

SATCO® | NUVO®

LED | LAMPS & DOWNLIGHT RETROFITS





Table of Contents

LED Filament (A-Type)	4 - 9
LED Filament (Decorative).....	10 - 25
LED Filament (Specialty/Carded)	26 - 35
Indicator and Sign Bulbs	36 - 37
LED CCT Selectable Bulbs (A-Type).....	38 - 39
A-Type 40W and 60W Replacements (Heat sink).....	40 - 45
Commercial Grade LED A19 Lamps.....	46 - 49
LED A19 Colors	50
LED A21 Lamp with Battery Backup	51
LED A19 Dusk to Dawn Lamps	52 - 53
A-Type 75W Incandescent Replacement Lamps.....	54 - 55
LED A19 Motion Sensor Lamps	56 - 57
A-Type 100W Incandescent Replacement Lamps.....	58 - 60
3-Way LED Lamps (A-Type)	61
Hi Wattage Incandescent Replacements (A-Type).....	62 - 63
Hi-Pro LED A-Lamps	64 - 67
LED T10 High Lumen Lamps	68
Specialty Lamps (including: Flame, Grow, Linear T10 and Squat Lamps)	69 - 73
BR30, BR40, R20 LED Lamps.....	74 - 79
LED Par Lamps	80 - 95
AR111, PAR16, MR, and Elevator Lamps.....	96 - 103
T3 and T4 Replacements	104 - 107
Downlight Retrofits	108 - 127
Hi-Pro LED Lamps (HID Replacements)	128 - 153
Pin Based CFL Replacements	154 - 162
Linear T8 and T5 Replacements (Types A and B)	163 - 189
Linear T8 Sign Lamps.....	190 - 191
LED U-Bend Lamps.....	192 - 196
Circline Lamps.....	197
Linear T8 and T5 Replacements (Type C).....	198 - 199
Linear T8 with Battery Backup.....	200 - 201
Emergency Drivers (Type B Lamps).....	202
Index	203-206



**50+ YEARS IN
BUSINESS**

**100% INDEPENDENT
PRIVATELY OWNED**

**15,000 +
PRODUCTS**

**2 MILLION SQ. FT
OF INVENTORY**

**6 WAREHOUSE
LOCATIONS**

SATCO® is your single source solution for all of your lighting needs. From emerging LED technologies to decorative fixtures and lighting components, we carry products for nearly every industry and application to our customers. Independent and privately owned for over 50 years, SATCO continues to grow because of our traditional values: trust, quality, loyalty and hard work. Agile in practice, unwavering in customer focus...

**...we deliver on product, promise
& partnership.**

Satco® has two lines of product to help you meet California's Building and Appliance codes:

Building Code (Title 24): The full line of Joint Appendix 8 (JA8) lamps are certified to the Title 24 2016 building code. These products will help you comply with the newest California residential building codes.

Appliance Code (Title 20): Lamps and Retrofit Kits are considered appliances in the California Code, and Title 20 is one of the most stringent in the country. Satco has a full line of products that are compliant with this code.

As an ongoing effort on behalf of Satco Products, Inc. to remain dedicated to the improvement of our products, we reserve the right to change specifications. The information contained in this specification guide is subject to change without notice. We cannot be responsible for typographical errors.

LED A15, A19 FILAMENT LAMPS



Features:

- 90 CRI
- 40-100W replacements
- High lumens & efficiency
- Clear and soft white options
- 4 CCT options
- Approved for enclosed fixtures
- Dimmable
- Long life



LED A15 FILAMENT LAMPS 40W, 60W REPLACEMENTS



A15/E12



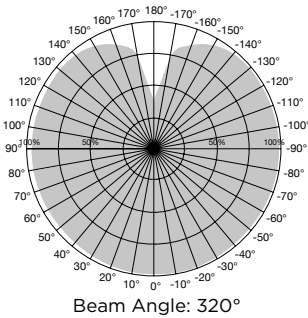
A15 FR



A15 SW



A15 CL



Item	Description	W	V	Bulb Shape	Base	Finish	CCT	Lm	CRI	MOL (in.)	MOD (in.)	Life (hrs.)	UPC	Pack
40 Watt Replacement														
S12400	5A15/CL/LED/927/120V	5	120	A15	E26	CL	2700K	450	90	3.39	1.89	15K	045923124006	24/6
S12401	5A15/CL/LED/930/120V	5	120	A15	E26	CL	3000K	450	90	3.39	1.89	15K	045923124013	24/6
S12402	5A15/CL/LED/940/120V	5	120	A15	E26	CL	4000K	450	90	3.39	1.89	15K	045923124020	24/6
S12403	5A15/CL/LED/950/120V	5	120	A15	E26	CL	5000K	450	90	3.39	1.89	15K	045923124037	24/6
S12404	5A15/SW/LED/927/120V	5	120	A15	E26	SW	2700K	450	90	3.39	1.89	15K	045923124044	24/6
S12405	5A15/SW/LED/930/120V	5	120	A15	E26	SW	3000K	450	90	3.39	1.89	15K	045923124051	24/6
40 Watt Replacement-Carded														
S21871	5.5A15/CL/LED/927/E12/2CD	5.5	120	A15	E12	CL	2700K	450	90	3.43	1.85	15K	045923218712	24/12
S21872**	5.5A15/CL/LED/927/E17/2CD	5.5	120	A15	E17	CL	2700K	450	90	3.43	1.85	15K	045923218729	24/12
S21873	5.5A15/CL/LED/927/E26/2CD	5.5	120	A15	E26	CL	2700K	450	90	3.39	1.85	15K	045923218736	24/12
S21874	5.5A15/FR/LED/927/E26/2CD	5.5	120	A15	E26	FR	2700K	450	90	3.39	1.85	15K	045923218743	24/12
60 Watt Replacement														
S12406	8.2A15/CL/LED/930/120V	8.2	120	A15	E26	CL	3000K	800	90	3.39	1.89	15K	045923124068	24/6
S12407	8.2A15/SW/LED/930/120V	8.2	120	A15	E26	SW	3000K	800	90	3.39	1.89	15K	045923124075	24/6

*See warranty for details at www.satco.com

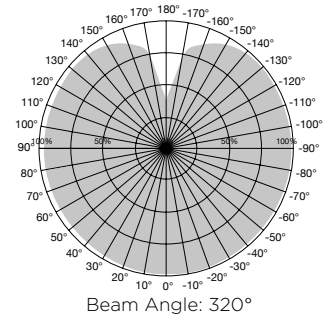
Product sheet SA2690

90 CRI LED A19 FILAMENT LAMPS 40W, 60W REPLACEMENTS



A19 SW

A19 CL



Item	Description	W	V	Bulb Shape	Base	Finish	CCT	Lm	CRI	MOL (in.)	MOD (in.)	Life (hrs.)	UPC	Pack
40W Replacement														
S12408	5A19/CL/LED/927/120V	5	120	A19	E26	CL	2700K	450	90	4.02	2.36	15K	045923124082	24/6
S12409	5A19/CL/LED/930/120V	5	120	A19	E26	CL	3000K	450	90	4.02	2.36	15K	045923124099	24/6
S12410	5A19/CL/LED/940/120V	5	120	A19	E26	CL	4000K	450	90	4.02	2.36	15K	045923124105	24/6
S12411	5A19/CL/LED/950/120V	5	120	A19	E26	CL	5000K	450	90	4.02	2.36	15K	045923124112	24/6
S12412	5A19/SW/LED/927/120V	5	120	A19	E26	SW	2700K	450	90	4.02	2.36	15K	045923124129	24/6
S12413	5A19/SW/LED/930/120V	5	120	A19	E26	SW	3000K	450	90	4.02	2.36	15K	045923124136	24/6
Multi-Pack														
S12460	5A19/CL/LED/927/4PK/120V	5	120	A19	E26	CL	2700K	450	90	4.33	2.36	15K	045923124600	12-4pk
S12461	5A19/CL/LED/930/4PK/120V	5	120	A19	E26	CL	3000K	450	90	4.33	2.36	15K	045923124617	12-4pk

*See warranty for details at www.satco.com

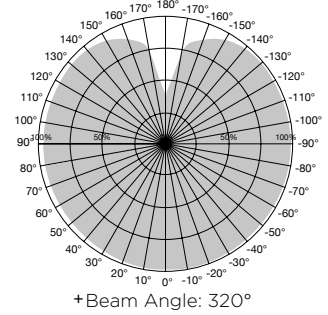
Product sheet SA2690



A19 FR

A19 CL

A19 SLV

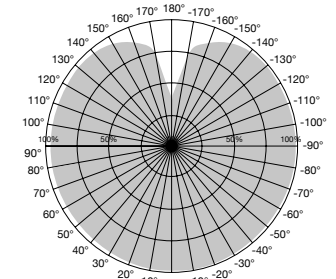


Item	Description	W	V	Bulb Shape	Base	Finish	CCT	Lm	CRI	MOL (in.)	MOD (in.)	Life (hrs.)	UPC	Pack
60 Watt Replacement														
S39879	8A19/CL/LED/927/120V	8	120	A19	E26	CL	2700K	800	90	4.13	2.38	15K	045923398797	24/6
S12414	8A19/CL/LED/927/120V	8	120	A19	E26	CL	2700K	800	90	4.02	2.36	15K	045923124143	24/6
S12415	8A19/CL/LED/930/120V	8	120	A19	E26	CL	3000K	800	90	4.02	2.36	15K	045923124150	24/6
S12416	8A19/CL/LED/935/120V	8	120	A19	E26	CL	3500K	800	90	4.02	2.36	15K	045923124167	24/6
S12417	8A19/CL/LED/940/120V	8	120	A19	E26	CL	4000K	800	90	4.02	2.36	15K	045923124174	24/6
S12418	8A19/CL/LED/950/120V	8	120	A19	E26	CL	5000K	800	90	4.02	2.36	15K	045923124181	24/6
S12419	8.2A19/SW/LED/927/120V	8.2	120	A19	E26	SW	2700K	800	90	4.02	2.36	15K	045923124198	24/6
S12420	8.2A19/SW/LED/930/120V	8.2	120	A19	E26	SW	3000K	800	90	4.02	2.36	15K	045923124204	24/6
S12421	6A19/SLV/LED/927/120V	6	120	A19	E26	SLVR CRWN	2700K	650	90	4.02	2.36	15K	045923124211	24/6
S11355	8A19/CL/LED/930/120V	8	12	A19	E26	CL	3000K	800	90	4.30	2.36	15K	045923113550	24/6
S11356	8A19/SW/LED/927/120V	8	120	A19	E26	SW	2700K	800	90	4.30	2.36	15K	045923113567	24/6
Multi-Pack														
S12462	8A19/CL/LED/927/4PK/120V	8	120	A19	E26	CL	2700K	800	90	4.33	2.36	15K	045923124624	12-4 Pks
S12463	8A19/CL/LED/930/4PK/120V	8	120	A19	E26	CL	3000K	800	90	4.33	2.36	15K	045923124631	12-4 Pks
S12464	8A19/CL/LED/940/4PK/120V	8	120	A19	E26	CL	4000K	800	90	4.33	2.36	15K	045923124648	12-4 Pks
S12465	8A19/CL/LED/950/4PK/120V	8	120	A19	E26	CL	5000K	800	90	4.33	2.36	15K	045923124655	12-4 Pks
S12466	8A19/SW/LED/927/4PK/120V	8	120	A19	E26	SW	2700K	800	90	4.33	2.36	15K	045923124662	12-4 Pks
S12467	8A19/SW/LED/930/4PK/120V	8	120	A19	E26	SW	3000K	800	90	4.33	2.36	15K	045923124679	12-4 Pks

*See warranty for details at www.satco.com. +Silver crown are 180° beam angle. ■T24/JA8. •Not Energy Star

Product sheet SA2690

90 CRI LED A19 FILAMENT LAMPS 75W, 100W REPLACEMENTS



A19 SW

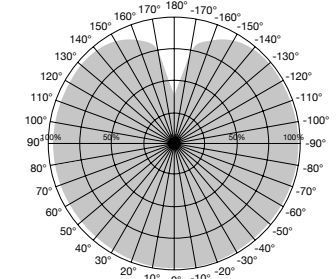
A19 CL

Beam Angle: 320°



Item	Description	W	V	Bulb Shape	Base	Finish	CCT	Lm	CRI	MOL (in.)	MOD (in.)	Life (hrs.)	UPC	Pack	
75W Replacement															
S12422	10.5A19/CL/LED/927/120V	10.5	120	A19	E26	CL	2700K	1100	90	4.02	2.36	15K	045923124228	24/6	
S12423	10.5A19/CL/LED/930/120V	10.5	120	A19	E26	CL	3000K	1100	90	4.02	2.36	15K	045923124235	24/6	
S12424	10.5A19/CL/LED/940/120V	10.5	120	A19	E26	CL	4000K	1100	90	4.02	2.36	15K	045923124242	24/6	
S12425	10.5A19/CL/LED/950/120V	10.5	120	A19	E26	CL	5000K	1100	90	4.02	2.36	15K	045923124259	24/6	
S12426	11A19/SW/LED/927/120V	11	120	A19	E26	SW	2700K	1100	90	4.02	2.36	15K	045923124266	24/6	
S12427	11A19/SW/LED/930/120V	11	120	A19	E26	SW	3000K	1100	90	4.02	2.36	15K	045923124273	24/6	
S12428	11A19/SW/LED/940/120V	11	120	A19	E26	SW	4000K	1100	90	4.02	2.36	15K	045923124280	24/6	
S11357i■	11A19/CL/LED/927/120V	11	120	A19	E26	CL	2700K	1100	90	4.30	2.36	15K	045923113574	24/6	
S11358i■	11A19/CL/LED/930/120V	11	120	A19	E26	CL	3000K	1100	90	4.30	2.36	15K	045923113581	24/6	
S11359i■	11A19/SW/LED/927/120V	11	120	A19	E26	SW	2700K	1100	90	4.30	2.36	15K	045923113598	24/6	
Multi-Pack															
S12436*	10.5A19/CL/LED/927/120V/4PK	10.5	120	A19	E26	CL	2700K	1100	90	4.02	2.36	15K	045923124365	12-4pks	
S12437*	10.5A19/CL/LED/930/120V/4PK	10.5	120	A19	E26	CL	3000K	1100	90	4.02	2.36	15K	045923124372	12-4pks	
S12438*	11A19/SW/LED/927/120V/4PK	11	120	A19	E26	SW	2700K	1100	90	4.02	2.36	15K	045923124389	12-4pks	
S12439*	11A19/SW/LED/930/120V/4PK	11	120	A19	E26	SW	3000K	1100	90	4.02	2.36	15K	045923124396	12-4pks	

See warranty for details at www.satco.com. Product sheet SA2690



A19 SW

A19 CL

Beam Angle: 320°



Item	Description	W	V	Bulb Shape	Base	Finish	CCT	Lm	CRI	MOL (in.)	MOD (in.)	Life (hrs.)	UPC	Pack	
100W Replacement															
S12429••	12.5A19/CL/LED/927/120V	12.5	120	A19	E26	CL	2700K	1500	90	4.41	2.36	15K	045923124297	24/6	
S12430••	12.5A19/CL/LED/930/120V	12.5	120	A19	E26	CL	3000K	1500	90	4.41	2.36	15K	045923124303	24/6	
S12431••	12.5A19/CL/LED/940/120V	12.5	120	A19	E26	CL	4000K	1500	90	4.41	2.36	15K	045923124310	24/6	
S12432••	12.5A19/CL/LED/950/120V	12.5	120	A19	E26	CL	5000K	1500	90	4.41	2.36	15K	045923124327	24/6	
S12433••	13.5A19/SW/LED/927/120V	13.5	120	A19	E26	SW	2700K	1500	90	4.41	2.36	15K	045923124334	24/6	
S12434••	13.5A19/SW/LED/930/120V	13.5	120	A19	E26	SW	3000K	1500	90	4.41	2.36	15K	045923124341	24/6	
S12435••	13.5A19/SW/LED/940/120V	13.5	120	A19	E26	SW	4000K	1500	90	4.41	2.36	15K	045923124358	24/6	
S11360i■	14A21/CL/LED/927/120V	14	120	A21	E26	CL	2700K	1600	90	5.00	2.76	15K	045923113604	24/6	
S11361i■	14A21/CL/LED/930/120V	14	120	A21	E26	CL	3000K	1600	90	5.00	2.76	15K	045923113611	24/6	
S11362i■	14A21/SW/LED/927/120V	14	120	A21	E26	SW	2700K	1600	90	5.00	2.76	15K	045923113628	24/6	
Multi-Pack															
S12442••	12.5A19/CL/LED/927/120V/4PK	12.5	120	A19	E26	CL	2700K	1500	90	4.41	2.36	15K	045923124426	12-4pks	
S12443••	12.5A19/CL/LED/930/120V/4PK	12.5	120	A19	E26	CL	3000K	1500	90	4.41	2.36	15K	045923124433	12-4pks	
S12440••	13.5A19/FR/LED/927/120V/4PK	13.5	120	A19	E26	SW	2700K	1500	90	4.41	2.36	15K	045923124402	12-4pks	
S12441••	13.5A19/FR/LED/930/120V/4PK	13.5	120	A19	E26	SW	3000K	1500	90	4.41	2.36	15K	045923124419	12-4pks	

*See warranty for details at www.satco.com. ■T24/JA8. ••Not Energy Star

Product sheet SA2690

RESIDENTIAL AND COMMERCIAL HIGH LUMEN FILAMENT LAMPS



Features:

- Replaces up to 200W incandescent
- Improved lumens per watt—higher efficiency
- LED Filament and glass envelope construction
- Dimmable*
- Wet location
- T20 Compliant†
- 3 year warranty



RESIDENTIAL AND COMMERCIAL HIGH LUMEN FILAMENT LAMPS



Item	Description	W	Bulb Shape	V	Base	Finish	CCT	Lm	CRI	Life/Hrs.	MOL (in.)	UPC	Pack
125 Watt Replacement													
S12444**	17A21/FR/LED/E26/930/120V	17	A21	120	E26	FR	3000	2000	90	15,000	5.2	045923124440	24/12
S12445**	17A21/FR/LED/E26/940/120V	17	A21	120	E26	FR	4000	2000	90	15,000	5.2	045923124457	24/12
S12446**	17A21/FR/LED/E26/950/120V	17	A21	120	E26	FR	5000	2000	90	15,000	5.2	045923124464	24/12
150 Watt Replacement													
S12447*	18.5A21/FR/LED/E26/830/120V	18.5	A21	120	E26	FR	3000	2610	80	15,000	5.2	045923124471	24/12
S12448*	18.5A21/FR/LED/E26/840/120V	18.5	A21	120	E26	FR	4000	2610	80	15,000	5.2	045923124488	24/12
S12449*	18.5A21/FR/LED/E26/850/120V	18.5	A21	120	E26	FR	5000	2610	80	15,000	5.2	045923124495	24/12
200 Watt Replacement													
S12450	21A23/FR/LED/E26/830/120V/ND	21	A23	120	E26	FR	3000	2900	80	15,000	5.6	045923124501	24/12
S12451	21A23/FR/LED/E26/840/120V/ND	21	A23	120	E26	FR	4000	2900	80	15,000	5.6	045923124518	24/12
S12452	21A23/FR/LED/E26/850/120V/ND	21	A23	120	E26	FR	5000	2900	80	15,000	5.6	045923124525	24/12

Product sheet SA2919

DECORATIVE LED FILAMENT LAMPS



Features:

- LED with a traditional incandescent look and feel
- Omni-directional light source
- Dimmable
- Wet location
- Approved for totally enclosed fixtures^
- c-UL-us or c-ETL-us listed
- CEC T20
- ENERGY STAR certified
- 3 year warranty



LED FILAMENT LAMPS GLOBES - G25 40W & 60W REPLACEMENTS

Features:

- LED with a traditional incandescent look and feel
- Omni-directional light source
- Dimmable
- Wet location
- Approved for totally enclosed fixtures[^]
- c-UL-us or c-ETL-us listed
- CEC T20
- ENERGY STAR certified
- 3 year warranty



G25 Clear

G25 White

G25 Silver Crown



Item	Description	W	V	Bulb Shape	Base	Finish	CCT	Lm	CRI	MOL (in.)	MOD (in.)	Life (hrs.)	UPC	Pack
40 Watt Replacement														
S21226	4.5G25/LED/CL/927/120V	4.5	120	G25	E26	CL	2700K	350	90	4.45	3.15	15K	045923205415	24/6
S21227	4.5G25/LED/CL/930/120V	4.5	120	G25	E26	CL	3000K	350	90	4.45	3.15	15K	045923205422	24/6
S21228	4.5G25/LED/CL/940/120V	4.5	120	G25	E26	CL	4000K	350	90	4.45	3.15	15K	045923205439	24/6
S21229	4.5G25/LED/CL/950/120V	4.5	120	G25	E26	CL	5000K	350	90	4.45	3.15	15K	045923205446	24/6
S21230	4.5G25/LED/WH/927/120V	4.5	120	G25	E26	WH	2700K	350	90	4.45	3.15	15K	045923205453	24/6
S21231	4.5G25/LED/WH/930/120V	4.5	120	G25	E26	WH	3000K	350	90	4.45	3.15	15K	045923205460	24/6
S21232	4.5G25/LED/WH/940/120V	4.5	120	G25	E26	WH	4000K	350	90	4.45	3.15	15K	045923205477	24/6
S21233	4.5G25/LED/WH/950/120V	4.5	120	G25	E26	WH	5000K	350	90	4.45	3.15	15K	045923205484	24/6
S9828•••	4.5G25/SLV/LED/827/120V	4.5	120	G25	E26	SLVR CRWN	2700K	450	80	4.45	3.15	15K	045923098284	24/6
Multi-Pack														
S21242	4.5G25/LED/CL/927/120V/2PK	4.5	120	G25	E26	CL	2700K	350	90	4.45	3.15	15K	045923205576	24/2pks
S21243	4.5G25/LED/CL/930/120V/2PK	4.5	120	G25	E26	CL	3000K	350	90	4.45	3.15	15K	045923205583	24/2pks
S21244	4.5G25/LED/WH/927/120V/2PK	4.5	120	G25	E26	WH	2700K	350	90	4.45	3.15	15K	045923205590	24/2pks
60 Watt Replacement														
S29878†	5.5G25/LED/CL/927/120V	5.5	120	G25	E26	CL	2700K	500	90	4.45	3.15	15K	045923298783	24/6
S21234	6G25/LED/CL/927/120V	6	120	G25	E26	CL	2700K	500	90	4.45	3.15	15K	045923205491	24/6
S21235	6G25/LED/CL/930/120V	6	120	G25	E26	CL	3000K	500	90	4.45	3.15	15K	045923205507	24/6
S21236	6G25/LED/CL/940/120V	6	120	G25	E26	CL	4000K	500	90	4.45	3.15	15K	045923205514	24/6
S21237	6G25/LED/CL/950/120V	6	120	G25	E26	CL	5000K	500	90	4.45	3.15	15K	045923205521	24/6
S21238	6G25/LED/WH/927/120V	6	120	G25	E26	WH	2700K	500	90	4.45	3.15	15K	045923205538	24/6
S21239	6G25/LED/WH/930/120V	6	120	G25	E26	WH	3000K	500	90	4.45	3.15	15K	045923205545	24/6
S21240	6G25/LED/WH/940/120V	6	120	G25	E26	WH	4000K	500	90	4.45	3.15	15K	045923205552	24/6
S21241	6G25/LED/WH/950/120V	6	120	G25	E26	WH	5000K	500	90	4.45	3.15	15K	045923205569	24/6
Multi-Pack														
S21245	6G25/LED/CL/927/120V/2PK	6	120	G25	E26	CL	2700K	500	90	4.45	3.15	15K	045923205606	24/2pks
S21246	6G25/LED/CL/930/120V/2PK	6	120	G25	E26	CL	3000K	500	90	4.45	3.15	15K	045923205613	24/2pks
S21247	6G25/LED/WH/927/120V/2PK	6	120	G25	E26	WH	2700K	500	90	4.45	3.15	15K	045923205620	24/2pks

[^]See warranty for details at www.satco.com. †Damp Rated. •Not T20. ••Not Energy Star

LED FILAMENT LAMPS GLOBES - G40 40W & 60W REPLACEMENTS

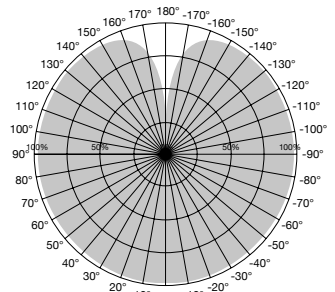
Features:

- LED with a traditional incandescent look and feel
- Omni-directional light source
- Dimmable
- Wet location
- Approved for totally enclosed fixtures ^
- c-UL-us or c-ETL-us listed
- CEC T20
- ENERGY STAR certified
- 3 year warranty



G40 Clear

G40 White



Beam Angle: 300°-320°



Item	Description	W	V	Bulb Shape	Base	Finish	CCT	Lm	CRI	MOL (in.)	MOD (in.)	Life (hrs.)	UPC	Pack
40 Watt Replacement														
S21248	4G40/CL/LED/E26/927/120V	4	120	G40	E26	CL	2700K	350	90	6.54	4.88	15K	045923205637	24/6
S21249	4G40/CL/LED/E26/940/120V	4	120	G40	E26	CL	4000K	350	90	6.54	4.88	15K	045923205644	24/6
S21250	4.5G40/WH/LED/E26/927/120V	4.5	120	G40	E26	WH	2700K	350	90	6.54	4.88	15K	045923205651	24/6
S21251	4.5G40/WH/LED/E26/940/120V	4.5	120	G40	E26	WH	4000K	350	90	6.54	4.88	15K	045923205668	24/6
60 Watt Replacement														
S21252	6G40/CL/LED/E26/927/120V	6	120	G40	E26	CL	2700K	500	90	6.54	4.88	15K	045923205675	24/6
S21253	6G40/CL/LED/E26/930/120V	6	120	G40	E26	CL	3000K	500	90	6.54	4.88	15K	045923205682	24/6
S21254	6G40/CL/LED/E26/940/120V	6	120	G40	E26	CL	4000K	500	90	6.54	4.88	15K	045923205699	24/6
S21255	6G40/WH/LED/E26/927/120V	6	120	G40	E26	WH	2700K	500	90	6.54	4.88	15K	045923205705	24/6
S21256	6G40/WH/LED/E26/930/120V	6	120	G40	E26	WH	3000K	500	90	6.54	4.88	15K	045923205712	24/6
S21257	6G40/WH/LED/E26/940/120V	6	120	G40	E26	WH	4000K	500	90	6.54	4.88	15K	045923205729	24/6
100 Watt Replacement														
S21258**	8G40/CL/LED/E26/930/120V	8	120	G40	E26	CL	3000K	800	90	6.54	4.88	15K	045923205736	24/6
S21259**	8G40/CL/LED/E26/940/120V	8	120	G40	E26	CL	4000K	800	90	6.54	4.88	15K	045923205743	24/6
S21260	8G40/WH/LED/E26/930/120V	8	120	G40	E26	WH	3000K	800	90	6.54	4.88	15K	045923205750	24/6
S21261	8G40/WH/LED/E26/940/120V	8	120	G40	E26	WH	4000K	800	90	6.54	4.88	15K	045923205767	24/6

**See warranty for details at www.satco.com

Product sheet SA1980

LED FILAMENT LAMPS DECORATIVE - CANDELABRA BASE/TORPEDO SHAPE



Features:

- High lumen decorative lamps
- Filament style LED with a traditional incandescent look and feel
- Omni-directional light source
- Dimmable
- Wet location
- Approved for totally enclosed fixtures^
- c-UL-us or c-ETL-us listed
- CEC T20
- ENERGY STAR certified
- 3 year warranty



B11 Clear



B11 Frost



LED CANDELABRA DUSK-TO-DAWN



Features:

Built-in photocell sensor ensures that these bulbs automatically turn on at dusk and off at dawn, making them energy efficient and low maintenance

Enhance safety and security with lights that turn ON only when it's dark enough to be needed

Clear glass bulb with internal filaments for a classic look with updated energy savings

Available in 2700K and 5000K CCT options for warm or natural illumination, improving safety and ambiance

LED CANDELABRA DUSK-TO-DAWN



Item	Description	W	V	Bulb Shape	Base	CCT	Lm	MOL (in.)	MOD (in.)	Life/Hrs.	UPC	Pack
60 Watt Replacement												
S11477	5B11/DUSK/DAWN/927	5	120	B11	E12	2700K	500	4.02	1.38	15,000	045923114779	48/12
S11478	5B11/DUSK/DAWN/950	5	120	B11	E12	5000K	500	4.02	1.38	15,000	045923114786	48/12

Product sheet SA2929

LED FILAMENT LAMPS DECORATIVE - MEDIUM BASE/TORPEDO



Features:

- LED with a traditional incandescent look and feel
- Omni-directional light source
- Dimmable
- Wet location
- Approved for totally enclosed fixtures ^
- c-UL-us or c-ETL-us listed
- CEC T20
- ENERGY STAR certified
- 3 year warranty



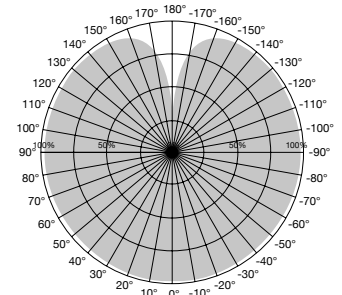
LED FILAMENT LAMPS DECORATIVE - MEDIUM BASE/TORPEDO



B11 Clear



B11 Frost



Beam Angle: 300°



Item	Description	W	V	Bulb Shape	Base	Finish	CCT	Lm	CRI	MOL (in.)	MOD (in.)	Life (hrs.)	UPC	Pack
25 Watt Replacement														
S21282	3B11/LED/927/CL/120V/E26	3	120	B11	E26	CL	2700K	250	90	3.58	1.38	15K	045923205972	24/6
S21283	3B11/LED/927/FR/120V/E26	3	120	B11	E26	FR	2700K	250	90	3.58	1.38	15K	045923205989	24/6
25 Watt Replacement E26-Carded														
S21832	3B11/LED/927/CL/120V/E26/2CD	3	120	B11	E26	CL	2700K	250	90	3.58	1.38	15K	045923218323	24/12
S21833	3B11/LED/927/FR/120V/E26/2CD	3	120	B11	E26	FR	2700K	250	90	3.58	1.38	15K	045923218330	24/12
40 Watt Replacement														
S21284	4B11/LED/927/CL/120V/E26	4	120	B11	E26	CL	2700K	350	90	3.58	1.38	15K	045923205996	24/6
S21285	4B11/LED/930/CL/120V/E26	4	120	B11	E26	CL	3000K	350	90	3.58	1.38	15K	045923206009	24/6
S21286	4B11/LED/940/CL/120V/E26	4	120	B11	E26	CL	4000K	350	90	3.58	1.38	15K	045923206016	24/6
S21287	4B11/LED/927/FR/120V/E26	4	120	B11	E26	FR	2700K	350	90	3.58	1.38	15K	045923206023	24/6
S21288	4B11/LED/930/FR/120V/E26	4	120	B11	E26	FR	3000K	350	90	3.58	1.38	15K	045923206030	24/6
S21289	4B11/LED/940/FR/120V/E26	4	120	B11	E26	FR	4000K	350	90	3.58	1.38	15K	045923206047	24/6
40 Watt Replacement Carded														
S21368	4B11/LED/927/CL/120V/E26/3PK	4	120	B11	E26	CL	2700K	350	90	3.58	1.38	15K	045923206757	24/6
S21369	4B11/LED/930/CL/120V/E26/3PK	4	120	B11	E26	CL	3000K	350	90	3.58	1.38	15K	045923206764	24/6
S21879	4B11/LED/950/CL/120V/E26/2CD	4	120	B11	E26	CL	5000K	350	90	3.58	1.38	15K	045923218798	24/12
S21880	4B11/LED/950/FR/120V/E26/2CD	4	120	B11	E26	FR	5000K	350	90	3.58	1.38	15K	045923218804	24/12
Multi-Pack														
S21834	4B11/LED/927/CL/120V/E26/2CD	4	120	B11	E26	CL	2700K	350	90	3.58	1.38	15K	045923218347	24/12
S21835	4B11/LED/930/CL/120V/E26/2CD	4	120	B11	E26	CL	3000K	350	90	3.58	1.38	15K	045923218354	24/12
S21836	4B11/LED/927/FR/120V/E26/2CD	4	120	B11	E26	FR	2700K	350	90	3.58	1.38	15K	045923218361	24/12
60 Watt Replacement														
S21290	5.5B11/LED/927/CL/120V/E26	5.5	120	B11	E26	CL	2700K	500	90	3.58	1.38	15K	045923206054	24/6
S21291	5.5B11/LED/940/CL/120V/E26	5.5	120	B11	E26	CL	4000K	500	90	3.58	1.38	15K	045923206061	24/6
S21292	5.5B11/LED/927/FR/120V/E26	5.5	120	B11	E26	FR	2700K	500	90	3.58	1.38	15K	045923206078	24/6
S21293	5.5B11/LED/940/FR/120V/E26	5.5	120	B11	E26	FR	4000K	500	90	3.58	1.38	15K	045923206085	24/6
60 Watt Replacement Carded														
S21837	5.5B11/LED/927/CL/120V/E26/2CD	5.5	120	B11	E26	CL	2700K	500	90	3.58	1.38	15K	045923218378	24/12
S21881	5.5B11/LED/950/CL/120V/E26/2CD	5.5	120	B11	E26	CL	5000K	500	90	3.58	1.38	15K	045923218811	24/12
S21838	5.5B11/LED/927/FR/120V/E26/2CD	5.5	120	B11	E26	FR	2700K	500	90	3.58	1.38	15K	045923218385	24/12
S21882	5.5B11/LED/950/FR/120V/E26/2CD	5.5	120	B11	E26	FR	5000K	500	90	3.58	1.38	15K	045923218828	24/12

*See warranty for details at www.satco.com

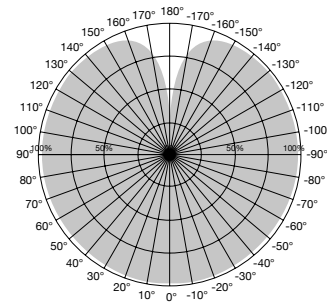
Product sheet SA1980

LED FILAMENT LAMPS DECORATIVE-FLAME TIP



Features:

- LED with a traditional incandescent look and feel
- Omni-directional light source
- Dimmable
- Wet location
- Approved for totally enclosed fixtures ^
- c-ETL-us listed
- CEC T20
- ENERGY STAR certified
- 3 year warranty



Beam Angle: 300°



LED FILAMENT LAMPS DECORATIVE-FLAME TIP



CA10 E12 Clear

CA10 E12 Frost



Item	Description	W	V	Bulb Shape	Base	Finish	CCT	Lm	CRI	MOL (in.)	MOD (in.)	Life (hrs.)	UPC	Pack
25 Watt Replacement														
S21294	3CA10/LED/927/CL/120V/E12	3	120	CA10	E12	CL	2700K	200	90	4.72	1.38	15K	045923206092	24/6
S21295	3CA10/LED/927/FR/120V/E12	3	120	CA10	E12	FR	2700K	200	90	4.72	1.38	15K	045923206108	24/6
25 Watt Replacement E12-Carded														
S21839	3CA10/LED/927/CL/120V/E12/2CD	3	120	CA10	E12	CL	2700K	200	90	4.72	1.38	15K	045923218392	24/12
40 Watt Replacement														
S21296	4CA10/LED/927/CL/120V/E12	4	120	CA10	E12	CL	2700K	350	90	4.72	1.38	15K	045923206115	24/6
S21297	4CA10/LED/930/CL/120V/E12	4	120	CA10	E12	CL	3000K	350	90	4.72	1.38	15K	045923206122	24/6
S21298	4CA10/LED/940/CL/120V/E12	4	120	CA10	E12	CL	4000K	350	90	4.72	1.38	15K	045923206139	24/6
S21299	4CA10/LED/950/CL/120V/E12	4	120	CA10	E12	CL	5000K	350	90	4.72	1.38	15K	045923206146	24/6
S21300	4CA10/LED/927/FR/120V/E12	4	120	CA10	E12	FR	2700K	350	90	4.72	1.38	15K	045923206153	24/6
S21301	4CA10/LED/930/FR/120V/E12	4	120	CA10	E12	FR	3000K	350	90	4.72	1.38	15K	045923206160	24/6
S21302	4CA10/LED/940/FR/120V/E12	4	120	CA10	E12	FR	4000K	350	90	4.72	1.38	15K	045923206177	24/6
S21303	4CA10/LED/950/FR/120V/E12	4	120	CA10	E12	FR	5000K	350	90	4.72	1.38	15K	045923206184	24/6
40 Watt Replacement-Carded														
S21840	4CA10/LED/927/CL/120V/E12/2CD	4	120	CA10	E12	CL	2700K	350	90	4.72	1.38	15K	045923218408	24/12
S21841	4CA10/LED/930/CL/120V/E12/2CD	4	120	CA10	E12	CL	3000K	350	90	4.72	1.38	15K	045923218415	24/12
S21842	4CA10/LED/950/CL/120V/E12/2CD	4	120	CA10	E12	CL	5000K	350	90	4.72	1.38	15K	045923218422	24/12
S21843	4CA10/LED/927/FR/120V/E12/2CD	4	120	CA10	E12	FR	2700K	350	90	4.72	1.38	15K	045923218439	24/12
S21844	4CA10/LED/930/FR/120V/E12/2CD	4	120	CA10	E12	FR	3000K	350	90	4.72	1.38	15K	045923218446	24/12
S21845	4CA10/LED/950/FR/120V/E12/2CD	4	120	CA10	E12	FR	5000K	350	90	4.72	1.38	15K	045923218453	24/12
60 Watt Replacement														
S21304	5.5CA10/LED/927/CL/120V/E12	5.5	120	CA10	E12	CL	2700K	500	90	4.72	1.38	15K	045923206191	24/6
S21305	5.5CA10/LED/930/CL/120V/E12	5.5	120	CA10	E12	CL	3000K	500	90	4.72	1.38	15K	045923206207	24/6
S21306	5.5CA10/LED/940/CL/120V/E12	5.5	120	CA10	E12	CL	4000K	500	90	4.72	1.38	15K	045923206214	24/6
S21307	5.5CA10/LED/927/FR/120V/E12	5.5	120	CA10	E12	FR	2700K	500	90	4.72	1.38	15K	045923206221	24/6
S21308	5.5CA10/LED/930/FR/120V/E12	5.5	120	CA10	E12	FR	3000K	500	90	4.72	1.38	15K	045923206238	24/6
S21309	5.5CA10/LED/940/FR/120V/E12	5.5	120	CA10	E12	FR	4000K	500	90	4.72	1.38	15K	045923206245	24/6
60 Watt Replacement-Carded														
S21846	5.5CA10/LED/927/CL/120V/E12/2CD	5.5	120	CA10	E12	CL	2700K	500	90	4.72	1.38	15K	045923218460	24/12
S21883	5.5CA10/LED/950/CL/120V/E12/2CD	5.5	120	CA10	E12	CL	5000K	500	90	4.72	1.38	15K	045923218835	24/12
S21847	5.5CA10/LED/927/FR/120V/E12/2CD	5.5	120	CA10	E12	FR	2700K	500	90	4.72	1.38	15K	045923218477	24/12
S21884	5.5CA10/LED/950/FR/120V/E12/2CD	5.5	120	CA10	E12	FR	5000K	500	90	4.72	1.38	15K	045923218842	24/12

*See warranty for details at www.satco.com

LED FILAMENT LAMPS DECORATIVE - MEDIUM BASE FLAME TIP



Features:

- LED with a traditional incandescent look and feel
- Omni-directional light source
- Dimmable
- Wet location
- Approved for totally enclosed fixtures ^
- c-ETL-us listed
- CEC T20
- ENERGY STAR certified
- 3 year warranty



LED FILAMENT LAMPS DECORATIVE - MEDIUM BASE FLAME TIP



CA11 E26 Clear

CA11 E26 Frost



Item	Description	W	V	Bulb Shape	Base	Finish	CCT	Lm	CRI	MOL (in.)	MOD (in.)	Life (hrs.)	UPC	Pack
25 Watt Replacement														
S21310	3CA10/LED/927/CL/120V/E26	3	120	CA10	E26	CL	2700K	250	90	4.33	1.38	15K	045923206252	24/6
S21311	3CA10/LED/927/FR/120V/E26	3	120	CA10	E26	FR	2700K	250	90	4.33	1.38	15K	045923206269	24/6
25 Watt Replacement-Carded														
S21848	3CA10/LED/927/CL/120V/E26/2CD	3	120	CA10	E26	CL	2700K	250	90	4.33	1.38	15K	045923218484	24/12
40 Watt Replacement														
S21312	4CA10/LED/927/CL/120V/E26	4	120	CA10	E26	CL	2700K	350	90	4.33	1.38	15K	045923206276	24/6
S21313	4CA10/LED/930/CL/120V/E26	4	120	CA10	E26	CL	3000K	350	90	4.33	1.38	15K	045923206283	24/6
S21314	4CA10/LED/940/CL/120V/E26	4	120	CA10	E26	CL	4000K	350	90	4.33	1.38	15K	045923206290	24/6
S21315	4CA10/LED/927/FR/120V/E26	4	120	CA10	E26	FR	2700K	350	90	4.33	1.38	15K	045923206306	24/6
S21316	4CA10/LED/930/FR/120V/E26	4	120	CA10	E26	FR	3000K	350	90	4.33	1.38	15K	045923206313	24/6
S21317	4CA10/LED/940/FR/120V/E26	4	120	CA10	E26	FR	4000K	350	90	4.33	1.38	15K	045923206320	24/6
40 Watt Replacement-Carded														
S21849	4CA10/LED/927/CL/120V/E26/2CD	4	120	CA10	E26	CL	2700K	350	90	4.33	1.38	15K	045923218491	24/12
S21850	4CA10/LED/930/CL/120V/E26/2CD	4	120	CA10	E26	CL	3000K	350	90	4.33	1.38	15K	045923218507	24/12
S21885	4CA10/LED/950/CL/120V/E26/2CD	4	120	CA10	E26	CL	5000K	350	90	4.33	1.38	15K	045923218859	24/12
S21851	4CA10/LED/927/FR/120V/E26/2CD	4	120	CA10	E26	FR	2700K	350	90	4.33	1.38	15K	045923218514	24/12
S21886	4CA10/LED/950/FR/120V/E26/2CD	4	120	CA10	E26	FR	5000K	350	90	4.33	1.38	15K	045923218866	24/12
60 Watt Replacement														
S21318	5.5CA10/LED/927/CL/120V/E26	5.5	120	CA10	E26	CL	2700K	500	90	4.33	1.38	15K	045923206337	24/6
S21319	5.5CA10/LED/940/CL/120V/E26	5.5	120	CA10	E26	CL	4000K	500	90	4.33	1.38	15K	045923206344	24/6
S21320	5.5CA10/LED/927/FR/120V/E26	5.5	120	CA10	E26	FR	2700K	500	90	4.33	1.38	15K	045923206351	24/6
S21321	5.5CA10/LED/940/FR/120V/E26	5.5	120	CA10	E26	FR	4000K	500	90	4.33	1.38	15K	045923206368	24/6
60 Watt Replacement-Carded														
S21852	5.5CA10/LED/927/CL/120V/E26/2CD	5.5	120	CA10	E26	CL	2700K	500	90	4.33	1.38	15K	045923218521	24/12
S21887	5.5CA10/LED/950/CL/120V/E26/2CD	5.5	120	CA10	E26	WH	5000K	500	90	4.33	1.38	15K	045923218873	24/12
S21853	5.5CA10/LED/927/FR/120V/E26/2CD	5.5	120	CA10	E26	FR	2700K	500	90	4.33	1.38	15K	045923218538	24/12
S21888	5.5CA10/LED/950/FR/120V/E26/2CD	5.5	120	CA10	E26	FR	5000K	500	90	4.33	1.38	15K	045923218880	24/12

*See warranty for details at www.satco.com

SATCO-ESCENT® LED LAMPS



Features:

- 2 Watt LED direct replacement for 25 watt incandescent lamps
- 4 Watt LED direct replacement for 40 watt incandescent lamps
- Unique satin-spun white or amber finish
- Dimmable
- Carded versions for peg board merchandising
- LED filament technology
- Approved for totally enclosed fixtures ^
- Long life—15,000 hours
- 3 year warranty



SATCO-ESCENT LED LAMPS

Satin Finish



S23403,
S22703

S11300, S11302,
S11304, S11306

S23413,
S22713

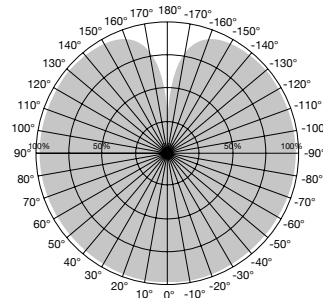
Amber Finish



S23407,
S22707

S11301, S11303,
S11305, S11307

S23412,
S22712



300° Illumination



Item	Description	W	V	Bulb Shape	Base	Finish	CCT	Lm	CRI	MOL (in.)	MOD (in.)	Life (hrs.)	UPC	Pack
Boxed														
S11300	2CA11/LED/SA/E12/27K/120V	2	120	CA11	E12	SPUN STN	2700K	150	80	4.00	1.38	15K	045923113000	24/6
S11301	2CA11/LED/A/E12/21K/120V	2	120	CA11	E12	SPUN AMB	2100K	100	80	4.00	1.38	15K	045923113017	24/6
S11302	4CA11/LED/SA/E12/27K/120V	4	120	CA11	E12	SPUN STN	2700K	300	80	4.00	1.38	15K	045923113024	24/6
S11303	4CA11/LED/A/E12/21K/120V	4	120	CA11	E12	SPUN AMB	2100K	200	80	4.00	1.38	15K	045923113031	24/6
S23403	2C11/LED/SA/E26/27K/120V	2	120	C11	E26	SPUN STN	2700K	120	80	3.81	1.38	15K	045923234033	24/6
S23407	2C11/LED/A/E26/21K/120V	2	120	C11	E26	SPUN AMB	2100K	100	80	3.81	1.38	15K	045923234071	24/6
S23413	4C15/LED/SA/E26/27K/120V	4	120	C15	E26	SPUN STN	2700K	300	80	4.38	1.88	15K	045923234132	24/6
S23412	4C15/LED/A/E26/21K/120V	4	120	C15	E26	SPUN AMB	2100K	240	80	4.38	1.88	15K	045923234125	24/6
Carded														
S11304	2CA11/LED/SA/E12/27K/120V/CD	2	120	CA11	E12	SPUN STN	2700K	150	80	4.00	1.38	15K	045923113048	24/12
S11305	2CA11/LED/A/E12/21K/120V/CD	2	120	CA11	E12	SPUN AMB	2100K	100	80	4.00	1.38	15K	045923113055	24/12
S11306	4CA11/LED/SA/E12/27K/120V/CD	4	120	CA11	E12	SPUN STN	2700K	300	80	4.00	1.38	15K	045923113062	24/12
S11307	4CA11/LED/A/E12/21K/120V/CD	4	120	CA11	E12	SPUN AMB	2100K	200	80	4.00	1.38	15K	045923113079	24/12
S22703	2C11/LED/SA/E26/27K/120V/CD	2	120	C11	E26	SPUN STN	2700K	120	80	3.81	1.38	15K	045923227035	24/12
S22707	2C11/LED/A/E26/21K/120V/CD	2	120	C11	E26	SPUN AMB	2100K	100	80	3.81	1.38	15K	045923227073	24/12
S22713	4C15/LED/SA/E26/27K/120V/CD	4	120	C15	E26	SPUN STN	2700K	300	80	4.38	1.88	15K	045923227134	24/12
S22712	4C15/LED/A/E26/21K/120V/CD	4	120	C15	E26	SPUN AMB	2100K	240	80	4.38	1.88	15K	045923227127	24/12

*See warranty for details at www.satco.com

LED FILAMENT SPECIALTY LAMPS

Features:

- LED with a traditional incandescent look and feel
- Omni-directional light source
- Dimmable
- Wet location
- Approved for totally enclosed fixtures*
- c-ETL-us listed
- CEC T20
- ENERGY STAR certified
- 3 year warranty



Item	Description	W	V	Bulb Shape	Base	Finish	CCT	Lm	CRI	MOL (in.)	MOD (in.)	Life (hrs.)	UPC	Pack	
7 Watt Replacement															
S11308	0.7W/C7/CL/LED/120V/2CD	7	120V	C7	E12	CL	2700	30	80	2.13	0.84	15K	045923113086	24/12	
Tubular-Carded															
S21859	3T6.5/LED/CL/927/E17/2CD	3	120V	T6	E17	CL	2700	200	90	2.2	0.86	15K	045923218590	24/12	
BT15															
40 Watt Replacement															
S21330*	5BT15/CL/LED/927/120V	5	120	BT15	E26	CL	2700K	450	90	4.06	1.81	15K	045923206375	24/6	
S21331*	5BT15/CL/LED/940/120V	5	120	BT15	E26	CL	4000K	450	90	4.06	1.81	15K	045923206382	24/6	
S21332*	5BT15/WH/LED/927/120V	5	120	BT15	E26	WH	2700K	450	90	4.06	1.81	15K	045923206399	24/6	
S21333*	5BT15/WH/LED/940/120V	5	120	BT15	E26	WH	4000K	450	90	4.06	1.81	15K	045923206405	24/6	
40 Watt Replacement-Carded															
S21854	5BT15/CL/LED/927/120V/2CD	5	120	BT15	E26	CL	2700K	450	90	4.06	1.81	15K	045923218545	24/12	
S21855	5BT15/WH/LED/927/120V/2CD	5	120	BT15	E26	WH	2700K	450	90	4.06	1.81	15K	045923218552	24/12	
60 Watt Replacement															
S21334	8BT15/CL/LED/927/120V	8	120	BT15	E26	CL	2700K	800	90	4.06	1.81	15K	045923206412	24/6	
S21335	8BT15/CL/LED/940/120V	8	120	BT15	E26	CL	4000K	800	90	4.06	1.81	15K	045923206429	24/6	
S21336	8BT15/CL/LED/950/120V	8	120	BT15	E26	CL	5000K	800	90	4.06	1.81	15K	045923206436	24/6	
S21337	8BT15/WH/LED/927/120V	8	120	BT15	E26	WH	2700K	800	90	4.06	1.81	15K	045923206443	24/6	
S21338	8BT15/WH/LED/940/120V	8	120	BT15	E26	WH	4000K	800	90	4.06	1.81	15K	045923206450	24/6	
S21339	8BT15/WH/LED/950/120V	8	120	BT15	E26	WH	5000K	800	90	4.06	1.81	15K	045923206467	24/6	
60 Watt Replacement-Carded															
S21856	8BT15/CL/LED/927/120V/2CD	8	120	BT15	E26	CL	2700K	800	90	4.06	1.81	15K	045923218569	24/12	
S21857	8BT15/WH/LED/927/120V/2CD	8	120	BT15	E26	WH	2700K	800	90	4.06	1.81	15K	045923218576	24/12	
Tubular															
T6 - 25 Watt Replacement															
S21340	2.8T6/LED/CL/927/120V/E12	2.8	120	T6	E12	CL	2700K	200	90	3.2	0.98	15K	045923206474	24/6	
S21341	2.8T6/LED/CL/940/120V/E12	2.8	120	T6	E12	CL	4000K	200	90	3.2	0.98	15K	045923206481	24/6	
Tubular-Carded															
S21858	2.8T6/LED/CL/927/120V/E12/2CD	2.8	120	T6	E12	CL	2700K	200	90	3.27	0.98	15K	045923218583	24/12	
T6.5 - 25 Watt Replacement															
S21342	3T6.5/LED/CL/927/E17	3	120	T6.5	E17	CL	2700K	200	90	2.17	0.87	15K	045923206498	24/6	
S21343	3T6.5/LED/CL/930/E17	3	120	T6.5	E17	CL	3000K	200	90	2.17	0.87	15K	045923206504	24/6	

LED FILAMENT SPECIALTY LAMPS

Item	Description	W	V	Bulb Shape	Base	Finish	CCT	Lm	CRI	MOL (in.)	MOD (in.)	Life (hrs.)	UPC	Pack
T6.5 - 40 Watt Replacement														
S21370	4T6.5/LED/CL/930/120V	4	120	T6.5	E17	CL	3000K	400	90	5.12	0.79	15K	045923231704	24/12
S21371	4T6.5/LED/CL/940/120V	4	120	T6.5	E17	CL	4000K	400	90	5.12	0.79	15K	045923231711	24/12
S21372	4T6.5/LED/FR/930/120V	4	120	T6.5	E17	FR	3000K	360	90	5.12	0.79	15K	045923231728	24/12
S21373	4T6.5/LED/FR/940/120V	4	120	T6.5	E17	FR	4000K	360	90	5.12	0.79	15K	045923231735	24/12
S21374	4T6.5/LED/CL/930/120V	4	120	T6.5	DC	CL	3000K	400	90	5.12	0.79	15K	045923231742	24/12
S21375	4T6.5/LED/CL/940/120V	4	120	T6.5	DC	CL	4000K	400	90	5.12	0.79	15K	045923231759	24/12
S21376	4T6.5/LED/FR/930/120V	4	120	T6.5	DC	FR	3000K	360	90	5.12	0.79	15K	045923231766	24/12
S21377	4T6.5/LED/FR/940/120V	4	120	T6.5	DC	FR	4000K	360	90	5.12	0.79	15K	045923231773	24/12
T6.5 - 40 Watt Replacement-Carded														
S21860	4T6.5/LED/CL/930/120V/E17/1CD	4	120	T6.5	E26	CL	3000K	400	90	5.12	0.79	15K	045923218606	24/12
S21861	4T6.5/LED/CL/930/120V/DC/1CD	4	120	T6.5	DC	CL	3000K	400	90	5	0.79	15K	045923218613	24/12
T10 - 40 Watt Replacement														
S21344	5.5T10/LED/CL/927/120V/E26	5.5	120	T10	E26	CL	2700K	450	90	5	1.25	15K	045923206511	24/6
S21345	5.5T10/LED/CL/930/120V/E26	5.5	120	T10	E26	CL	3000K	450	90	5	1.25	15K	045923206528	24/6
S21346	5.5T10/LED/CL/940/120V/E26	5.5	120	T10	E26	CL	4000K	450	90	5	1.25	15K	045923206535	24/6
S21347	5.5T10/LED/CL/950/120V/E26	5.5	120	T10	E26	CL	5000K	450	90	5	1.25	15K	045923206542	24/6
S21348	5.5T10/LED/FR/930/120V/E26	5.5	120	T10	E26	FR	3000K	450	90	5	1.25	15K	045923206559	24/6
S21349	5.5T10/LED/FR/940/120V/E26	5.5	120	T10	E26	FR	4000K	450	90	5	1.25	15K	045923206566	24/6
T10 - 40 Watt Replacement-Carded														
S21862	5.5T10/LED/CL/927/120V/E26/2CD	5.5	120	T10	E26	CL	2700K	450	90	5	1.25	15K	045923218620	24/12
S21863	5.5T10/LED/CL/950/120V/E26/2CD	5.5	120	T10	E26	CL	5000K	450	90	5	1.25	15K	045923218637	24/12
S21864	5.5T10/LED/FR/930/120V/E26/2CD	5.5	120	T10	E26	FR	3000K	450	90	5	1.25	15K	045923218644	24/12
T10 - 60 Watt REPLACEMENT														
S21350	8T10/LED/CL/927/120V/E26	8	120	T10	E26	CL	2700K	800	90	5	1.25	15K	045923206573	24/6
S21351	8T10/LED/CL/930/120V/E26	8	120	T10	E26	CL	3000K	800	90	5	1.25	15K	045923206580	24/6
S21352	8T10/LED/FR/927/120V/E26	8	120	T10	E26	FR	2700K	720	90	5	1.25	15K	045923206597	24/6
S21353	8T10/LED/FR/930/120V/E26	8	120	T10	E26	FR	3000K	720	90	5	1.25	15K	045923206603	24/6
T10 - 60 Watt Replacement-Carded														
S21865	8T10/LED/CL/927/120V/E26/2CD	8	120	T10	E26	CL	2700K	800	90	5	1.25	15K	045923218651	24/12
S21866	8T10/LED/FR/927/120V/E26/2CD	8	120	T10	E26	FR	2700K	720	90	5	1.25	15K	045923218668	24/12
T9 - 60 Watt REPLACEMENT														
S21354	8T9/LED/CL/927/120V/E26	8	120	T9	E26	CL	2700K	800	90	7.2	1.18	15K	045923206610	24/6
S21355	8T9/LED/CL/930/120V/E26	8	120	T9	E26	CL	3000K	800	90	7.2	1.18	15K	045923206627	24/6
S21356	8T9/LED/FR/927/120V/E26	8	120	T9	E26	FR	2700K	700	90	7.2	1.18	15K	045923206634	24/6
S21357	8T9/LED/FR/930/120V/E26	8	120	T9	E26	FR	3000K	700	90	7.2	1.18	15K	045923206641	24/6
S21358	8T9/LED/CL/927/120V/E26	8	120	T9	E26	CL	2700K	800	90	12	1.18	15K	045923206658	24/6
S21359	8T9/LED/CL/930/120V/E26	8	120	T9	E26	CL	3000K	800	90	12	1.18	15K	045923206665	24/6
T9 - 60 Watt Replacement-Carded														
S21867	8T9/LED/CL/927/120V/E26/2CD	8	120	T9	E26	CL	2700K	800	90	7.2	1.18	15K	045923218675	24/12
S21868	8T9/LED/FR/927/120V/E26/2CD	8	120	T9	E26	FR	2700K	700	90	7.2	1.18	15K	045923218682	24/12
T14 - 40 Watt Replacement														
S21378	5T14/LED/CL/820/120V	5.5	120	T14	E26	CL	2000K	500	80	4.53	1.77	15K	045923231780	24/12
S21379	5T14/LED/CL/927/120V	5.5	120	T14	E26	CL	2700K	500	80	4.53	1.77	15K	045923231797	24/12
ST19 - 40 Watt														
S21360*	5ST19/CL/LED/927/E26	5	120	ST19	E26	CL	2700K	425	90	5.43	2.28	15K	045923206672	24/6
S21361*	5ST19/CL/LED/930/E26	5	120	ST19	E26	CL	3000K	425	90	5.43	2.28	15K	045923206689	24/6
S21362*	5ST19/CL/LED/940/E26	5	120	ST19	E26	CL	4000K	425	90	5.43	2.28	15K	045923206696	24/6
ST19 - 40 Watt Replacement-Carded														
S21869	5ST19/CL/LED/927/E26/2CD	5	120	ST19	E26	CL	2700K	425	90	5.43	2.28	15K	045923218699	24/12
ST19 - 60 Watt														
S21363	8ST19/CL/LED/927/E26	8	120	ST19	E26	CL	2700K	800	90	5.43	2.28	15K	045923206702	24/6
S21364	8ST19/CL/LED/930/E26	8	120	ST19	E26	CL	3000K	800	90	5.43	2.28	15K	045923206719	24/6
S21365	8ST19/CL/LED/940/E26	8	120	ST19	E26	CL	4000K	800	90	5.43	2.28	15K	045923206726	24/6
ST19 - 60 Watt Replacement-Carded														
S21870	8ST19/CL/LED/927/E26/2CD	8	120	ST19	E26	CL	2700K	800	90	5.43	2.28	15K	045923218705	24/12

*Non-Dimmable *See warranty for details at www.satco.com

S14 LED STRING LIGHT LAMPS



Features:

- LED with a traditional incandescent look and feel
- Omni-directional light source
- Available in 7 color options
- Approved for totally enclosed fixtures ^
- Wet location
- c-UL-us listed
- 3 year warranty



S14 LED STRING LIGHT LAMPS



S8021



S8022



S8023



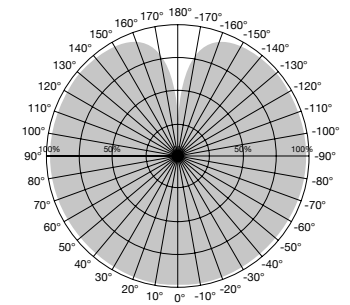
S8024



S8025



S8026



Beam Angle: 320°



Item	Description	W	V	Bulb Shape	Base	Finish	CCT	Lm	CRI	MOL (in.)	MOD (in.)	Life (hrs.)	UPC	Pack
LED String Light Replacement Lamps														
S8021	1W/LED/S14/RED/120V/ND/4PK	1	120	S14	E26	CL	2700K	100	80	3.43	1.18	15K	045923080210	24/4
S8022	1W/LED/S14/RED/120V/ND/4PK	1	120	S14	E26	RED	N/A	10	N/A	3.43	1.18	15K	045923080227	24/4
S8023	1W/LED/S14/BLUE/120V/ND/4PK	1	120	S14	E26	BLUE	N/A	5	N/A	3.43	1.18	15K	045923080234	24/4
S8024	1W/LED/S14/GREEN/120V/ND/4PK	1	120	S14	E26	GREEN	N/A	20	N/A	3.43	1.18	15K	045923080241	24/4
S8025	1W/LED/S14/YELLOW/120V/ND/4PK	1	120	S14	E26	YLW	N/A	40	N/A	3.43	1.18	15K	045923080258	24/4
S8026	1W/LED/S14/ORANGE/120V/ND/4PK	1	120	S14	E26	ORNG	N/A	30	N/A	3.43	1.18	15K	045923080265	24/4
S8027	1W/LED/S14/CL/822/120V/ND/4PK	1	120	S14	E26	CL	N/A	100	N/A	3.43	1.18	15K	045923080272	24/4

*See warranty for details at www.satco.com

Product sheet SA2320

LED FILAMENT LAMPS VINTAGE STYLE



Features:

- LED with a traditional incandescent look and feel
- Omni-directional light source
- Dimmable
- Damp location
- Approved for totally enclosed fixtures ^
- c-ETL-us listed
- 3 year warranty



LED FILAMENT LAMPS VINTAGE STYLE



A19



G25



ST19



T6



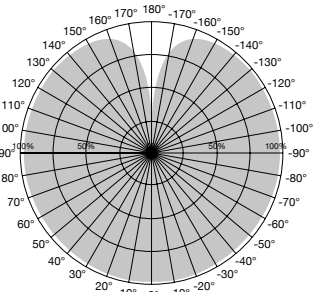
S9986
C11/E12



S9987
CA11/E12



T9



Beam Angle: 320°



Item	Description	W	V	Bulb Shape	Base	Finish	CCT	Lm	CRI	MOL (in.)	MOD (in.)	Life (hrs.)	UPC	Pack
ST19														
S9577	2.5ST19/AMB/LED/E26/20K/120V	2.5	120	ST19	E26	TR AMB	2000K	200	80	5.43	2.28	15K	045923095771	24/6
S9578	4.5ST19/AMB/LED/E26/20K/120V	4.5	120	ST19	E26	TR AMB	2000K	350	80	5.43	2.28	15K	045923095788	24/6
S8612	4.5ST19/AMB/LED/E26/20K/120V/CD	4.5	120	ST19	E26	TR AMB	2000K	350	80	5.43	2.28	15K	045923086120	24/12
S9579	7ST19/AMB/LED/E26/20K/120V	7	120	ST19	E26	TR AMB	2000K	650	80	5.43	2.28	15K	045923095795	24/6
A19														
S9583	4.5A19/AMB/LED/E26/20K/120V	4.5	120	A19	E26	TR AMB	2000K	350	80	4.13	2.38	15K	045923095832	24/6
G25														
S9584	4.5G25/AMB/LED/E26/20K/120V	4.5	120	G25	E26	TR AMB	2000K	380	80	4.45	3.25	15K	045923095849	24/6
T9														
S9588	6.5T9/AMB/LED/E26/20K/120V	6.5	120	T9	E26	TR AMB	2000K	620	80	12.00	1.13	15K	045923095887	24/6
T6														
S9873	2.5T6/LED/AMB/20K/E12/120V	2.5	120	T6	E12	TR AMB	2000K	150	80	3.34	.98	15K	045923098734	24/6
C11														
S9986	3.5CTA/LED/AMB/20K/120V	3.5	120	C11	E12	TR AMB	2000K	300	80	3.97	1.38	15K	045923099861	24/6
CA11														
S9987	3.5CFA/LED/AMB/20K/120V	3.5	120	CA11	E12	TR AMB	2000K	300	80	4.72	1.13	15K	045923099878	24/6

*See warranty for details at www.satco.com

DECORATIVE SPIRAL LED FILAMENT LAMPS

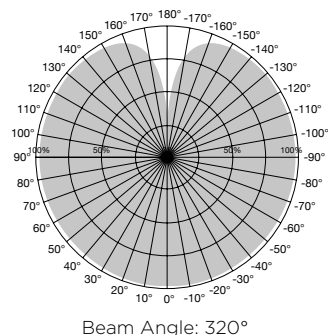


Features:

- LED with a traditional incandescent look and feel
- Omni-directional light source
- Dimmable
- Damp location
- Approved for totally enclosed fixtures ^
- c-UL-us listed
- 3 year warranty



DECORATIVE SPIRAL LED FILAMENT LAMPS



Item	Description	W	V	Bulb Shape	Base	Finish	CCT	Lm	CRI	MOL (in.)	MOD (in.)	Life (hrs.)	UPC	Pack
ST19														
S9967	4.5ST19/SPIRAL/LED/AMB/120V	4.5	120	ST19	E26	TR AMB	2000K	240	80	5.25	2.38	15K	045923099670	24/6
A19														
S9966	4.5A19/SPIRAL/LED/AMB/120V	4.5	120	A19	E26	TR AMB	2000K	220	80	4.00	2.38	15K	045923099663	24/6
G30														
S9968	4.5G30/SPIRAL/LED/AMB/120V	4.5	120	G30	E26	TR AMB	2000K	240	80	5.44	3.75	15K	045923099687	24/6
G40														
S9969	4.5G40/SPIRAL/LED/AMB/120V	4.5	120	G40	E26	TR AMB	2000K	240	80	6.63	4.94	15K	045923099694	12/6
T9														
S9971	4.5T9/SPIRAL/LED/AMB/120V	4.5	120	T9	E26	TR AMB	2000K	240	80	7.19	1.13	15K	045923099717	24/6
B10														
S9970	2.3ETC/SPIRAL/LED/AMB/120V	2.3	120	B10	E26	TR AMB	2000K	90	80	3.50	1.38	15K	045923099700	24/6

*See warranty for details at www.satco.com

Product sheet SA1980

LED SPIRAL FILAMENT VINTAGE-STYLE LAMPS IN HID ENVELOPES



Features:

- Uses only 4 watts
- Impressive size & presence
- Omni-directional light source
- Perfect for pendant fixtures & hanging sockets
- Approved for totally enclosed fixtures ^
- Dimmable
- Shapes: T24, BT38, BT56 & PS52
- E26 base
- 3 year warranty



LED SPIRAL FILAMENT VINTAGE-STYLE LAMPS IN HID ENVELOPES



S22431
BT38



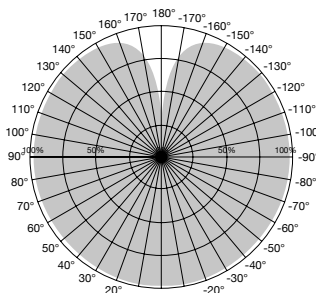
S22430
T24



S22433
PS52



S22432
BT56



Beam Angle: 320°



Item	Description	W	V	Bulb Shape	Base	Finish	CCT	Lm	CRI	MOL (in.)	MOD (in.)	Life (hrs.)	UPC	Pack
S22430	4T24/LED/CL/E26/VINTAGE/120V	4	120	T24	E26	CL	2150K	200	90	13.00	3.00	25K	045923224300	12
S22431	4BT38/LED/CL/E26/VINTAGE/120V	4	120	BT38	E26	CL	2150K	200	90	16.50	4.69	25K	045923224317	12
S22432	4BT56/LED/CL/E26/VINTAGE/120V	4	120	BT56	E26	CL	2150K	200	90	13.81	7.13	25K	045923224324	6
S22433	4PS52/LED/CL/E26/VINTAGE/120V	4	120	PS52	E26	CL	2150K	200	90	11.81	6.31	25K	045923224331	6

*See warranty for details at www.satco.com

Product sheet SA2298

SPECIALTY LED LAMPS



Features:

- Non-dimmable
- Direct replacements for incandescent & specialty lamps
- LED replacements use 80% less energy
- Wet location
- Long life—25,000 hours
- 3 Year warranty

Applications:

- Sign bulbs
- Indicator
- Nightlights
- Decorative lamps





T6



C7



S11



Decorative



S11



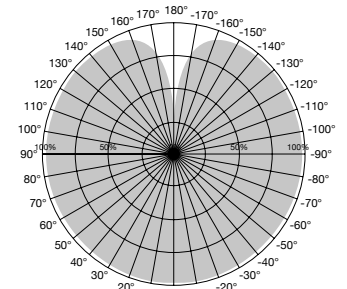
G16



A15



S14



360° Illumination



Item	Description	W	V	Bulb Shape	Base	Finish	CCT	Lm	CRI	MOL (in.)	MOD (in.)	Life (hrs.)	UPC	Pack
S9150	1.4W A15/CL/LED/120V/CD	1.4	120	A15	E26	CL	2700K	36	80	3.31	1.88	25K	045923091506	48/12
S9151	1.4W A15/WH/LED/120V/CD	1.4	120	A15	E26	CTD WH	2700K	45	80	3.31	1.94	25K	045923091513	48/12
S9152	1W CTC/LED/120V/CD	1	120	BA9 1/2	E12	CL	2700K	25	80	3.63	1.25	25K	045923091520	48/12
S9153	1W CFC/LED/120V/CD	1	120	CA8	E12	CL	2700K	25	80	3.88	1.25	25K	045923091537	48/12
S9154	1.4W ETC/LED/120V/CD	1.4	120	B11	E26	CL	2700K	36	80	3.81	1.38	25K	045923091544	48/12
S9155	1W CTD/LED/CRYSTAL/120V/CD	1	120	BA9 1/2	E12	Crystal	2700K	45	80+	3.63	1.25	25K	045923091551	48/12
S9156	0.5W C7/CL/LED/120V/CD	0.5	120	C7	E12	CL	2700K	14	80	2.13	0.84	25K	045923091568	48/12
S9157	0.5W C7/WH/LED/120V/CD	0.5	120	C7	E12	CTD WH	2700K	14	80	2.13	0.84	25K	045923091575	48/12
S9158	1.4W G16.5/CL/LED/120V/CD	1.4	120	G16 1/2	E26	CL	2700K	36	80	2.75	2.06	25K	045923091582	48/12
S9159	1.4W G16.5/WH/LED/120V/CD	1.4	120	G16 1/2	E26	CTD WH	2700K	45	80	2.81	2.06	25K	045923091599	48/12
S9160	1.2W S11/CL/LED/120V/CD	1.2	120	S11	E26	CL	2700K	32	80	2.31	1.38	25K	045923091605	48/12
S9161	1.2W S11/WH/LED/120V/CD	1.2	120	S11	E26	CTD WH	2700K	40	75	2.31	1.38	25K	045923091612	48/12
S9162	1.2W S11/BL/LED/120V/CD	1.2	120	S11	E26	CER BLUE	-	-	-	2.31	1.38	25K	045923091629	48/12
S9163	1.2W S11/GR/LED/120V/CD	1.2	120	S11	E26	CER GRN	-	-	-	2.31	1.38	25K	045923091636	48/12
S9164	1.2W S11/OR/LED/120V/CD	1.2	120	S11	E26	CER ORNG	-	-	-	2.31	1.38	25K	045923091643	48/12
S9165	1.2W S11/RED/LED/120V/CD	1.2	120	S11	E26	CER RED	-	-	-	2.31	1.38	25K	045923091650	48/12
S9166	1.2W S11/Y/LED/120V/CD	1.2	120	S11	E26	CER YLW	-	-	-	2.31	1.38	25K	045923091667	48/12
S9167	1.0W S11/CL/LED/E17/120V/CD	1	120	S11	E17	CL	2700K	28	80	2.25	1.38	25K	045923091674	48/12
S9168	1.0W S11/WH/LED/E17/120V/CD	1	120	S11	E17	CTD WH	2700K	35	80	2.25	1.38	25K	045923091681	48/12
S9169	1.4W S14/Y/LED/120V/CD	1.4	120	S14	E26	CER YLW	-	-	-	3.31	1.75	25K	045923091698	48/12
S9170	1.4W S14/RED/LED/120V/CD	1.4	120	S14	E26	CER RED	-	-	-	3.31	1.75	25K	045923091704	48/12
S9171	1.4W S14/GR/LED/120V/CD	1.4	120	S14	E26	CER GRN	-	-	-	3.31	1.75	25K	045923091711	48/12
S9172	1.4W S14/BL/LED/120V/CD	1.4	120	S14	E26	CER BLUE	-	-	-	3.31	1.75	25K	045923091728	48/12
S9173	1.4W S14/OR/LED/120V/CD	1.4	120	S14	E26	CER ORNG	-	-	-	3.31	1.75	25K	045923091735	48/12
S9174	1.4W S14/CL/LED/120V/CD	1.4	120	S14	E26	CL	2700K	36	80	3.31	1.75	25K	045923091742	48/12
S9175	1.4W S14/WH/LED/120V/CD	1.4	120	S14	E26	CTD WH	2700K	45	80	3.31	1.75	25K	045923091759	48/12
S9176	0.8W T6/FR/LED/120V/CD	0.8	120	T6	E12	CTD WH	2700K	25	80	2.06	0.75	25K	045923091766	48/12
S9177	0.8W T6/CL/LED/120V/CD	0.8	120	T6	E12	CL	2700K	20	80	2.06	0.75	25K	045923091773	48/12

LED A-SHAPE LAMPS CCT SELECTABLE



Features:

- Offered in 5 and 3 cct selectable options
- Dimmable and non-dimmable models available
- Standard A19 Shape for a variety of applications
- 90 CRI for exceptional color rendering



- WARM WHITE - 2700K
- SOFT WHITE - 3000K
- NEUTRAL WHITE - 3500K
- COOL WHITE - 4000K
- NATURAL LIGHT - 5000K





3-CCT



5-CCT



Item	Description	Lm	W	Replacement Wattage	CCT	Base	Life (Hrs.)	UPC	Pack
Non-Dimmable - 3 CCT Selectable									
S11770	6A19/LED/3CCT/E26/120V	470	6	40	3000K/4000K/5000K	E26	10K	045923117701	24
S11774	6A19/LED/3CCT E26/120V/4PK	470	6	40	3000K/4000K/5000K	E26	10K	045923117749	12/4
S11771	9A19/LED/3CCT/E26/120V	800	9	60	3000K/4000K/5000K	E26	10K	045923117718	24
S11775	9A19/LED/3CCT/E26/120V/4PK	800	9	60	3000K/4000K/5000K	E26	10K	045923117756	12/4
S11772	12A19/LED/3CCT/E26/120V	1,100	12	75	3000K/4000K/5000K	E26	10K	045923117725	24
S11776	12A19/LED/3CCT/E26/120V/4PK	1,100	12	75	3000K/4000K/5000K	E26	10K	045923117763	12/4
S11773	14A19/LED/3CCT/E26/120V	1,500	14	100	3000K/4000K/5000K	E26	10K	045923117732	24
S11777	14A19/LED/3CCT/E26/120V/4PK	1,500	14	100	3000K/4000K/5000K	E26	10K	045923117770	12-4
Dimmable- 5 CCT Selectable									
E26 Base									
S11790	5A19/LED/5CCT/E26/120V	450	5	40	2700K/3000K/3500K/4000K/5000K	E26	25K	045923117909	48/12
S11791	8.8A19/LED/5CCT/E26/120V	800	8.8	60	2700K/3000K/3500K/4000K/5000K	E26	25K	045923117916	48/12
S11792	12A19/LED/5CCT/E26/120V	1,100	12	75	2700K/3000K/3500K/4000K/5000K	E26	25K	045923117923	48/12
S11793	14A19/LED/5CCT/E26/120V	1,600	14	100	2700K/3000K/3500K/4000K/5000K	E26	25K	045923117930	48/12
GU24 Base									
S11794	8.8A19/LED/5CCT/GU24/120V	800	8.8	60	2700K/3000K/3500K/4000K/5000K	GU24	25K	045923117947	48/12
S11795	12A19/LED/5CCT/GU24/120V	1,100	12	75	2700K/3000K/3500K/4000K/5000K	GU24	25K	045923117954	48/12
S11796	14A19/LED/5CCT/E26/120V	1,600	14	100	2700K/3000K/3500K/4000K/5000K	GU24	25K	045923117961	48/12

Product sheet SA3001

40W REPLACEMENT LED A15 LAMPS

Features:

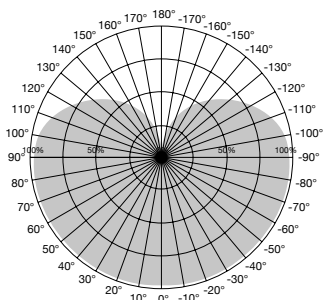
- Direct replacement for 40 Watt A15 incandescent lamps, uses only 5.5 Watts
- Indoor residential and commercial lighting
- Dimmable
- 2700K, 3000K, 4000K and 5000K options
- Damp location rated
- Approved for totally enclosed fixtures ^
- Long life—25,000 hours
- ENERGY STAR certified*
- 5 Year warranty



E17 Base



E26 Base



Beam Angle: 230°



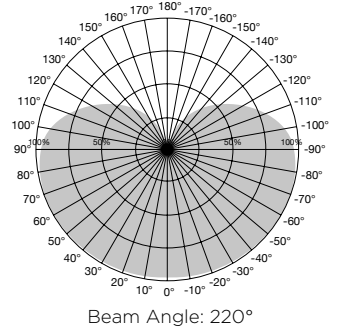
Item	Description	W	V	Bulb Shape	Base	Finish	CCT	Lm	CRI	MOL (in.)	MOD (in.)	Life (hrs.)	UPC	Pack
S9030*	5.5A15/LED/2700K/120V	5.5	120	A15	E26	FR	2700K	450	80	3.47	1.88	25K	045923090301	24/6
S9031*	5.5A15/LED/3000K/120V	5.5	120	A15	E26	FR	3000K	450	80	3.47	1.88	25K	045923090318	24/6
S9032*	5.5A15/LED/4000K/120V	5.5	120	A15	E26	FR	4000K	450	80	3.47	1.88	25K	045923090325	24/6
S9033*	5.5A15/LED/5000K/120V	5.5	120	A15	E26	FR	5000K	450	80	3.47	1.88	25K	045923090332	24/6
S9064	5.5A15/LED/2700K/E17/120V	5.5	120	A15	E17	FR	2700K	450	80	3.5	1.88	25K	045923090646	24/6
S9065	5.5A15/LED/3000K/E17/120V	5.5	120	A15	E17	FR	3000K	450	80	3.5	1.88	25K	045923090653	24/6
S9067	5.5A15/LED/4000K/E17/120V	5.5	120	A15	E17	FR	4000K	450	80	3.5	1.88	25K	045923090677	24/6
S9068	5.5A15/LED/5000K/E17/120V	5.5	120	A15	E17	FR	5000K	450	80	3.5	1.88	25K	045923090684	24/6
90 CRI—CEC/T20														
S8572*	5A15/LED/2700K/120V	5	120	A15	E26	FR	2700K	450	90	3.5	1.88	25K	045923085727	24/6
S8573*	5A15/LED/3000K/120V	5	120	A15	E26	FR	3000K	450	90	3.5	1.88	25K	045923085734	24/6

*For minimum compartment size of enclosed fixture visit www.satco.com

40W REPLACEMENT LED A19 LAMPS

Features:

- Direct replacement for 40 Watt incandescent lamps or 9 Watt CFL, uses only 5.8 Watts
- Residential and commercial lighting
- 2700K, 3000K, 4000K & 5000K options
- Damp location
- 10,000 to 25,000 Hours
- Dimmable & non-dimmable
- Approved for enclosed fixtures[^]
- 3-5 Year warranty



Item	Description	W	V	Bulb Shape	Base	Finish	CCT	Lm	CRI	MOL (in.)	MOD (in.)	Life (hrs.)	UPC	Pack
Dimmable														
S29830*	6A19/OMNI/220/LED/27K	6	120	A19	E26	WH	2700K	480	80	4.31	2.38	25K	045923298301	24/6
S29831*	6A19/OMNI/220/LED/30K	6	120	A19	E26	WH	3000K	480	80	4.31	2.38	25K	045923298318	24/6
S29832*	6A19/OMNI/220/LED/35K	6	120	A19	E26	WH	3500K	480	80	4.31	2.38	25K	045923298325	24/6
S29833*	6A19/OMNI/220/LED/40K	6	120	A19	E26	WH	4000K	480	80	4.31	2.38	25K	045923298332	24/6
S29834*	6A19/OMNI/220/LED/50K	6	120	A19	E26	WH	5000K	480	80	4.31	2.38	25K	045923298349	24/6
Dimmable 4 Packs														
S11450	5A19/LED/827/120V/D/4PK	5	120	A19	E26	FR	2700K	450	80	4.17	2.38	15K	045923101502	12-4pks
S11451	5A19/LED/830/120V/D/4PK	5	120	A19	E26	FR	3000K	450	80	4.17	2.38	15K	045923101519	12-4pks
S11452	5A19/LED/840/120V/D/4PK	5	120	A19	E26	FR	4000K	450	80	4.17	2.38	15K	045923101526	12-4pks
S11453	5A19/LED/850/120V/D/4PK	5	120	A19	E26	FR	5000K	450	80	4.17	2.38	15K	045923114533	12-4pks
Non-Dimmable														
S11402	5.8A19/LED/27K/120V/ECO/ND	5.8	120	A19	E26	FR	2700K	450	80	4.31	2.38	10K	045923114021	24/6
S11403	5.8A19/LED/30K/120V/ECO/ND	5.8	120	A19	E26	FR	3000K	450	80	4.31	2.38	10K	045923114038	24/6
S11404	5.8A19/LED/40K/120V/ECO/ND	5.8	120	A19	E26	FR	4000K	450	80	4.31	2.38	10K	045923114045	24/6
S11405	5.8A19/LED/50K/120V/ECO/ND	5.8	120	A19	E26	FR	5000K	450	80	4.31	2.38	10K	045923114052	24/6
S9590*	6A19/LED/2700K/120V	6	120	A19	E26	FR	2700K	480	80	4.31	2.38	15K	045923095900	24/6
S9591*	6A19/LED/3000K/120V	6	120	A19	E26	FR	3000K	480	80	4.31	2.38	15K	045923095917	24/6
S9592*	6A19/LED/5000K/120V	6	120	A19	E26	FR	5000K	480	80	4.31	2.38	15K	045923095924	24/6
90 CRI - CEC/T20 - Dimmable▲														
S11320*	5.5A19/LED/927/120V/D	5.5	120	A19	E26	FR	2700K	450	90	4.33	2.36	25K	045923113208	24/6
S11321*	5.5A19/LED/930/120V/D	5.5	120	A19	E26	FR	3000K	450	90	4.33	2.36	25K	045923113215	24/6
90 CRI - CEC/T20 - Non-Dimmable▲														
S28557*	5.5A19/LED/927/120V/ND/4PK	5.5	120	A19	E26	FR	2700K	450	90	4.33	2.36	15K	045923285578	12-4pks
S28558*	5.5A19/LED/930/120V/ND/4PK	5.5	120	A19	E26	FR	3000K	450	90	4.33	2.36	15K	045923285585	12-4pks
S28593*	5.5A19/LED/940/120V/ND/4PK	5.5	120	A19	E26	FR	4000K	450	90	4.33	2.36	15K	045923285936	12-4pks
S28594*	5.5A19/LED/950/120V/ND/4PK	5.5	120	A19	E26	FR	5000K	450	90	4.33	2.36	15K	045923285943	12-4pks

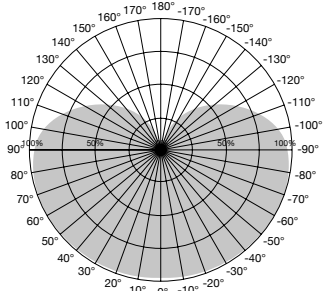
4-packs must be ordered in full cases only. ^ See warranty for details at www.satco.com

Product sheet SA2648

40W & 60W CANDELABRA BASE REPLACEMENT LED A19 LAMPS

Features:

- Direct replacements for 9 Watt and 13 Watt candelabra base CFL
- Indoor residential and commercial lighting
- Display lighting
- Accent lighting
- Dimmable
- 2700K, 3000K, 4000K and 5000K options
- Damp location
- Approved for totally enclosed fixtures ^
- Long life—25,000 hours
- 5 Year warranty



Beam Angle: 220°



Item	Description	W	V	Bulb Shape	Base	Finish	CCT	Lm	CRI	MOL (in.)	MOD (in.)	Life (hrs.)	UPC	Pack
40W Replacement														
S21800*	6A19/OMNI/220/LED/E12/27K	6	120	A19	E12	FR	2700K	480	80	4.31	2.38	25K	045923218002	24/6
S21801*	6A19/OMNI/220/LED/E12/30K	6	120	A19	E12	FR	3000K	480	80	4.31	2.38	25K	045923218019	24/6
S21802	6A19/OMNI/220/LED/E12/40K	6	120	A19	E12	FR	4000K	480	80	4.31	2.38	25K	045923218026	24/6
S21803	6A19/OMNI/220/LED/E12/50K	6	120	A19	E12	FR	5000K	480	80	4.31	2.38	25K	045923218033	24/6
60W Replacement														
S21804*	9.8A19/OMNI/220/LED/E12/27K	9.8	120	A19	E12	FR	2700K	800	80	4.31	2.38	25K	045923218040	24/6
S21805*	9.8A19/OMNI/220/LED/E12/30K	9.8	120	A19	E12	FR	3000K	800	80	4.31	2.38	25K	045923218057	24/6
S21806	9.8A19/OMNI/220/LED/E12/40K	9.8	120	A19	E12	FR	4000K	800	80	4.31	2.38	25K	045923218064	24/6
S21807	9.8A19/OMNI/220/LED/E12/50K	9.8	120	A19	E12	FR	5000K	800	80	4.31	2.38	25K	045923218071	24/6

^ For minimum compartment size of enclosed fixture visit www.satco.com

Product sheet SA2469

60W REPLACEMENT LED A19 LAMPS

Features:

Indoor residential and commercial lighting

Innovative design—smooth heat sink design to resemble traditional incandescent lamp

2700K, 3000K, 3500K, 4000K & 5000K options

Damp location

Dimmable and non-dimmable options

Approved for totally enclosed fixtures ^

E26 & GU24 base options

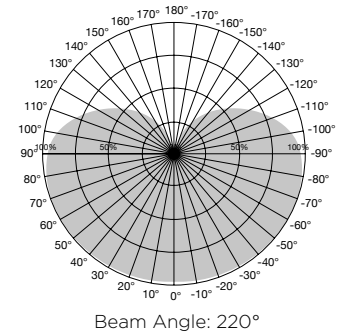
CEC/T20 Compliant options available

Long life—up to 25,000 hours

ENERGY STAR certified*

3 Year warranty—10,000-15,000 hours

5 Year warranty—25,000 hours



Item	Description	W	V	Bulb Shape	Base	Finish	CCT	Lm	CRI	MOL (in.)	MOD (in.)	Life (hrs.)	UPC	Pack
Dimmable														
S29835*	9.8A19/220/LED/27K	9.8	120	A19	E26	FR	2700K	800	80	4.31	2.38	25K	045923298356	24/6
S29836*	9.8A19/220/LED/30K	9.8	120	A19	E26	FR	3000K	800	80	4.31	2.38	25K	045923298363	24/6
S29837*	9.8A19/220/LED/35K	9.8	120	A19	E26	FR	3500K	800	80	4.31	2.38	25K	045923298370	24/6
S29838*	9.8A19/220/LED/40K	9.8	120	A19	E26	FR	4000K	800	80	4.31	2.38	25K	045923298387	24/6
S29839*	9.8A19/220/LED/50K	9.8	120	A19	E26	FR	5000K	800	80	4.31	2.38	25K	045923298394	24/6
S29840*	9.8A19/220/LED/27K/GU24	9.8	120	A19	GU24	FR	2700K	800	80	4.31	2.38	25K	045923298400	24/6
S29844*	9.8A19/220/LED/30K/GU24	9.8	120	A19	GU24	FR	3000K	800	80	4.31	2.38	25K	045923298448	24/6
S29841*	9.8A19/220/LED/35K/GU24	9.8	120	A19	GU24	FR	3500K	800	80	4.31	2.38	25K	045923298417	24/6
S29842*	9.8A19/220/LED/40K/GU24	9.8	120	A19	GU24	FR	4000K	800	80	4.31	2.38	25K	045923298424	24/6
S29843	9.8A19/220/LED/50K/GU24	9.8	120	A19	GU24	FR	5000K	800	80	4.31	2.38	25K	045923298431	24/6
90 CRI														
S9703*	10A19/LED/27K/90CRI	10	120	A19	E26	FR	2700K	800	90+	4.31	2.38	25K	045923097034	24/6
S9704*	10A19/LED/3K/90CRI	10	120	A19	E26	FR	3000K	800	90+	4.31	2.38	25K	045923097041	24/6
S8480	10A19/LED/4K/90CRI	10	120	A19	E26	FR	4000K	800	90	4.34	2.38	25K	045923084805	24/6
S8481	10A19/LED/5K/90CRI	10	120	A19	E26	FR	5000K	800	90	4.31	2.38	25K	045923084812	24/6
S9707*	10A19/LED/27K/90CRI/GU24	10	120	A19	GU24	FR	2700K	800	90+	4.31	2.38	25K	045923097072	24/6
S9708*	10A19/LED/3K/90CRI/GU24	10	120	A19	GU24	FR	3000K	800	90+	4.31	2.38	25K	045923097089	24/6
S9709*	10A19/LED/35K/90CRI	10	120	A19	E26	FR	3500K	800	90+	4.33	2.36	25K	045923097096	24/6
S8482	10A19/LED/4K/90CRI/GU24	10	120	A19	GU24	FR	4000K	800	90	4.31	2.38	25K	045923084829	24/6
Non-Dimmable														
S29593*	9.5A19/LED/827/ND/120V	9.5	120	A19	E26	FR	2700K	800	80	4.31	2.38	15K	045923295935	24/6
S9594*	9.5A19/LED/3000K/ND/120V	9.5	120	A19	E26	FR	3000K	800	80	4.31	2.38	15K	045923095948	24/6
S29595*	9.5A19/LED/850/ND/120V	9.5	120	A19	E26	FR	5000K	800	80	4.31	2.38	15K	045923295959	24/6
S11406	9.8A19/LED/27K/120V/ECO/ND	9.8	120	A19	E26	FR	2700K	800	80	4.34	2.38	10K	045923114069	24/6
S11407	9.8A19/LED/30K/120V/ECO/ND	9.8	120	A19	E26	FR	3000K	800	80	4.34	2.38	10K	045923114076	24/6
S11408	9.8A19/LED/40K/120V/ECO/ND	9.8	120	A19	E26	FR	4000K	800	80	4.34	2.38	10K	045923114083	24/6
S11409	9.8A19/LED/50K/120V/ECO/ND	9.8	120	A19	E26	FR	5000K	800	80	4.34	2.38	10K	045923114090	24/6
120-277V														
S28914*	8.8A19/LED/927/120-277V	8.5	120-277	A19	E26	FR	2700K	800	80	4.31	2.38	25K	045923089145	24/6
S28915*	8.8A19/LED/930/120-277V	8.5	120-277	A19	E26	FR	3000K	800	80	4.31	2.38	25K	045923089152	24/6
S28916	8.8A19/LED/940/120-277V	8.5	120-277	A19	E26	FR	4000K	800	80	4.31	2.38	25K	045923089169	24/6
S28920	8.8A19/LED/950/120-277V	8.5	120-277	A19	E26	FR	5000K	800	80	4.31	2.38	25K	045923089206	24/6

* See warranty for details at www.satco.com

LOW VOLTAGE 12-34V LED A19 LAMPS

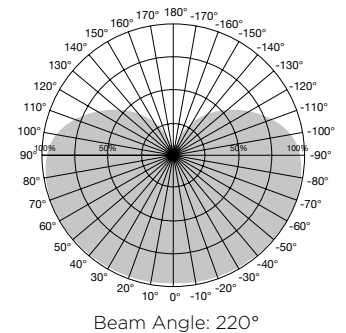


Features:

- 60 Watt incandescent replacement, uses only 9.2 Watts
- High efficiency—reduces drain on battery
- AC 12-24V
- DC 12-34V
- 800 Lumens
- Long life—25,000 hours
- 5 Year warranty

Applications:

- RVs and campers
- Marine applications



DAMP
LOCATION

800
LUMENS

25,000
HOURS

Item	Description	W	V	Bulb Shape	Base	Finish	CCT	Lm	CRI	MOL (in.)	MOD (in.)	Life (hrs.)	UPC	Pack
S25011	9A19/LED/12-34VDC/827/ND	9	12V-34V	A19	E26	FR	2700K	800	80	4.31	2.38	25K	045923150111	24/6
S25012	9A19/LED/12-34VDC/850/ND	9	12V-34V	A19	E26	FR	5000K	800	80	4.31	2.38	25K	045923150128	24/6

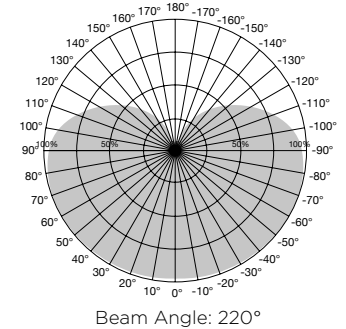
^ See warranty for details at www.satco.com

Product sheet SA2806

60W REPLACEMENT LED A19 2 PACKS & 4-PACKS

Features:

- Direct replacement for 60 Watt replacement incandescent lamps and for 13 Wall screw-in CFLs, uses only 9.5-10 Watts
- Indoor residential and commercial lighting
- 2700K, 3000K, 4000K and 5000K options
- Damp location
- Approved for totally enclosed fixtures ^
- Long life—up to 15,000 hours
- ENERGY STAR certified*
- 3 Year warranty



Item	Description	W	V	Bulb Shape	Base	Finish	CCT	Lm	CRI	MOL (in.)	MOD (in.)	Life (hrs.)	UPC	Pack
Dimmable 4 Packs														
S11414†	9.5A19/LED/827/120V/D/4PK	9.5	120	A19	E26	FR	2700K	800	80	4.17	2.38	15K	045923114144	12-4pks
S11415†	9.5A19/LED/830/120V/D/4PK	9.5	120	A19	E26	FR	3000K	800	80	4.17	2.38	15K	045923114151	12-4pks
S11416†	9.5A19/LED/840/120V/D/4PK	9.5	120	A19	E26	FR	4000K	800	80	4.17	2.38	15K	045923114168	12-4pks
S11417†	9.5A19/LED/850/120V/D/4PK	9.5	120	A19	E26	FR	5000K	800	80	4.17	2.38	15K	045923114175	12-4pks
Non-Dimmable 4 Packs														
S39596*	9.5A19/LED/827/ND/120V/4PK	9.5	120	A19	E26	FR	2700K	800	80	4.33	2.36	15K	045923395963	12-4pks
S29589*	9.5A19/LED/830K/ND/120V/4PK	9.5	120	A19	E26	FR	3000K	800	80	4.31	2.38	15K	045923295898	12-4pks
S29558*	9.5A19/LED/840K/ND/120V/4PK	9.5	120	A19	E26	FR	4000K	800	80	4.31	2.38	15K	045923295584	12-4pks
S39597*	9.5A19/LED/850/ND/120V/4PK	9.5	120	A19	E26	FR	5000K	800	80	4.33	2.36	15K	045923395970	12-4pks
Non-Dimmable 2 Packs														
S11434	9.8A19/LED/827/ECO/ND/2PK	9.8	120	A19	E26	FR	2700K	800	80	4.34	2.38	10K	045923114342	24-2pks
S11435	9.8A19/LED/850/ECO/ND/2	9.8	120	A19	E26	FR	5000K	800	80	4.34	2.38	10K	045923114359	24-2pks
90 CRI—CEC/T20 4 Packs - Non-Dimmable														
S28560*	10A19/LED/927/120V/ND/4PK	10	120	A19	E26	FR	2700K	800	90+	4.31	2.38	15K	045923285608	12-4pks
S28561*	10A19/LED/930/120V/ND/4PK	10	120	A19	E26	FR	3000K	800	90+	4.31	2.38	15K	045923285615	12-4pks
S28562*	10A19/LED/940/120V/ND/4PK	10	120	A19	E26	FR	4000K	800	90+	4.31	2.38	15K	045923285622	12-4pks
S28563*	10A19/LED/950/120V/ND/4PK	10	120	A19	E26	FR	5000K	800	90+	4.31	2.38	15K	045923285639	12-4pks

Must be ordered in full cases only. †See warranty for details at www.satco.com

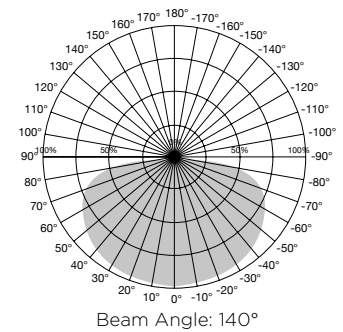
Product sheet SA2659

COMMERCIAL GRADE LED A19 LAMPS



Features:

- Up to 1600 lumens
- Enhanced dimming
- Wet location
- Rough service
- Approved for totally enclosed fixtures ^



Item	Description	W	V	Bulb Shape	Base	Finish	CCT	Lm	CRI	MOL (in.)	MOD (in.)	Life (hrs.)	UPC	Pack
S11430	5A19/LED/827/AGRI/120V/D	5	120	A19	E26	FR	2700K	550	80	4.61	2.36	25K	045923114304	48/12
S11431	5A19/LED/850/AGRI/120V/D	5	120	A19	E26	FR	5000K	550	80	4.61	2.36	25K	045923114311	48/12
S11432	8.5A19/LED/827/AGRI/120V/D	8.5	120	A19	E26	FR	2700K	1000	80	4.61	2.36	25K	045923114328	48/12
S11433	8.5A19/LED/850/AGRI/120V/D	8.5	120	A19	E26	FR	5000K	1000	80	4.61	2.36	25K	045923114335	48/12
S11458	10.5A19/LED/827/AGRI/120V/D	10.5	120	A19	E26	FR	5000K	1600	80	4.61	2.36	25K	045923114585	48/12
S11459	10.5A19/LED/850/AGRI/120V/D	10.5	120	A19	E26	FR	5000K	1600	80	4.61	2.36	25K	045923114592	48/12

^For minimum compartment size of enclosed fixture visit www.satco.com

Product sheet SA2575

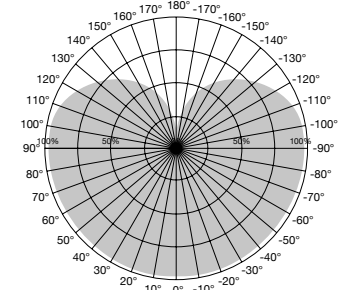
60W REPLACEMENT LED A19 LAMP DISPLAY PACK

Features:

- Direct replacement for 60 Watt incandescent lamps, uses only 10 Watts
- Indoor residential and commercial lighting
- Warm white 2700K
- Damp location
- Approved for totally enclosed fixtures[^]
- Long life—25,000 hours
- ENERGY STAR certified
- 3 Year warranty



Sold 72 per display



Beam Angle: 240°



Item	Description	W	V	Bulb Shape	Base	Finish	CCT	Lm	CRI	MOL (in.)	MOD (in.)	Life (hrs.)	UPC	Pack
S29629	10A19/LED/2700K/800L/120V	10	120	A19	E26	FR	2700K	800	80	4.38	2.38	25K	045923296291	72

Must be ordered in full cases only. [^]For minimum compartment size of enclosed fixture visit www.satco.com Product sheet SA1994

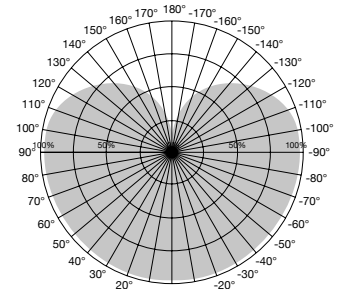
2-LAMP DISPLAY PACK

Features:

- Indoor residential and commercial lighting
- Great for retail end caps and counter areas
- 60 Watt replacement uses only 9.8 Watts
- Innovative design—smooth heat sink design to resemble traditional incandescent lamp
- 2700K
- Damp location
- Approved for totally enclosed fixtures[^]
- Long life—25,000 hours
- ENERGY STAR certified
- 5 Year warranty



Sold 60 2-Pks per display



Beam Angle: 240°



Item	Description	W	V	Bulb Shape	Base	Finish	CCT	Lm	CRI	MOL (in.)	MOD (in.)	Life (hrs.)	UPC	Pack
S29699	9.8A19/LED/2700K/800L/2PK	9.8	120	A19	E26	FR	2700K	800	80+	4.31	2.38	25K	045923296994	60-2pks

Must be ordered in full cases only. [^]See warranty for details at www.satco.com Product sheet SA2043

LED A19 LAMP 4-PACK FLOOR & COUNTER DISPLAY!

LED A19 Lamp 4-pack display combo,
2700K and 5000K,

9.5 Watt LED A19/Warm White & Natural Light

800 Lumens/60 Watt Replacement

Non-dimmable

Energy star

Contains 48 4-packs:

24 4-packs - S39596/2700K

24 4-packs - S39597/5000K

D2100
48 4-Packs
LED A19 display

Item	Description	Watt	Replaces	CCT	Lm	Pack*
D2100	A19 Display/8 pack	9	60W	2700 & 5000	800	48/4

*Sold per display only



Product sheet SA2876

LED A19 LAMP 8-PACK FLOOR & COUNTER DISPLAY!

Choose 2700K or 5000K CCT

9 Watt LED A19

750 Lumens

Non-dimmable

Item #	Description	Watt	Replaces	CCT	Lm	Pack*
D2104	A19 Display/8 pack	9	60W	2700	750	36/8
D2105	A19 Display/8 pack	9	60W	5000	750	36/ 8

*Sold per display only

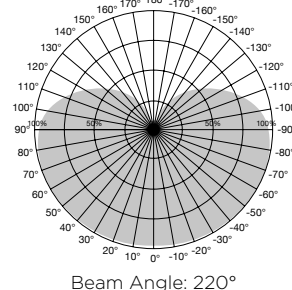


Product sheet SA2884

60W REPLACEMENT LED A19 10 PACKS

Features:

- Direct replacements for 60W incandescent lamps uses only 9 Watts
- Value-packed for retail or contractor sales
- Direct replacement for 13 Watt screw-in CFLs
- Indoor residential and commercial lighting
- 3000K, and 5000K options
- Damp location
- Approved for totally enclosed fixtures ^
- Long life—10,000 hours
- Non-dimmable
- 3 Year warranty



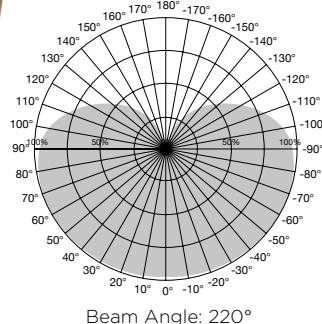
Item	Description	W	V	Bulb Shape	Base	Finish	CCT	Lm	CRI	MOL (in.)	MOD (in.)	Life (hrs.)	UPC	Pack
S11400	9A19/LED/E26/3K/120V/10PK	9	120	A19	E26	FR	3000K	800	80	4.38	2.38	10K	045923114007	4-10pks
S11401	9A19/LED/E26/5K/120V/10PK	9	120	A19	E26	FR	5000K	800	80	4.38	2.38	10K	045923114014	4-10pks
90 CRI—CEC/T20▲														
S11410	9.5A19/LED/930/120V/10PK	9.5	120	A19	E26	FR	3000K	760	90	4.41	2.38	10K	045923114106	4-10pks
S11411	9.5A19/LED/950/120V/10PK	9.5	120	A19	E26	FR	5000K	760	90	4.41	2.38	10K	045923114113	4-10pks

Master Cases 4/10 Pks ^For minimum compartment size of enclosed fixture visit www.satco.com

100PC CONTRACTOR PACKS

Features:

- Direct replacement for 60 Watt incandescent lamps or 13 Watt CFL, uses only 9 Watts
- 100 per carton for easier installation and storage
- Residential and commercial lighting
- 2700K & 4000K options
- Damp location
- Approved for totally enclosed fixtures ^
- 10,000 Hours
- Non-dimmable
- 3 Year warranty



Item	Description	W	V	Bulb Shape	Base	Finish	CCT	Lm	CRI	MOL (in.)	MOD (in.)	Life (hrs.)	UPC	Pack
S11412	9A19/LED/E26/827/120V/100PK	9	120	A19	E26	FR	2700K	800	80	4.41	2.38	10K	045923114120	100
S11413	9A19/LED/E26/840/120V/100PK	9	120	A19	E26	FR	4000K	800	80	4.41	2.38	10K	045923114137	100

^For minimum compartment size of enclosed fixture visit www.satco.com

LED A19 COLORS

Features:

- Direct replacement for 60 Watt incandescent lamps, uses only 8 Watts
- Indoor residential and commercial lighting
- Party bulbs
- Display lighting
- Accent lighting
- Ceramic-lined glass envelopes
- 360° Beam angle
- Damp location
- Approved for totally enclosed fixtures*
- Long life-15,000 hours
- 3 Year warranty

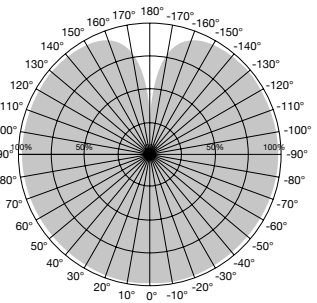


S14990
Blacklight



Colors for a reason

- Blue—in support of law enforcement/Autism awareness
- Green—in support of veterans
- Yellow—bug lights
- Pink—Breast cancer awareness



Beam Angle: 360°



Item	Description	W	V	Bulb Shape	Base	Finish	MOL (in.)	MOD (in.)	Life (hrs.)	UPC	Pack
S14984	8A19/RED/LED/E26/120V	8	120	A19	E26	CER RED	4.13	2.38	15K	045923149849	24/6
S14985	8A19/BLUE/LED/E26/120V	8	120	A19	E26	CER BLUE	4.13	2.38	15K	045923149856	24/6
S14986	8A19/GREEN/LED/E26/120V	8	120	A19	E26	CER GRN	4.13	2.38	15K	045923149863	24/6
S14987	8A19/YELLOW/LED/E26/120V	8	120	A19	E26	CER YLW	4.13	2.38	15K	045923149870	24/6
S14988	8A19/ORANGE/LED/E26/120V	8	120	A19	E26	CER ORNG	4.13	2.38	15K	045923149887	24/6
S14989	8A19/PINK/LED/E26/120V	8	120	A19	E26	CER PINK	4.13	2.38	15K	045923149894	24/6
S14990	8A19/BL/LED/E26/120V	8	120	A19	E26	BLACK	4.13	2.38	15K	045923149900	24/6

*For minimum compartment size of enclosed fixture visit www.satco.com

LED A21 LAMP WITH BATTERY BACKUP



On/Off Button

Features:

- Up to 5 hours of illumination in the event of a power outage
- Use as a flashlight in the event of an emergency
- Charges during regular use
- Offers 280° of illumination
- Long life - up to 15,000 hours



Item	Description	W	V	Bulb Shape	Base	Finish	CCT	Lm	CRI	MOL (in.)	MOD (in.)	Life (hrs.)	UPC	Pack
S11468	8A21/BATTERY BU/LED/830	8	120	A21	E26	FR	3000K	760	80	5.59	2.60	15K	045923114684	24/6
S11469	8A21/BATTERY BU/LED/850	8	120	A21	E26	FR	5000K	760	80	5.59	2.60	15K	045923114691	24/6

Product sheet SA2988

LED A19 DUSK TO DAWN LAMPS

ON AT DUSK, OFF AT DAWN

Features:

- Direct replacement for 60 Watt incandescent lamp uses only 6.5 or 8 Watts
- Non-dimmable
- Indoor/outdoor residential and commercial lighting
- Automatic operation -no timers to set
- Internal sensor works in any direction
- Damp location
- Long life - up to 15,000 hours



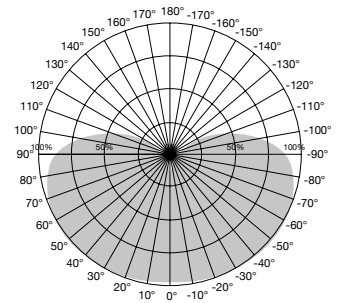
LED A19 DUSK TO DAWN LAMPS



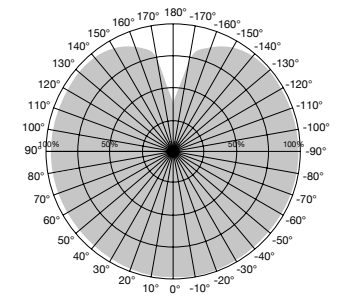
S11428



S11421, S11427
S11429



Beam Angle: 200° (White)



Beam Angle: 320°



Item	Lamp Description	Finish	W	V	CRI	CCT	Lm	Life/ Hrs.	UPC	Pack
S11428	6.5A19/DUSK/DAWN/LED/CL/27K	CL	6.5	120	80	2700K	800	15K	045923114281	24/6
S11429*	8A19/DUSK/DAWN/LED/27K	SW	8.5	120	90	2700K	800	15K	045923114281	24/6
S11427	8A19/DUSK/DAWN/LED/50K	SW	8.5	120	90	5000K	800	15K	045923114274	24/6

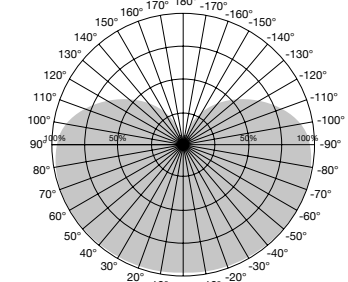
Not compatible with external photo sensors, motion sensors or timers
*See warranty for details at www.satco.com

Product sheet SA2667

75W REPLACEMENT LED A19 LAMPS

Features:

- Direct replacement for 75 Watt incandescent lamps, uses only 10-13 Watts
- Indoor residential and commercial lighting
- Damp Location
- Approved for totally enclosed fixtures - E26 & GU24 base options
- Dimmable and non-dimmable options
- CEC/T20 Compliant options available
- ENERGY STAR certified*
- 3 Year warranty—15,000 hours
- 5 Year warranty—25,000 hours



Beam Angle: 220°



Item	Description	W	V	Bulb Shape	Base	Finish	CCT	Lm	CRI	MOL (in.)	MOD (in.)	Life (hrs.)	UPC	Pack
Dimmable														
S29810**	11A19/LED/2700K/1100L/120V/D	11	120	A19	E26	FR	2700K	1100	80	4.31	2.38	25K	045923298103	24/6
S29811**	11A19/LED/3000K/1100L/120V/D	11	120	A19	E26	FR	3000K	1100	80	4.31	2.38	25K	045923298110	24/6
S29812**	11A19/LED/4000K/1100L/120V/D	11	120	A19	E26	FR	4000K	1100	80	4.31	2.38	25K	045923298127	24/6
S29813**	11A19/LED/5000K/1100L/120V/D	11	120	A19	E26	FR	5000K	1100	80	4.31	2.38	25K	045923298134	24/6
S29814**	11A19/LED/2700K/120V/D/GU24	11	120	A19	GU24	FR	2700K	1100	80	4.31	2.38	25K	045923298141	24/6
S29804**	11A19/LED/4000K/120V/D/GU24	11	120	A19	GU24	FR	4000K	1100	80	4.31	2.38	25K	045923298042	24/6
4 Packs														
S11454	13A19/LED/827/120V/D/4PK	13	120	A19	E26	FR	2700K	1100	80	4.56	2.38	15K	045923114540	12/4
S11455	13A19/LED/830/120V/D/4PK	13	120	A19	E26	FR	3000K	1100	80	4.56	2.38	15K	045923114557	12/4
S11456	13A19/LED/840/120V/D/4PK	13	120	A19	E26	FR	4000K	1100	80	4.56	2.38	15K	045923114564	12/4
S11457	13A19/LED/850/120V/D/4PK	13	120	A19	E26	FR	5000K	1100	80	4.56	2.38	15K	045923114571	12/4
90 CRI—CEC/T20▲														
S28650**■	11.5A19LED/927/120V	11.5	120	A19	E26	FR	2700K	1100	90	4.33	2.36	25K	045923286506	24/6
S28483**	11.5A19LED/940/120V	11.5	120	A19	E26	FR	4000K	1100	90	4.33	2.36	25K	045923284830	24/6
S28484**	11.5A19LED/950/120V	11.5	120	A19	E26	FR	5000K	1100	90	4.33	2.36	25K	045923284847	24/6
S21323**■	11.5A19LED/927/120V/2PK	11.5	120	A19	E26	FR	2700K	1100	90	4.33	2.36	25K	045923200069	12-2pks
S21324**■	11.5A19LED/927/GU24/120V	11.5	120	A19	GU24	FR	2700K	1100	90	4.33	2.36	25K	045923200076	24/6
S21325**■	11.5A19LED/930/GU24/120V	11.5	120	A19	GU24	FR	3000K	1100	90	4.33	2.36	25K	045923200083	24/6
S28485**■	11.5A19LED/940/GU24/120V	11.5	120	A19	GU24	FR	4000K	1100	90	4.33	2.36	25K	045923284854	24/6
Non-Dimmable														
S28765*	11.5A19/LED/27K/ND/120V	11.5	120	A19	E26	FR	2700K	1100	80	4.31	2.38	15K	045923287657	24/6
S28766*	11.5A19/LED/30K/ND/120V	11.5	120	A19	E26	FR	3000K	1100	80	4.31	2.38	15K	045923287664	24/6
S28767*	11.5A19/LED/40K/ND/120V	11.5	120	A19	E26	FR	4000K	1100	80	4.31	2.38	15K	045923287671	24/6
S28768*	11.5A19/LED/50K/ND/120V	11.5	120	A19	E26	FR	5000K	1100	80	4.31	2.38	15K	045923287688	24/6
Left Hand Threaded														
S11310	10A19/LED/830/LHT	10	120	A19	E26LHT	FR	3000K	1050	80	4.56	2.38	15K	045923113109	24/6
S11311	10A19/LED/840/LHT	10	120	A19	E26LHT	FR	4000K	1050	80	4.56	2.38	15K	045923113116	24/6

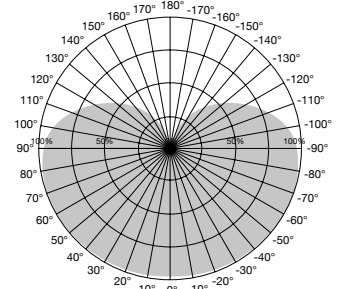
*For minimum compartment size of enclosed fixture visit www.satco.com

Product sheet SA2254

75W REPLACEMENT LED A19 4-PACKS

Features:

- Direct replacement for 75 Watt incandescent lamps, uses only 11.5-12.5 Watts
- Indoor residential and commercial lighting
- Direct replacement for 18 Watt screw-in CFLs
- 2700K, 3000K, 4000K and 5000K options
- Damp location
- Approved for totally enclosed fixtures ^
- Long life—10,000 hours
- ENERGY STAR certified*
- 3 Year warranty



Beam Angle: 220°



Item	Description	W	V	Bulb Shape	Base	Finish	CCT	Lm	CRI	MOL (in.)	MOD (in.)	Life (hrs.)	UPC	Pack
Non-Dimmable														
S28769*	11.5A19/LED/27K/ND/120V/4PK	11.5	120	A19	E26	FR	2700K	1100	80	4.31	2.38	10K	045923287695	12-4pks
S28770*	11.5A19/LED/50K/ND/120V/4PK	11.5	120	A19	E26	FR	5000K	1100	80	4.31	2.38	10K	045923287701	12-4pks
90 CRI—CEC/T20▲														
S8564	12.5A19/LED/27K/ND/120V/4PK	12.5	120	A19	E26	FR	2700K	1050	90	4.38	2.38	10K	045923085642	12-4pks
S8499	12.5A19/LED/30K/ND/120V/4PK	12.5	120	A19	E26	FR	3000K	1050	90	4.38	2.38	10K	045923084997	12-4pks
S8489	12.5A19/LED/40K/ND/120V/4PK	12.5	120	A19	E26	FR	4000K	1050	90	4.38	2.38	10K	045923084898	12-4pks
S8565	12.5A19/LED/50K/ND/120V/4PK	12.5	120	A19	E26	FR	5000K	1050	90	4.38	2.38	10K	045923085659	12-4pks

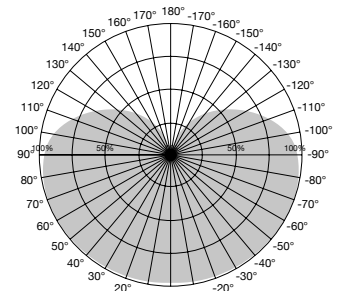
Must be ordered in full cases only. ^For minimum compartment size of enclosed fixture visit www.satco.com

Product sheet SA2152

75W REPLACEMENT LED A19 10-PACKS

Features:

- Direct replacement for 75 Watt incandescent lamps
- Indoor residential and commercial lighting
- Direct replacement for 18 Watt screw-in CFLs
- 3000K and 5000K options
- Damp location
- Approved for totally enclosed fixtures ^
- Long life—10,000 hours
- 3 Year warranty



Beam Angle: 220°



Item	Description	W	V	Bulb Shape	Base	Finish	CCT	Lm	CRI	MOL (in.)	MOD (in.)	Life (hrs.)	UPC	Pack
S11437	12A19/LED/E26/830/120V/10PK	12	120	A19	E26	FR	3000K	1100	80	4.41	2.36	10K	045923114373	4-10pks
S11438	12A19/LED/E26/850/120V/10PK	12	120	A19	E26	FR	5000K	1100	80	4.41	2.36	10K	045923114380	4-10pks

*For minimum compartment size of enclosed fixture visit www.satco.com

Product sheet SA2624

LED A19 MOTION SENSOR LAMPS



Features:

- Motion activated sensor
- Sensor has a 90° viewing angle and 26' range
- Works with standard fixtures
- Light activates for 5 minutes when motion is detected
- Dusk to Dawn operation
- Dual mode capable with motion sensor or always-on



LED A19 MOTION SENSOR LAMPS



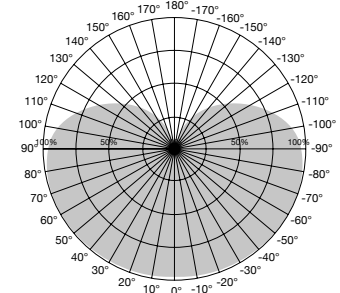
Item	Description	W	V	Bulb Shape	Base	Finish	CCT	Lm	CRI	MOL (in.)	MOD (in.)	Life (hrs.)	UPC	Pack
S11445	12A19/PIR/930/120V/ND	12	120	A19	E26	FR	3000K	1050L	90	5.11	2.36	15K	045923114458	24/12
S11446	12A19/PIR/950/120V/ND	12	120	A19	E26	FR	5000K	1050L	90	5.11	2.36	15K	045923114465	24/12

Product sheet SA2963

100W REPLACEMENT LED A19

Features:

- Direct replacement for 100 Watt incandescent lamps, uses only 15-16.5 Watts
- Indoor residential and commercial lighting
- Damp location
- Dimmable and non-dimmable options
- Approved for totally enclosed fixtures ^
- CEC/T20 Compliant options available
- Long life—up to 25,000 hours
- ENERGY STAR certified*
- 3 Year warranty—15,000 hours
- 5 Year warranty—25,000 hours



Beam Angle: 220°



Item	Description	W	V	Bulb Shape	Base	Finish	CCT	Lm	CRI	MOL (in.)	MOD (in.)	Life (hrs.)	UPC	Pack
Dimmable														
S29815**	15A19/LED/2700K/1600L/120V/D	15	120	A19	E26	FR	2700K	1600	80	4.63	2.38	25K	045923298158	24/6
S29816**	15A19/LED/3000K/1600L/120V/D	15	120	A19	E26	FR	3000K	1600	80	4.63	2.38	25K	045923298165	24/6
S29817**	15A19/LED/4000K/1600L/120V/D	15	120	A19	E26	FR	4000K	1600	80	4.63	2.38	25K	045923298172	24/6
S29818**	15A19/LED/5000K/1600L/120V/D	15	120	A19	E26	FR	5000K	1600	80	4.63	2.38	25K	045923298189	24/6
S29819**	15A19/LED/27K/1600/120V/GU24	15	120	A19	GU24	FR	2700K	1600	80	4.5	2.38	25K	045923298196	24/6
S29805**	15A19/LED/40K/1600/120V/GU24	15	120	A19	GU24	FR	4000K	1600	80	4.5	2.38	25K	045923298059	24/6
4 Packs														
S11422	14A19/LED/827/120V/D/4PK	14	120	A19	E26	FR	2700K	1600	80	4.56	2.38	15K	045923114229	12/4
S11423	14A19/LED/830/120V/D/4PK	14	120	A19	E26	FR	3000K	1600	80	4.56	2.38	15K	045923114236	12/4
S11424	14A19/LED/840/120V/D/4PK	14	120	A19	E26	FR	4000K	1600	80	4.56	2.38	15K	045923114243	12/4
S11425	14A19/LED/850/120V/D/4PK	14	120	A19	E26	FR	5000K	1600	80	4.56	2.38	15K	045923114250	12/4
90 CRI—CEC/T20▲														
S28652**■	16.5A19LED/927/120V	16.5	120	A19	E26	FR	2700K	1600	90	4.65	2.36	25K	045923286520	24/6
S28653**■	16.5A19LED/930/120V	16.5	120	A19	E26	FR	3000K	1600	90	4.65	2.36	25K	045923286537	24/6
S28486**■	16.5A19LED/940/120V	16.5	120	A19	E26	FR	4000K	1600	90	4.65	2.36	25K	045923284861	24/6
S28487†	16.5A19LED/950/120V	16.5	120	A19	E26	FR	5000K	1600	90	4.65	2.36	25K	045923200106	24/6
S21327†■	16.5A19LED/927/GU24/120V	16.5	120	A19	GU24	FR	2700K	1600	90	4.53	2.36	25K	045923213274	24/6
S21328†■	16.5A19LED/930/GU24/120V	16.5	120	A19	GU24	FR	3000K	1600	90	4.53	2.36	25K	045923213281	24/6
S28488**■	16.5A19LED/940/GU24/120V	16.5	120	A19	GU24	FR	4000K	1600	90	4.53	2.36	25K	045923284885	24/6
Non-Dimmable														
S28785*	15.5A19/LED/27K/ND/120V	15.5	120	A19	E26	FR	2700K	1600	80	4.63	2.38	15K	045923287855	24/6
S28786*	15.5A19/LED/30K/ND/120V	15.5	120	A19	E26	FR	3000K	1600	80	4.63	2.38	15K	045923287862	24/6
S28787*	15.5A19/LED/40K/ND/120V	15.5	120	A19	E26	FR	4000K	1600	80	4.63	2.38	15K	045923287879	24/6
S28788*	15.5A19/LED/50K/ND/120V	15.5	120	A19	E26	FR	5000K	1600	80	4.63	2.38	15K	045923287886	24/6

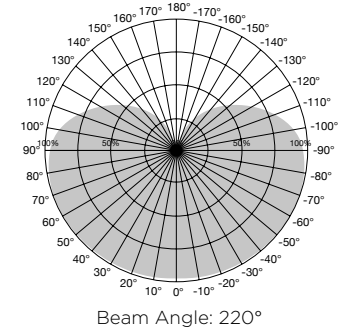
*For minimum compartment size of enclosed fixture visit www.satco.com

Product sheet SA2255

100W REPLACEMENT LED A19 4-PACKS

Features:

- Direct replacements for 100 Watt incandescent lamps uses only 15.5 Watts
- Indoor residential and commercial lighting
- Direct replacement for 13, 18 & 23W screw-in CFLs
- 2700K to 5000K options
- Damp location
- Approved for totally enclosed fixtures[^]
- Long life—up to 15,000 hours
- ENERGY STAR certified*
- 3 Year warranty

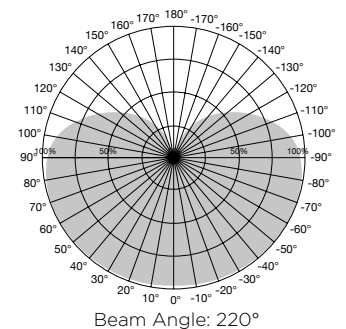


Item	Description	W	V	Bulb Shape	Base	Finish	CCT	Lm	CRI	MOL (in.)	MOD (in.)	Life (hrs.)	UPC	Pack
100W Replacement - Dimmable														
S11422*	15.5A19/LED/827/120V/D/4PK	15.5	120	A19	E26	FR	2700K	1600	80	4.57	2.38	15K	045923114229	12-4pks
S11423*	15.5A19/LED/830/120V/D/4PK	15.5	120	A19	E26	FR	3000K	1600	80	4.57	2.38	15K	045923114236	12-4pks
S11424*	15.5A19/LED/840/120V/D/4PK	15.5	120	A19	E26	FR	4000K	1600	80	4.57	2.38	15K	045923114243	12-4pks
S11425*	15.5A19/LED/850/120V/D/4PK	15.5	120	A19	E26	FR	5000K	1600	80	4.57	2.38	15K	045923114250	12-4pks
Non-Dimmable														
S28789*	15.5A19/LED/27K/ND/120V/4PK	15.5	120	A19	E26	FR	2700K	1600	80	4.63	2.38	15K	045923287893	12-4pks
S28790*	15.5A19/LED/50K/ND/120V/4PK	15.5	120	A19	E26	FR	5000K	1600	80	4.63	2.38	15K	045923287909	12-4pks
90 CRI—CEC/T20 - Non-Dimmable▲														
S8566	15.5A19/LED/27K/ND/120V/4PK	15.5	120	A19	E26	FR	2700K	1490	90	4.63	2.38	15K	045923085666	12-4pks
S8567	15.5A19/LED/30K/ND/120V/4PK	15.5	120	A19	E26	FR	3000K	1490	90	4.63	2.38	15K	045923085673	12-4pks
S8490	15.5A19/LED/40K/ND/120V/4PK	15.5	120	A19	E26	FR	4000K	1490	90	4.63	2.38	15K	045923084904	12-4pks
S8568	15.5A19/LED/50K/ND/120V/4PK	15.5	120	A19	E26	FR	5000K	1490	90	4.63	2.38	15K	045923085680	12-4pks

Must be ordered in full cases only. *See warranty for details at www.satco.com

Product sheets SA2330, SA2400, SA2180-3

100W REPLACEMENT LED A19 10-PACKS



Item	Description	W	V	Bulb Shape	Base	Finish	CCT	Lm	CRI	MOL (in.)	MOD (in.)	Life (hrs.)	UPC	Pack
Non-Dimmable														
S11418	14A19/LED/E26/830/120V/10PK	14	120	A19	E26	FR	3000K	1600	80	4.57	2.36	10K	045923114182	4-10pks
S11419	14A19/LED/E26/850/120V/10PK	14	120	A19	E26	FR	5000K	1600	80	4.57	2.36	10K	045923114199	4-10pks

Sold per 10 pack. *See warranty for details at www.satco.com

Product sheet SA2624

LED A19 100 PIECE CONTRACTOR PACK



4 Trays per Master Carton



100W Replacement

Item	Description	W	V	Bulb Shape	Base	Finish	CCT	Lm	CRI	Beam Angle	Life (hrs.)	UPC	Pack
S11447	14A19/LED/E26/827/120V/100PK	14	120	A19	Medium	FR	2700	1520	80	220°	10,000	045923114472	100
S11448	14A19/LED/E26/840/120V/100PK	14	120	A19	Medium	FR	4000	1520	80	220°	10,000	045923114489	100

LED A19 LAMP 8-PACK FLOOR & COUNTER DISPLAY!

LED 100 Watt replacement

14 Watt LED A19

1500 Lumens

Non-dimmable

Item #	Description	Watt	Replaces	CCT	Lm	Pack
D2106	A19 Display/8 pack	14	100W	2700	1500	36-8pks
D2107	A19 Display/8 pack	14	100W	5000	1500	36-8pks

*Sold per display only



Product sheet SA2884

3-WAY LED A19 & A21 LAMPS

Features:

Direct replacement for 30/70/100W
3-Way incandescent lamps, uses
only 3/9/12 Watts

Direct replacement for 50/100/150W
3-Way incandescent lamps uses only
5/15/21 Watts

Indoor residential & commercial lighting
220° Omni-directional
2700K, 3000K, 4000K and
5000K options

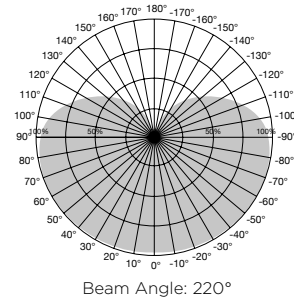
Damp location rated

Approved for totally enclosed fixtures ^

ENERGY STAR certified*

Long life—25,000 hours

5 Year warranty



Item	Description	W	V	Bulb Shape	Base	Finish	CCT	Lm	CRI	MOL (in.)	MOD (in.)	Life (hrs.)	UPC	Pack
30/70/100W 3-Way														
S9316*	3/9/12A19/3WAY LED/2700K/120V	3/9/12	120	A19	E26	FR	2700K	280/950/1200	80	4.66	2.38	25K	045923093166	24/6
S9317*	3/9/12A19/3WAY LED/3000K/120V	3/9/12	120	A19	E26	FR	3000K	280/950/1200	80	4.63	2.38	25K	045923093173	24/6
S9318	3/9/12A19/3WAY LED/4000K/120V	3/9/12	120	A19	E26	FR	4000K	280/950/1200	80	4.63	2.38	25K	045923093180	24/6
S9319	3/9/12A19/3WAY LED/5000K/120V	3/9/12	120	A19	E26	FR	5000K	280/950/1200	80	4.63	2.38	25K	045923093197	24/6
90 CRI—CEC/T20▲														
S8570	3/9/12A19/3WAY LED/2700K/90CRI	3/9/12	120	A19	E26	FR	2700K	230/850/1050	90	4.66	2.38	25K	045923085703	24/6
S8571	3/9/12A19/3WAY LED/3000K/90CRI	3/9/12	120	A19	E26	FR	3000K	230/850/1050	90	4.63	2.38	25K	045923085710	24/6
50/100/150W 3-Way														
S8542*	5/15/21A21/3-WAY/LED/27K	5/15/21	120	A21	E26	FR	2700K	600/1600/2150	80	5.5	2.63	25K	045923085420	24/6
S8543*	5/15/21A21/3-WAY/LED/30K	5/15/21	120	A21	E26	FR	3000K	600/1600/2150	80	5.5	2.63	25K	045923085437	24/6
S8544	5/15/21A21/3-WAY/LED/40K	5/15/21	120	A21	E26	FR	4000K	600/1600/2150	80	5.5	2.63	25K	045923085444	24/6
S8545	5/15/21A21/3-WAY/LED/50K	5/15/21	120	A21	E26	FR	5000K	600/1600/2150	80	5.5	2.63	25K	045923085451	24/6

*For minimum compartment size of enclosed fixture visit www.satco.com

Product sheet SA2608

LED A19 3-WAY MOGUL LAMP

Features:

Input Voltage, Frequency: 120V/277V

Efficacy: up to 131 LPW

CRI: 80s

Functional Life (L70): 25,000 Hours

Location Rating: Damp

Ambient Operating Temperature: -20°C
(-4°F) to +40°C (+104°F)

Base: E39Ds



Item	Description	W	V	Bulb Shape	Base	Finish	CCT	Lm	CRI	MOL (in.)	MOD (in.)	Life (hrs.)	UPC	Pack
Replaces 100/200/300W Incandescent														
S11490	10/22/34PS25/3WAY/LED/827/E39D	10W/22W/34W	120	A19	PS25	FR	2700K	1300L/2900L/4100L	80	7.09	3.11	25K	045923114908	12/6
S11491	10/22/34PS25/3WAY/LED/830/E39D	10W/22W/34W	120	A19	PS25	FR	3000K	1300L/2900L/4100L	80	7.09	3.11	25K	045923114915	12/6
S11492	10/22/34PS25/3WAY/LED/840/E39D	10W/22W/34W	120	A19	PS25	FR	4000K	1300L/2900L/4100L	80	7.09	3.11	25K	045923114922	12/6
S11493	10/22/34PS25/3WAY/LED/850/E39D	10W/22W/34W	120	A19	PS25	FR	5000K	1300L/2900L/4100L	80	7.09	3.11	25K	045923114939	12/6

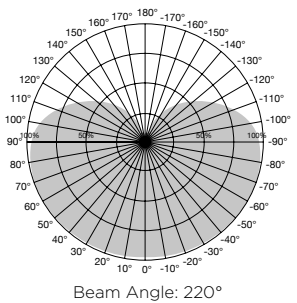
Specifications are subject to change without prior notice. Replacement wattage shown depends on application and fixture.

Product sheet SA2985

125W REPLACEMENT 120-277V LED A21 LAMPS

Features:

- Direct replacement for 125 Watt incandescent w& 25 Watt CFL lamps, uses only 20 Watts
- Indoor residential and commercial lighting
- Down lighting
- CEC/T20 compliant
- 2700K, 3000K, 4000K and 5000K options
- Damp location
- Approved for totally enclosed fixtures ^
- c-UL-us listed Long life—25,000 hours
- ENERGY STAR certified*
- 5 Year warranty



Item	Description	W	V	Bulb Shape	Base	Finish	CCT	Lm	CRI	MOL (in.)	MOD (in.)	Life (hrs.)	UPC	Pack
Non-Dimmable														
S11329*	20A21/LED/927/120-277V/ND	20	120V-277	A21	E26	FR	2700K	2000	90	5.55	2.63	25K	045923113291	24/6
S11330*	20A21/LED/930/120-277V/ND	20	120V-277	A21	E26	FR	3000K	2000	90	5.55	2.63	25K	045923113307	24/6
S11331	20A21/LED/940/120-277V/ND	20	120V-277	A21	E26	FR	4000K	2000	90	5.55	2.63	25K	045923113314	24/6
S11332	20A21/LED/950/120-277V/ND	20	120V-277	A21	E26	FR	5000K	2000	90	5.55	2.63	25K	045923113321	24/6

*For minimum compartment size of enclosed fixture visit www.satco.com

Product sheet SA2696

300W A25 REPLACEMENT NON-DIMMABLE

Features:

- 300 Watt Incandescent
- Replacement Uses Only 30 Watts
- Improved Lumens Per Watt
- Damp Location
- 15,000 Life Hours
- 3 Year Warranty



Item	Description	W	V	Base Type	Lumens	CRI	Life/Hrs.	MOL (in.)	UPC	Pack
S11465	30A25/LED/830/120V/ND	30	120V	E26	3750	80	15,000	7.32	045923114656	24/12
S11466	30A25/LED/840/120V/ND	30	120V	E26	3750	80	15,000	7.32	045923114663	24/12
S11467	30A25/LED/850/120V/ND	30	120V	E26	3750	80	15,000	7.32	045923114670	24/12

300W PS30 REPLACEMENT DIMMABLE

Features:

- Replaces up to 200W incandescent
- Improved lumens per watt—higher efficiency
- LED Filament and glass envelope construction
- Dimmable*
- Wet location
- T20 Compliant†
- 3 Year warranty



S11480, S11481, S11482

S11483, S11484, S11485



Item	Description	W	V	Base Type	Lumens	CRI	MOL (in.)	UPC	Pack
125W Replacement									
S11480	36PS30/LED/827/120V/DIM/E26	36	120V	E26	4500	80	7.32	045923114809	24/12
S11481	36PS30/LED/840/120V/DIM/E26	36	120V	E26	4500	80	7.32	045923114816	24/12
S11482	36PS30/LED/850/120V/DIM/E26	36	120V	E26	4500	80	7.32	045923114823	24/12
S11483	36PS30/LED/827/120V/DIM/E39	36	120V	E39	4500	80	7.32	045923114830	24/12
S11484	36PS30/LED/840/120V/DIM/E39	36	120V	E39	4500	80	7.32	045923114847	24/12
S11485	36PS30/LED/850/120V/DIM/E39	36	120V	E39	4500	80	7.32	045923114854	24/12

Product sheet SA2930

HI-PRO LED A21 LAMPS



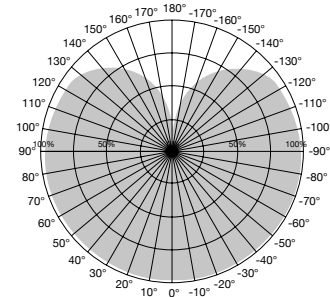
Features:

- High lumen, A21 lamps for industrial and commercial applications
- For use in bollard and post top lighting
- High ceiling recessed lighting
- Replaces high lumen incandescent and CFL lamps
- Dimmable & non-dimmable
- Damp location
- Saves over 80% on energy costs

- Advanced heat dissipation design
- Direct wire range voltage 120-277V options
- High efficiency—up to 150 LPW
- 2700K, 4000K and 5000K options
- Base up, base down or horizontal operation
- Long life—25,000 hours
- ENERGY STAR certified
- 5 Year limited warranty



HI-PRO LED A21 LAMPS



Beam Angle: 280°

80-929 65

125W Replacement



Item	Description	W	V	Bulb Shape	Base	Finish	CCT	Lm	CRI	MOL (in.)	MOD (in.)	Life (hrs.)	UPC	Pack
Dimmable														
S8791 [†]	20WA21/LED/927/120V/DIM	20	120	A21	E26	FR	2700K	2040	90	5.00	2.44	25K	045923087912	24/12
S8735 ^{*†}	20WA21/LED/827/120V/DIM	20	120	A21	E26	FR	2700K	2350	80	5.00	2.63	25K	045923087356	24/12
S8778 ^{*†}	20WA21/LED/840/120V/DIM	20	120	A21	E26	FR	4000K	2747	80	5.00	2.63	25K	045923087783	24/12
S8736 ^{^†}	20WA21/LED/850/120V/DIM	20	120	A21	E26	FR	5000K	2860	80	5.00	2.63	25K	045923087363	24/12
Non able														
S8792	20WA21/LED/927/120-277V	20	120-277	A21	E26	FR	2700K	2100	90	5.00	2.44	25K	045923087929	24/12
S8737 [*]	20WA21/LED/827/120-277V	20	120-277	A21	E26	FR	2700K	2450	80	5.00	2.63	25K	045923087370	24/12
S8779 [*]	20WA21/LED/840/120-277V	20	120-277	A21	E26	FR	4000K	2828	80	5.00	2.63	25K	045923087790	24/12
S8738 [*]	20WA21/LED/850/120-277V	20	120-277	A21	E26	FR	5000K	2910	80	5.00	2.63	25K	045923087387	24/12
Accessories														
92-410	MOGUL TO MED REDUCER 660W-600V												045923924101	200/10
80-929	LED HID SURGE PROTECTOR												045923809293	100/1

Product sheet SA2218

CCT AND WATTAGE SELECTABLE HI-PRO LED A-PLUS LAMPS



Features:

- 3000K, 4000K, 5000K Selectable
- Wattage selectable / High & Low
- 135 Lumens per watt
- Reduced envelope size
- Enclosed fixture rated
- Damp location
- Built in surge protection
- 50,000 hours



CCT AND WATTAGE SELECTABLE HI-PRO LED A-PLUS LAMPS



Advanced heat sink design ensures long lifespan, less maintenance.



ColorQuick™
Selectable Color Technology

Color temperature selection switch
4000K
3000K —|— 5000K
Color Temperature

Switch to/from the following CCT



PowerQuick™

Wattage Selectable
Wattage selection switch

Wide Variety of Wattage Options

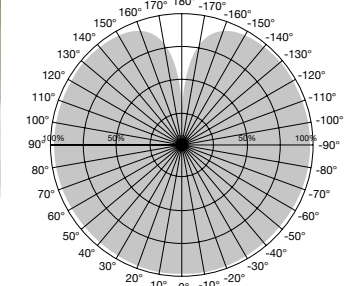


Item	Description	W	V	Base Type	CCT Selectable	Lumens @ 5K 100% Pwr	Lumens @ 5K 50% Pwr	CRI	Life/ Hrs.	M.O.L. (In.)	UPC	Pack
S13160	20W/AP23/LED/CCT/100-277V/E26	20	100-277	E26	3000/4000/5000	2600	N/A	80	50K	5.12	045923131608	24
S13161	25W/AP23/LED/CCT/100-277V/E26	25	100-277	E26	3000/4000/5000	3250	N/A	80	50K	5.12	045923131615	24
S13162	35W/AP28/LED/CCT/100-277V/E26	35/17	100-277	E26	3000/4000/5000	4550	2380	80	50K	6.26	045923131622	12
S13163**	35W/AP28/LED/CCT/100-277V/EX39	35/17	100-277	EX39	3000/4000/5000	4550	2380	80	50K	6.54	045923131639	12
S13164	45W/AP32/LED/CCT/100-277V/E26	45/22	100-277	E26	3000/4000/5000	5850	3060	80	50K	7.05	045923131646	12
S13165**	45W/AP32/LED/CCT/100-277V/EX39	45/22	100-277	EX39	3000/4000/5000	5850	3060	80	50K	7.32	045923131653	12
S13166	65W/AP37/LED/CCT/100-277V/E26	65/32	100-277	E26	3000/4000/5000	8450	4420	80	50K	7.76	045923131660	12
S13167**	65W/AP37/LED/CCT/100-277V/EX39	65/32	100-277	EX39	3000/4000/5000	8450	4420	80	50K	8.03	045923131677	12

*For minimum compartment size of enclosed fixture visit www.satco.com

Product sheet SA2878

LED T10 HIGH LUMEN LAMPS



Beam Angle: 360°



Features:

- High lumen output
- Generates less heat than halogen
- 3000 & 4000K
- c-ETL-us Listed
- 3 Year warranty

Applications

- Replaces Halogen T10 double envelope
- Picture lights
- Sconces
- Showcase displays
- Ceiling fixtures

Item	Description	W	V	Bulb Shape	Base	Finish	CCT	Lm	CRI	MOL (in.)	MOD (in.)	Life (hrs.)	UPC	Pack
75 Watt Replacement														
Dimmable														
S11224†	8T10/LED/HL/930/FR/DIM/CD	8	120	T10	E26	FR	3000K	900	90	4.02	1.26	15K	045923112249	24/12
S11225†	8T10/LED/HL/940/FR/DIM/CD	8	120	T10	E26	FR	4000K	900	90	4.02	1.26	15K	045923112256	24/12
Non-Dimmable														
S11218	8T10/LED/HL/30K/FR/ND/CD	8	120	T10	E26	FR	3000K	1020	80	4.02	1.26	15K	045923112188	24/12
S11219	8T10/LED/HL/40K/FR/ND/CD	8	120	T10	E26	FR	4000K	1080	80	4.02	1.26	15K	045923112195	24/12

Not for use in wet or damp locations.

Product sheet SA2734

DECORATIVE LED LAMPS

Features:

- 25W candle replacement uses only 2.8W
- 40W candle replacement uses only up to 4.5W
- Dimmable
- Damp location
- Long life—25,000 hours
- Approved for totally enclosed fixtures[^]
- ENERGY STAR certified*
- 5 Year warranty

Applications:

- Accent lighting
- Pendant lighting



CTC



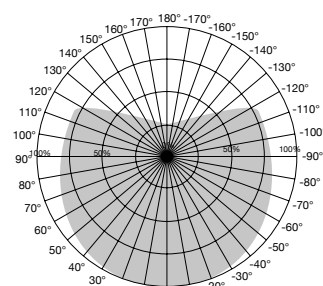
ETC



G25

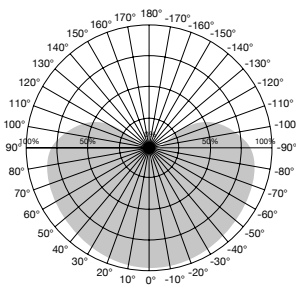


Candle Beam Profile



Beam Angle: 275°

Globe Beam Profile



Beam Angle: 175°



Item	Description	W	V	Bulb Shape	Base	Finish	CCT	Lm	CRI	MOL (in.)	MOD (in.)	Life (hrs.)	UPC	Pack
Decorative - B11														
S8950	2.8CTC/LED/3000K/165L/120V/CD	2.8	120	B11	E12	CL	3000K	160	80	3.75	1.38	25K	045923089503	12/CDs
S8951*	4.5ETC/LED/2700K/E12/120V/CD	4.5	120	B11	E12	CL	2700K	300	80	3.75	1.38	25K	045923089510	12/CDs
S8952*	4.5CTC/LED/3000K/E12/120V/CD	4.5	120	B11	E12	CL	3000K	300	80	3.75	1.38	25K	045923089527	12/CDs
S8953*	4.5ETC/LED/3000K/E26/120V/CD	4.5	120	B11	E26	CL	3000K	300	80	3.75	1.38	25K	045923089534	12/CDs
90 CRI—CEC/T20▲														
S29618*■	3.5CTC/LED/927/E12/120V	3.5	120	B11	E12	CL	2700K	300	90+	3.75	1.38	25K	045923296185	48/6
S28574*	3.5CTC/LED/930/E12/120V	3.5	120	B11	E12	CL	3000K	300	90+	3.75	1.38	25K	045923285745	48/6
S28617*	3.5ETC/LED/927/E26/120V	3.5	120	B11	E26	CL	2700K	300	90+	3.75	1.38	25K	045923286179	48/6
S28575	3.5ETC/LED/930/E26/120V	3.5	120	B11	E26	CL	3000K	300	90+	3.75	1.38	25K	045923285752	48/6
GLOBES - G25														
S9200*	6G25/LED/2700K/450L/120/D	6	120	G25	E26	WH	2700K	450	80	4.25	3.13	25K	045923092008	24/6
S9201*	6G25/LED/3000K/450L/120/D	6	120	G25	E26	WH	3000K	450	80	4.25	3.13	25K	045923092015	24/6
S9202	6G25/LED/4000K/450L/120/D	6	120	G25	E26	WH	4000K	450	80	4.25	3.13	25K	045923092022	24/6
S9203	6G25/LED/5000K/450L/120/D	6	120	G25	E26	WH	5000K	450	80	4.25	3.13	25K	045923092039	24/6
90 CRI—CEC/T20▲														
S29619*■	4G25/LED/927/120V	4	120	G25	E26	WH	2700K	360	90+	4.25	3.13	25K	045923296192	24/6
S28576*	4G25/LED/930/120V	4	120	G25	E26	WH	3000K	360	90+	4.25	3.13	25K	045923285769	24/6
S28618*	4G25/LED/940/120V	4	120	G25	E26	WH	4000K	360	90+	4.25	3.13	25K	045923286186	24/6
S28595	4G25/LED/950/120V	4	120	G25	E26	WH	5000K	360	90	4.25	3.13	25K	045923285950	24/6

*For minimum compartment size of enclosed fixture visit www.satco.com

Product sheet SA1370

LED 2W-2.5W FLAME LAMPS DECORATIVE FLAME EFFECT



Features:

- Realistic flame mode effect in base up or base down position
- Continuous Light Mode Capable
- Safe Alternative to Open Flames

Applications:

- Indoor
- Covered Outdoors
- Restaurants, Hotels, Bars,
- Places of Worship,
- Patios, Garden

S29807



S29806



Watch to Learn More!



Item	Description	W	V	Bulb Shape	Base	CCT	Lumens	MOL (in.)	MOD (in.)	Life/Hrs.	UPC	Pack
S29806	2.5/LED/T19/FLAME/816/120V/E26	2.5W	120V	T19	E26	1600K	150L	4.9	2.38	10,000	045923298066	24
S29807	2/LED/B11/FLAME/814/120V/E12	2W	120V	B11	E12	1400K	60L	4.5	1.42	10,000	045923298073	24

Product sheet SA2470

FULL SPECTRUM LED GROW LIGHTS

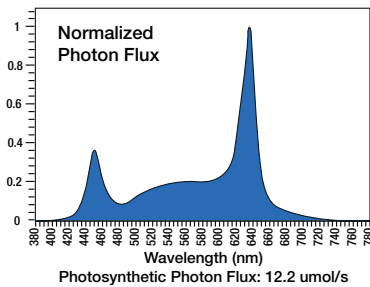


Features:

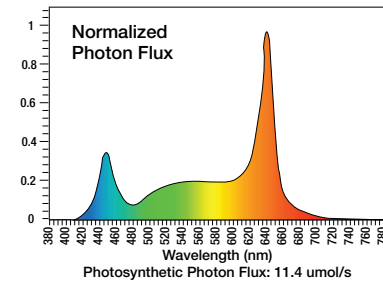
- Standard A19, BR30 AND PAR38 lamp shapes with E26 base
- Red spectrum fortified for increased budding and flowering
- Wet location rated
- 3 Year warranty



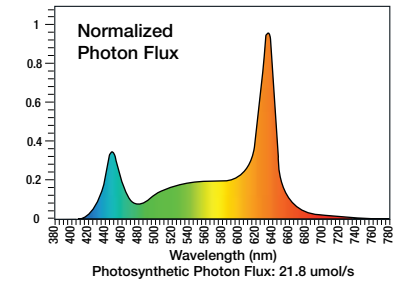
LED 9W A19 GROW LIGHT



LED 9W BR30 GROW LIGHT



LED 16W PAR38 GROW LIGHT



Item	Description	W	V	Bulb Shape	Base	CCT	CRI	MOL (in.)	MOD (in.)	Life (hrs.)	UPC	Pack
S11440	9A19/LED/GROW/120V	9	120	A19	E26	3000K	80	4.41	2.36	15K	045923114403	48/12
S11441	9BR30/LED/GROW/120V	9	120	BR30	E26	4000K	80	5.12	3.70	15K	045923114410	12
S11442	16PAR38/LED/GROW/120V	16	120	PAR38	E26	3000K	80	5.00	4.72	15K	045923114427	12

Product sheet SA2470

LED LINEAR T10 LAMPS

Features:

Energy efficient alternative to traditional 35W, 60W and 150W T10 linear incandescent lamps use only 5W, 7W and 13W

Direct replacements for LN35, LN60 and LN150 lamps

Full PC material (bulb opaque)

Simple installation—no ballasts or transformers required

S14S Base

Dimmable

2700K

Long life—30,000 hours

5 Year warranty



Item	Description	W	V	Bulb Shape	Base	Finish	CCT	Lm	CRI	MOL (in.)	MOD (in.)	Life (hrs.)	UPC	Pack
S8191	LED LN35 2700K 11.8" DIM	5	120	T10	S14S	FR	2700K	330	80	11.81	1.25	30K	045923081910	12
S8189	LED LN60 2700K 19.68" DIM	7	120	T10	S14S	FR	2700K	500	80	19.69	1.25	30K	045923081897	12
S8190	LED LN150 2700K 39.37 DIM	13	120	T10	S14S	FR	2700K	1000	80	39.37	1.25	30K	045923081903	12

Product sheet SA2427

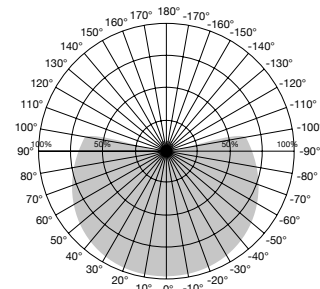
LED SQUAT LAMP

Features:

- Direct replacement for squat GU24-based CFL lamps
- 13 Watt CFL replacement uses only 9.5 Watts (60W incandescent)
- 18 Watt CFL replacement uses only 12 Watts (75W incandescent)
- GU24 base
- Uniform luminance pattern
- 2700K and 4000K options
- 90 CRI
- Approved for totally enclosed fixtures ^
- Damp location
- Long life—25,000 hours
- 5 Year warranty

Applications:

- Indoor residential and commercial lighting
- Utility fixtures
- Closet lighting



Beam Angle: 100°



Item	Description	W	V	Bulb Shape	Base	Finish	CCT	Lm	CRI	MOL (in.)	MOD (in.)	Life (hrs.)	UPC	Pack
S11540	9.5W/SQUAT/LED/27K/GU24	9.5	120	T3	GU24	FR	2700K	800	90	2.81	2.75	25K	045923115400	24/6
S11541	9.5W/SQUAT/LED/40K/GU24	9.5	120	T3	GU24	FR	4000K	800	90	2.81	2.75	25K	045923015410	24/6
S11542	12W/SQUAT/LED/27K/GU24	12	120	T3	GU24	FR	2700K	1100	90	2.81	2.75	25K	045923115424	24/6
S11543	12W/SQUAT/LED/40K/GU24	12	120	T3	GU24	FR	4000K	1100	90	2.81	2.75	25K	045923115431	24/6

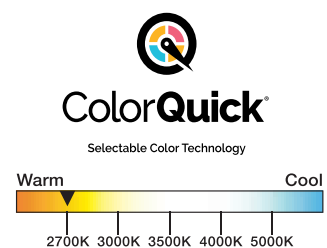
Average rated life may vary depending on application, use, fixture type and environment.
 ^See warranty for details at www.satco.com

LED BR LAMPS CCT SELECTABLE



Features:

- CCT Selectable
2700K/3000K/3500K/4000K/5000K
- Broad 120° beam angle for maximum coverage of the illuminated area
- 90 CRI for exceptional color rendering



LED BR LAMPS CCT SELECTABLE



BR30

BR40



Item	Description	Lm	Wattage	Input Current	CCT	UPC	Pack
BR30							
S11778	8.5BR30/LED/5CCT/E26/120V	700	8.5W	0.0708A	2700K/3000K/3500K/4000K/5000K	045923117787	24/6
S11780	8.5BR30/LED/5CCT/E26/120V/6PK	700	8.5W	0.0708A	2700K/3000K/3500K/4000K/5000K	045923117800	4/6
BR40							
S11779	13BR40/LED/5CCT/E26/120V	1,075	13W	0.108A	2700K/3000K/3500K/4000K/5000K	045923117794	12/6
S11781	13BR40/LED/5CCT/E26/120V/4PK	1,075	13W	0.108A	2700K/3000K/3500K/4000K/5000K	045923117817	4/4

Product sheet SA2998

R20, BR30 & BR40 LED REFLECTORS



R20 Features:

- 50R20 replacement uses only up to 6.5 Watts
- Indoor residential and commercial lighting
- Dimmable
- Damp location
- Long life—25,000 hours
- ENERGY STAR certified*
- 5 Year warranty
- CEC T20/T24

BR30 Features:

- 65BR30 replacement uses only up to 9.5 Watts
- Indoor residential and commercial lighting
- Display lighting
- New one piece, lighter weight design
- Dimmable
- Long life—25,000 hours
- ENERGY STAR certified
- 5 Year warranty
- CEC T20/T24



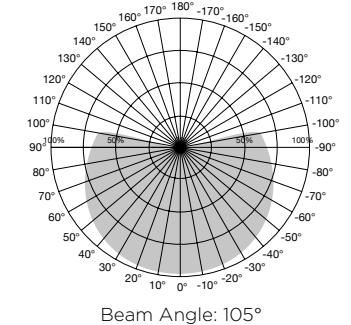
R20 LED REFLECTORS 80 & 90 CRI



Item	Description	W	V	Bulb Shape	Base	Housing Finish	CCT	Lm	CRI	Beam	MOL (in.)	MOD (in.)	Life (hrs.)	UPC	Pack
S9630*	6.5R20/LED/2700K/525L/120V	6.5	120	R20	E26	GRAY	2700K	525	80	107°	3.94	2.50	25K	045923096303	24/6
S9631*	6.5R20/LED/3000K/525L/120V	6.5	120	R20	E26	GRAY	3000K	525	80	107°	3.94	2.50	25K	045923096310	24/6
S9632*	6.5R20/LED/4000K/525L/120V	6.5	120	R20	E26	GRAY	4000K	525	80	107°	3.94	2.50	25K	045923096327	24/6
S9633*	6.5R20/LED/5000K/525L/120V	6.5	120	R20	E26	GRAY	5000K	525	80	107°	3.94	2.50	25K	045923096334	24/6
90 CRI—CEC/T20▲															
S29614*	6R20/LED/927/120V	6	120	R20	E26	GRAY	2700K	525	90+	107°	3.94	2.50	25K	045923296147	24/6
S28577*	6R20/LED/930/120V	6	120	R20	E26	GRAY	3000K	525	90+	107°	3.94	2.50	25K	045923285776	24/6
S28491*	6R20/LED/940/120V	6	120	R20	E26	GRAY	4000K	525	90+	107°	3.94	2.50	25K	045923284915	24/6
S28619*	6R20/LED/950/120V	6	120	R20	E26	GRAY	5000K	525	90+	107°	3.94	2.50	25K	045923286193	24/6

Product sheet SA2629

BR30 LED REFLECTORS 80 & 90 CRI



Item	Description	W	V	Bulb Shape	Base	Housing Finish	CCT	Lm	CRI	Beam	MOL (in.)	MOD (in.)	Life (hrs.)	UPC	Pack
S9620*	9.5BR30/LED/2700K/750L/120V/D	9.5	120	BR30	E26	GRAY	2700K	750	80	105°	5.19	3.75	25K	045923096204	12/6
S9621*	9.5BR30/LED/3000K/750L/120V/D	9.5	120	BR30	E26	GRAY	3000K	750	80	105°	5.19	3.75	25K	045923096211	12/6
S9622*	9.5BR30/LED/4000K/750L/120V/D	9.5	120	BR30	E26	GRAY	4000K	750	80	105°	5.19	3.75	25K	045923096228	12/6
S9623*	9.5BR30/LED/5000K/750L/120V/D	9.5	120	BR30	E26	GRAY	5000K	750	80	105°	5.19	3.75	25K	045923096235	12/6
S9624	9.5BR30/LED/27K/GU24/750L/120V	9.5	120	BR30	GU24	GRAY	2700K	750	80	105°	4.94	3.75	25K	045923096242	12/6
S9627	9.5BR30/LED/30K/GU24/750L/120V	9.5	120	BR30	GU24	GRAY	3000K	750	80	105°	4.94	3.75	25K	045923096273	12/6
90 CRI—CEC/T20▲															
S29625*	7.5BR30/LED/927/120V	7.5	120	BR30	E26	GRAY	2700K	650	90+	105°	5.19	3.75	25K	045923296253	12/6
S28578*	7.5BR30/LED/930/120V	7.5	120	BR30	E26	GRAY	3000K	650	90+	105°	5.19	3.75	25K	045923285783	12/6
S28547*	7.5BR30/LED/935/120V	7.5	120	BR30	E26	GRAY	3500K	650	90+	105°	5.19	3.75	25K	045923285479	12/6
S28492*	7.5BR30/LED/940/120V	7.5	120	BR30	E26	GRAY	4000K	650	90+	105°	5.19	3.75	25K	045923284922	12/6
S28596*	7.5BR30/LED/950/120V	7.5	120	BR30	E26	GRAY	5000K	650	90+	105°	5.19	3.75	25K	045923285967	12/6
S11333*	7.5BR30/LED/927/120V/2PK	7.5	120	BR30	E26	GRAY	2700K	650	90	105°	5.16	3.74	25K	045923113338	12/6
S29626*	7.5BR30/LED/927/GU24/120V	7.5	120	BR30	GU24	GRAY	2700K	650	90+	105°	5.19	3.75	25K	045923296260	12/6
S28579*	7.5BR30/LED/930/GU24/120V	7.5	120	BR30	GU24	GRAY	3000K	650	90+	105°	5.19	3.75	25K	045923285790	12/6

Product sheet SA1784

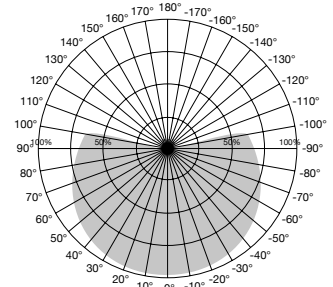
8W BR30 LED 2-PACK DISPLAY

Features:

- 65 Watt replacement uses only 8 Watts
- Indoor residential and commercial lighting
- Great for retail end caps or counter areas
- 2700K
- Dimmable
- Damp location
- High efficiency
- Long life—25,000 hours
- ENERGY STAR certified
- 5 Year warranty



Sold 24 2- s per display



Beam Angle: 105°



Item	Description	W	V	Bulb Shape	Base	Housing Finish	CCT	Lm	CRI	Beam	MOL (in.)	MOD (in.)	Life (hrs.)	UPC	Pack
S9698	8BR30/LED/2700K/650L/2PK	8	120	BR30	E26	GRAY	2700K	650	80	105°	5.19	3.75	25K	045923096983	24-2pks

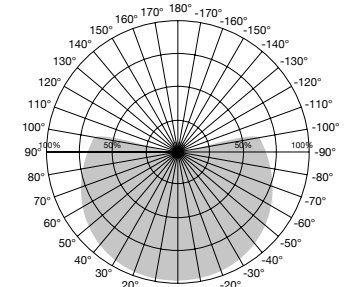
Must be ordered in full cases only.

Product sheet SA2042

10W BR30 LED REFLECTOR DISPLAY PACKS

Features:

- 65W BR30 replacement uses 10 Watts
- Indoor residential and commercial lighting
- 2700K
- Dimmable
- Damp location
- Long life—25,000 hours
- ENERGY STAR certified*
- 3 Year warranty



Beam Angle: 100°



Item	Description	W	V	Bulb Shape	Base	Housing Finish	CCT	Lm	CRI	Beam	MOL (in.)	MOD (in.)	Life (hrs.)	UPC	Pack
Display Pack															
S29628	10BR30/LED/2700K/700L/120V/D	10	120	BR30	E26	WH	2700K	700	80+	100°	5.13	3.75	25K	045923296284	48/6

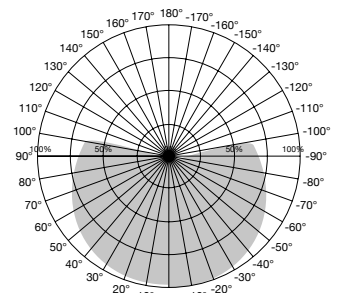
Must be ordered in full cases only.

Product sheet SA2281

8.5W BR30 LED REFLECTOR 6 PACKS



6 pack Contractor Pack



Beam Angle: 100°



Item	Description	Lm	Watts	Bulb Type	Volts	CCT	UPC	Pack
S11470	8.5BR30/LED/827/120V	700	8.5W	BR30	120V	2700	045923114700	4-6pks
S11471	8.5BR30/LED/830/120V	700	8.5W	BR30	120V	3000	045923114717	4-6pks
S11472	8.5BR30/LED/840/120V	700	8.5W	BR30	120V	4000	045923114724	4-6pks
S11473	8.5BR30/LED/850/120V	700	8.5W	BR30	120V	5000	045923114731	4-6pks
90 CRI-CEC/T20								
S11474	8.5BR30/LED/927/120V	700	8.5W	BR30	120V	2700	045923114748	4-6pks

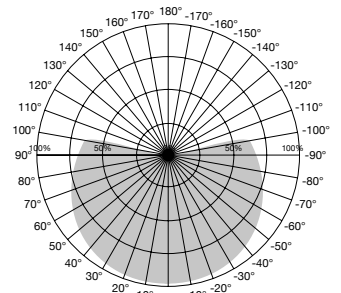
* See separate warranty for complete terms and conditions. Must be ordered in full cases only. Must be ordered in full cases only.

Product sheet SA2974

11.5W, 13W & 16.5W BR40 LED REFLECTORS 80 & 90 CRI

Features:

- 65W BR40 replacement uses only up to 13 Watts
- 85W BR40 replacement uses only 16.5 Watts
- Indoor residential and commercial lighting
- Dimmable
- Damp location
- Long life—25,000 hours
- ENERGY STAR certified*
- 5 Year warranty



Beam Angle: 103°



Item	Description	W	V	Bulb Shape	Base	Housing Finish	CCT	Lm	CRI	Beam	MOL (in.)	MOD (in.)	Life (hrs.)	UPC	Pack
S9634	11.5BR40/LED/2700K/940L/120V	11.5	120	BR40	E26	GRAY	2700K	940	80	103°	6.44	5.00	25K	045923096341	12/6
S9635	11.5BR40/LED/3000K/940L/120V	11.5	120	BR40	E26	GRAY	3000K	940	80	103°	6.44	5.00	25K	045923096358	12/6
S9636	11.5BR40/LED/4000K/940L/120V	11.5	120	BR40	E26	GRAY	4000K	940	80	103°	6.44	5.00	25K	045923096365	12/6
S9637	11.5BR40/LED/5000K/940L/120V	11.5	120	BR40	E26	GRAY	5000K	940	80	103°	6.44	5.00	25K	045923096372	12/6
S9638	16.5BR40/LED/2700K/1200L/120V	16.5	120	BR40	E26	GRAY	2700K	1200	80	103°	6.44	5.00	25K	045923096389	12/6
S9639	16.5BR40/LED/3000K/1200L/120V	16.5	120	BR40	E26	GRAY	3000K	1200	80	103°	6.44	5.00	25K	045923096396	12/6
S9640	16.5BR40/LED/4000K/1200L/120V	16.5	120	BR40	E26	GRAY	4000K	1200	80	103°	6.44	5.00	25K	045923096402	12/6
S9641	16.5BR40/LED/5000K/1200L/120V	16.5	120	BR40	E26	GRAY	5000K	1200	80	103°	6.44	5.00	25K	045923096419	12/6
90 CRI-CEC/T20▲															
S29615	13BR40/LED/927/120V	13	120	BR40	E26	GRAY	2700K	1075	90+	103°	6.44	5.00	25K	045923296154	12/6
S28580	13BR40/LED/930/120V	13	120	BR40	E26	GRAY	3000K	1075	90+	103°	6.44	5.00	25K	045923285806	12/6
S28493	13BR40/LED/940/120V	13	120	BR40	E26	GRAY	4000K	1075	90+	103°	6.44	5.00	25K	045923284939	12/6
S28597	13BR40/LED/950/120V	13	120	BR40	E26	GRAY	5000K	1075	90+	103°	6.44	5.00	25K	045923285974	12/6

Product sheet SA1812

LED PAR LAMPS CCT SELECTABLE



Features:

- 5 CCT Selectable with unique color selection dial
- Available in three beam angle options
- Rated for use in enclosed fixtures
- Wet location rated for use indoors and outdoors



WARM WHITE - 2700K

SOFT WHITE - 3000K

NEUTRAL WHITE - 3500K

COOL WHITE - 4000K

NATURAL LIGHT - 5000K

LED PAR LAMPS CCT SELECTABLE



PAR20



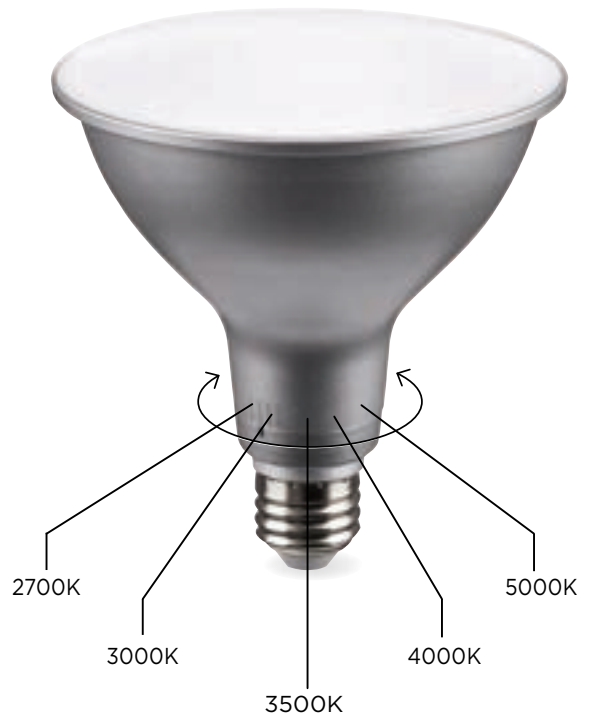
PAR30/SN



PAR30/LN



PAR38/38



Item	Lm	W	V	Input Current	Beam Angle	CBCP (cd)	UPC	Pack
PAR20 - Replaces 50 PAR20								
S11580	500	5.5	120	0.078A	25°	1,255	045923115806	24/6
S11581	500	5.5	120	0.078A	40°	884	045923115813	24/6
PAR30/SN - Replaces 75 PAR30 (Short)								
S11582	1,000	11	120	0.117A	25°	2,910	045923115820	12/6
S11583	1,000	11	120	0.117A	40°	1,315	045923115837	12/6
S11584	1,000	11	120	0.117A	60°	834	045923115844	12/6
PAR30/LN - Replaces 75 PAR30 (Long)								
S11585	1,000	11	120	0.117A	25°	2,910	045923115851	12/6
S11586	1,000	11	120	0.117A	40°	1,315	045923115868	12/6
S11587	1,000	11	120	0.117A	60°	834	045923115875	12/6
PAR38 - Replaces 90 PAR38								
S11588	1,200	13.3	120	0.180A	25°	3,700	045923115882	12/6
S11589	1,200	13.3	120	0.180A	40°	2,160	045923115899	12/6
S11590	1,200	13.3	120	0.180A	60°	1,000	045923115905	12/6
PAR38 - Replaces 120 PAR38								
S11591	1,400	15.5	120	0.208A	40°	1,758	045923115912	12/6

Product sheet SA2723

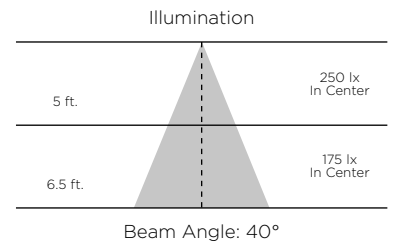
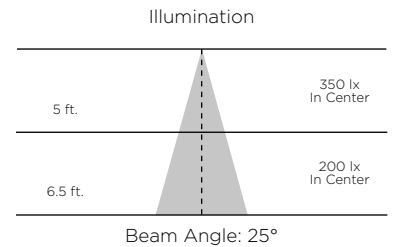
SILVER PAR SERIES



Features:

- Silver colored reflector
- Traditional lens
- Indoor/outdoor/wet location
- Dimmable
- 25°, 40° and 60° Beam spreads
- 2700K, 3000K, 3500K, 4000K and 5000K
- 90 CRI

SILVER PAR SERIES PAR 20 LAMPS



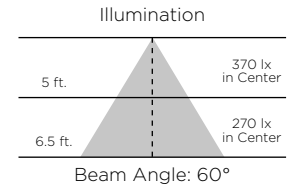
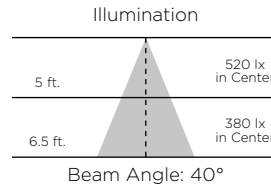
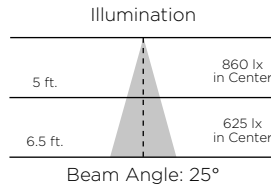
Item	Description	W	V	Bulb Shape	Base	Housing Finish	CCT	Lm	CRI	Beam	MOL (in.)	MOD (in.)	Life (hrs.)	UPC	Pack
PAR20 6.5W LED - 50W Replacement															
S29400	6.5PAR20/LED/25'/927/120V	6.5	120	PAR20	E26	SLVR	2700K	520	90	25°	2.99	2.44	25K	045923294006	24/6
S29401	6.5PAR20/LED/25'/930/120V	6.5	120	PAR20	E26	SLVR	3000K	520	90	25°	2.99	2.44	25K	045923294013	24/6
S29402	6.5PAR20/LED/25'/935/120V	6.5	120	PAR20	E26	SLVR	3500K	520	90	25°	2.99	2.44	25K	045923294020	24/6
S29403	6.5PAR20/LED/25'/940/120V	6.5	120	PAR20	E26	SLVR	4000K	520	90	25°	2.99	2.44	25K	045923294037	24/6
S29404	6.5PAR20/LED/25'/950/120V	6.5	120	PAR20	E26	SLVR	5000K	520	90	25°	2.99	2.44	25K	045923294044	24/6
S29405	6.5PAR20/LED/40'/927/120V	6.5	120	PAR20	E26	SLVR	2700K	520	90	40°	2.99	2.44	25K	045923294051	24/6
S29406	6.5PAR20/LED/40'/930/120V	6.5	120	PAR20	E26	SLVR	3000K	520	90	40°	2.99	2.44	25K	045923294068	24/6
S29407	6.5PAR20/LED/40'/935/120V	6.5	120	PAR20	E26	SLVR	3500K	520	90	40°	2.99	2.44	25K	045923294075	24/6
S29408	6.5PAR20/LED/40'/940/120V	6.5	120	PAR20	E26	SLVR	4000K	520	90	40°	2.99	2.44	25K	045923294082	24/6
S29409	6.5PAR20/LED/40'/950/120V	6.5	120	PAR20	E26	SLVR	5000K	520	90	40°	2.99	2.44	25K	045923294099	24/6

^ For minimum compartment size of enclosed fixture visit www.satco.com

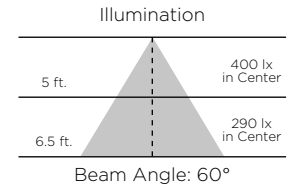
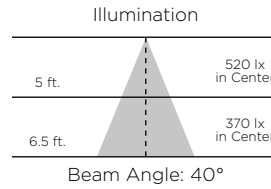
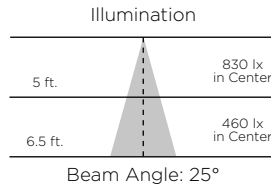
Product sheet SA2723

SILVER PAR SERIES

PAR30/SN



PAR30/LN

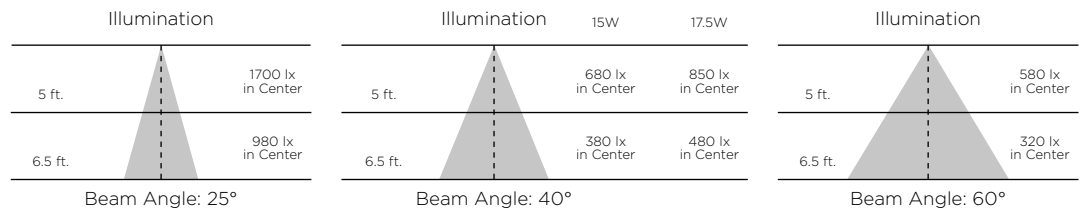


Item	Description	W	V	Bulb Shape	Base	Housing Finish	CCT	Lm	CRI	Beam	MOL (in.)	MOD (in.)	Life (hrs.)	UPC	Pack
PAR30 Short Neck 12.5W LED - 75W Replacement															
S29410	12.5PAR30/SN/LED/25°/927/120V	12.5	120	PAR30SN	E26	SLVR	2700K	1000	90	25°	3.70	3.74	25K	045923294105	12/6
S29411	12.5PAR30/SN/LED/25°/930/120V	12.5	120	PAR30SN	E26	SLVR	3000K	1000	90	25°	3.70	3.74	25K	045923294112	12/6
S29412	12.5PAR30/SN/LED/25°/935/120V	12.5	120	PAR30SN	E26	SLVR	3500K	1000	90	25°	3.70	3.74	25K	045923294129	12/6
S29413	12.5PAR30/SN/LED/25°/940/120V	12.5	120	PAR30SN	E26	SLVR	4000K	1000	90	25°	3.70	3.74	25K	045923294136	12/6
S29414	12.5PAR30/SN/LED/25°/950/120V	12.5	120	PAR30SN	E26	SLVR	5000K	1000	90	25°	3.70	3.74	25K	045923294143	12/6
S29415	12.5PAR30/SN/LED/40°/927/120V	12.5	120	PAR30SN	E26	SLVR	2700K	1000	90	40°	3.70	3.74	25K	045923294150	12/6
S29416	12.5PAR30/SN/LED/40°/930/120V	12.5	120	PAR30SN	E26	SLVR	3000K	1000	90	40°	3.70	3.74	25K	045923294167	12/6
S29417	12.5PAR30/SN/LED/40°/935/120V	12.5	120	PAR30SN	E26	SLVR	3500K	1000	90	40°	3.70	3.74	25K	045923294174	12/6
S29418	12.5PAR30/SN/LED/40°/940/120V	12.5	120	PAR30SN	E26	SLVR	4000K	1000	90	40°	3.70	3.74	25K	045923294181	12/6
S29419	12.5PAR30/SN/LED/40°/950/120V	12.5	120	PAR30SN	E26	SLVR	5000K	1000	90	40°	3.70	3.74	25K	045923294198	12/6
S29420	12.5PAR30/SN/LED/60°/927/120V	12.5	120	PAR30SN	E26	SLVR	2700K	1000	90	60°	3.70	3.74	25K	045923294204	12/6
S29421	12.5PAR30/SN/LED/60°/930/120V	12.5	120	PAR30SN	E26	SLVR	3000K	1000	90	60°	3.70	3.74	25K	045923294211	12/6
S29422	12.5PAR30/SN/LED/60°/935/120V	12.5	120	PAR30SN	E26	SLVR	3500K	1000	90	60°	3.70	3.74	25K	045923294228	12/6
S29423	12.5PAR30/SN/LED/60°/940/120V	12.5	120	PAR30SN	E26	SLVR	4000K	1000	90	60°	3.70	3.74	25K	045923294235	12/6
S29424	12.5PAR30/SN/LED/60°/950/120V	12.5	120	PAR30SN	E26	SLVR	5000K	1000	90	60°	3.70	3.74	25K	045923294242	12/6
PAR30 Long Neck 12.5W LED - 75W Replacement															
S29425	12.5PAR30/LN/LED/25°/927/120V	12.5	120	PAR30LN	E26	SLVR	2700K	1000	90	25°	4.57	3.74	25K	045923294259	12/6
S29426	12.5PAR30/LN/LED/25°/930/120V	12.5	120	PAR30LN	E26	SLVR	3000K	1000	90	25°	4.57	3.74	25K	045923294266	12/6
S29427	12.5PAR30/LN/LED/25°/935/120V	12.5	120	PAR30LN	E26	SLVR	3500K	1000	90	25°	4.57	3.74	25K	045923294273	12/6
S29428	12.5PAR30/LN/LED/25°/940/120V	12.5	120	PAR30LN	E26	SLVR	4000K	1000	90	25°	4.57	3.74	25K	045923294280	12/6
S29429	12.5PAR30/LN/LED/25°/950/120V	12.5	120	PAR30LN	E26	SLVR	5000K	1000	90	25°	4.57	3.74	25K	045923294297	12/6
S29430	12.5PAR30/LN/LED/40°/927/120V	12.5	120	PAR30LN	E26	SLVR	2700K	1000	90	40°	4.57	3.74	25K	045923294303	12/6
S29431	12.5PAR30/LN/LED/40°/930/120V	12.5	120	PAR30LN	E26	SLVR	3000K	1000	90	40°	4.57	3.74	25K	045923294310	12/6
S29432	12.5PAR30/LN/LED/40°/935/120V	12.5	120	PAR30LN	E26	SLVR	3500K	1000	90	40°	4.57	3.74	25K	045923294327	12/6
S29433	12.5PAR30/LN/LED/40°/940/120V	12.5	120	PAR30LN	E26	SLVR	4000K	1000	90	40°	4.57	3.74	25K	045923294334	12/6
S29434	12.5PAR30/LN/LED/40°/950/120V	12.5	120	PAR30LN	E26	SLVR	5000K	1000	90	40°	4.57	3.74	25K	045923294341	12/6
S29435	12.5PAR30/LN/LED/60°/927/120V	12.5	120	PAR30LN	E26	SLVR	2700K	1000	90	60°	4.57	3.74	25K	045923294358	12/6
S29436	12.5PAR30/LN/LED/60°/930/120V	12.5	120	PAR30LN	E26	SLVR	3000K	1000	90	60°	4.57	3.74	25K	045923294365	12/6
S29437	12.5PAR30/LN/LED/60°/935/120V	12.5	120	PAR30LN	E26	SLVR	3500K	1000	90	60°	4.57	3.74	25K	045923294372	12/6
S29438	12.5PAR30/LN/LED/60°/940/120V	12.5	120	PAR30LN	E26	SLVR	4000K	1000	90	60°	4.57	3.74	25K	045923294389	12/6
S29439	12.5PAR30/LN/LED/60°/950/120V	12.5	120	PAR30LN	E26	SLVR	5000K	1000	90	60°	4.57	3.74	25K	045923294396	12/6

*For minimum compartment size of enclosed fixture visit www.satco.com

Product sheet SA2723

SILVER PAR SERIES PAR 38 LAMPS



Item	Description	W	V	Bulb Shape	Base	Housing Finish	CCT	Lm	CRI	Beam	MOL (in.)	MOD (in.)	Life (hrs.)	UPC	Pack
PAR 38 15W LED - 90W Replacement															
S29440	15PAR38/LED/25'/927/120V	15	120	PAR38	E26	SLVR	2700K	1200	90	25°	5.00	4.72	25K	045923294402	12/6
S29441	15PAR38/LED/25'/930/120V	15	120	PAR38	E26	SLVR	3000K	1200	90	25°	5.00	4.72	25K	045923294419	12/6
S29442	15PAR38/LED/25'/935/120V	15	120	PAR38	E26	SLVR	3500K	1200	90	25°	5.00	4.72	25K	045923294426	12/6
S29443	15PAR38/LED/25'/940/120V	15	120	PAR38	E26	SLVR	4000K	1200	90	25°	5.00	4.72	25K	045923294433	12/6
S29444	15PAR38/LED/25'/950/120V	15	120	PAR38	E26	SLVR	5000K	1200	90	25°	5.00	4.72	25K	045923294440	12/6
S29445	15PAR38/LED/40'/927/120V	15	120	PAR38	E26	SLVR	2700K	1200	90	40°	5.00	4.72	25K	045923294457	12/6
S29446	15PAR38/LED/40'/930/120V	15	120	PAR38	E26	SLVR	3000K	1200	90	40°	5.00	4.72	25K	045923294464	12/6
S29447	15PAR38/LED/40'/935/120V	15	120	PAR38	E26	SLVR	3500K	1200	90	40°	5.00	4.72	25K	045923294471	12/6
S29448	15PAR38/LED/40'/940/120V	15	120	PAR38	E26	SLVR	4000K	1200	90	40°	5.00	4.72	25K	045923294488	12/6
S29449	15PAR38/LED/40'/950/120V	15	120	PAR38	E26	SLVR	5000K	1200	90	40°	5.00	4.72	25K	045923294495	12/6
S29450	15PAR38/LED/60'/927/120V	15	120	PAR38	E26	SLVR	2700K	1200	90	60°	5.00	4.72	25K	045923294501	12/6
S29451	15PAR38/LED/60'/930/120V	15	120	PAR38	E26	SLVR	3000K	1200	90	60°	5.00	4.72	25K	045923294518	12/6
S29452	15PAR38/LED/60'/935/120V	15	120	PAR38	E26	SLVR	3500K	1200	90	60°	5.00	4.72	25K	045923294525	12/6
S29453	15PAR38/LED/60'/940/120V	15	120	PAR38	E26	SLVR	4000K	1200	90	60°	5.00	4.72	25K	045923294532	12/6
S29454	15PAR38/LED/60'/950/120V	15	120	PAR38	E26	SLVR	5000K	1200	90	60°	5.00	4.72	25K	045923294549	12/6
PAR38 15W LED 2 Pack - Non-Dimmable - 90W Replacement															
S29457	15PAR38/LED/60'/930/120V/ND/2P	15	120	PAR38	E26	SLVR	3000K	1200	90	60°	5.00	4.72	25K	045923294570	8-2pks
PAR38 17.5W LED - 120W Replacement															
S29455	17.5PAR38/LED/40'/930/120V	17.5	120	PAR38	E26	SLVR	3000K	1400	90	40°	5.00	4.72	25K	045923294556	12/6
S29456	17.5PAR38/LED/40'/940/120V	17.5	120	PAR38	E26	SLVR	4000K	1400	90	40°	5.00	4.72	25K	045923294563	12/6

*For minimum compartment size of enclosed fixture visit www.satco.com

Product sheet SA2723

PAR 20, 30 & 38 LAMPS CONTRACTOR SERIES



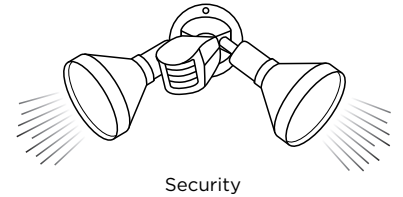
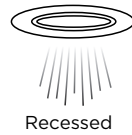
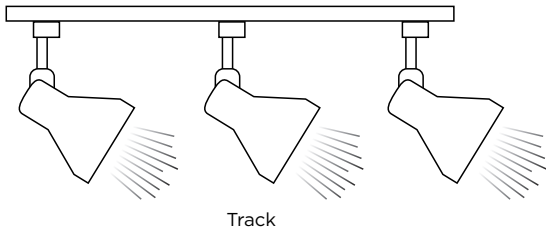
Features:

- 90 CRI - Superior light
- Indoor/outdoor
- Dimmable
- 40° Beam angle
- 3000K and 4000K

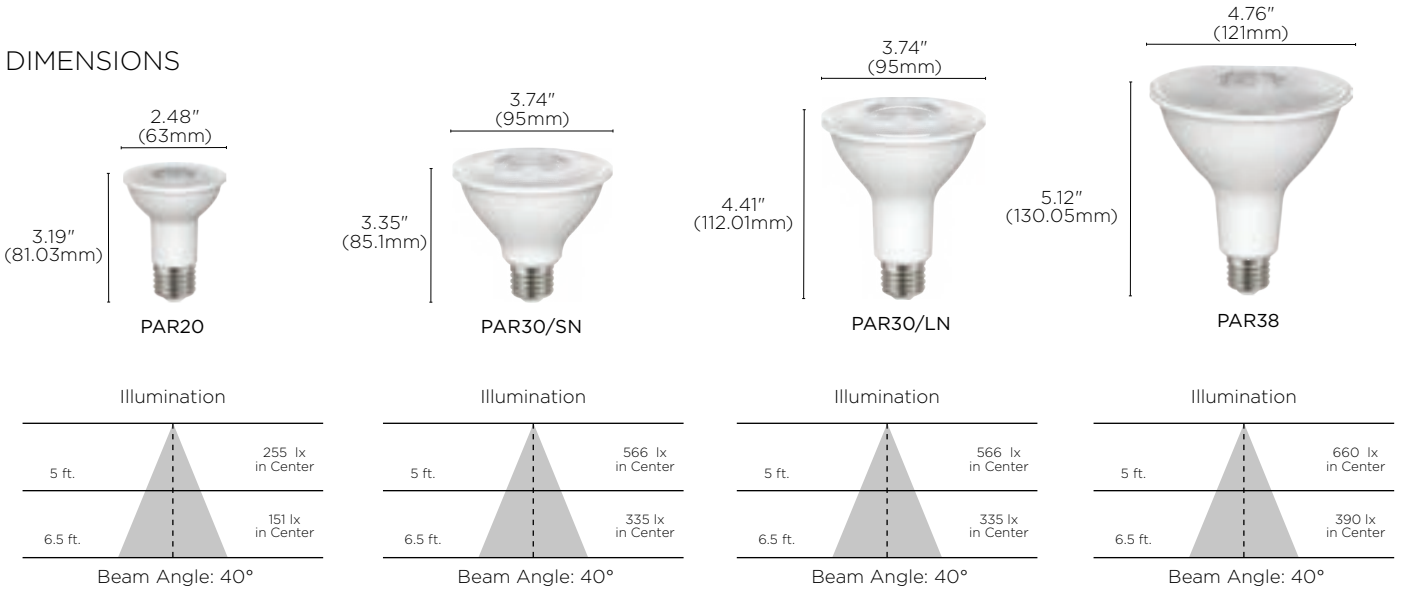


PAR 20, 30 & 38 LAMPS CONTRACTOR SERIES

APPLICATIONS



DIMENSIONS



Item	Description	W	V	Bulb Shape	Base	Housing Finish	CCT	Lm	CRI	Beam	MOL (in.)	MOD (in.)	Life (hrs.)	UPC	Pack
PAR20 - 50W Replacement															
S22210	5.5PAR20/LED/930/FL/120V	5.5	120	PAR20	E26	WH	3000K	500	90	40°	3.19	2.48	15K	045923210433	24/6
S22211	5.5PAR20/LED/940/FL/120V	5.5	120	PAR20	E26	WH	4000K	500	90	40°	3.19	2.48	15K	045923210440	24/6
PAR30 - 75W Replacement (Short)															
S22212	8.5PAR30S/LED/930/FL/120V	8.5	120	PAR 30S	E26	WH	3000K	700	90	40°	3.35	3.74	15K	045923210457	12/6
S22213	8.5PAR30S/LED/940/FL/120V	8.5	120	PAR 30S	E26	WH	4000K	700	90	40°	3.35	3.74	15K	045923210464	12/6
PAR30 - 75W Replacement (Long)															
S22214	8.5PAR30L/LED/930/FL/120V	8.5	120	PAR 30L	E26	WH	3000K	700	90	40°	4.41	3.74	15K	045923210471	12/6
S22215	8.5PAR30L/LED/940/FL/120V	8.5	120	PAR 30L	E26	WH	4000K	700	90	40°	4.41	3.74	15K	045923210488	12/6
S22218	8.5PAR30L/LED/930/FL/120V/2PK	8.5	120	PAR 30L	E26	WH	3000K	700	90	40°	4.41	3.74	15K	045923210518	8/2pks
PAR38 - 90W Replacement															
S22216	11.5PAR38/LED/930/FL/120V	11.5	120	PAR 38	E26	WH	3000K	1000	90	40°	5.12	4.76	15K	045923210495	12/6
S22217	11.5PAR38/LED/940/FL/120V	11.5	120	PAR 38	E26	WH	4000K	1000	90	40°	5.12	4.76	15K	045923210501	12/6
S22219	11.5PAR38/LED/930/FL/120V/2PK	11.5	120	PAR 38	E26	WH	3000K	1000	90	40°	5.12	4.76	15K	045923210525	8/2

*For minimum compartment size of enclosed fixture visit www.satco.com

Product sheet SA2490

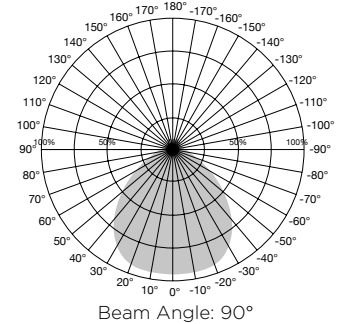
LED PAR38 COLORS



Features:

- High efficiency—uses only 11.5 Watts
- Improved color
- Superior design
- Indoor/outdoor
- Dimmable

LED PAR38 COLORS



Item	Description	W	V	Bulb Shape	Base	Lens Finish	CRI	Beam	MOL (in.)	MOD (in.)	Life (hrs.)	UPC	Pack
S29480	11.5PAR38/LED/90°/RED	11.5	120	PAR38	E26	RED	80	90°	5.20	4.75	15K	045923294808	12/6
S29481	11.5PAR38/LED/90°/GREEN	11.5	120	PAR38	E26	GRN	80	90°	5.20	4.75	15K	045923294815	12/6
S29482	11.5PAR38/LED/90°/BLUE	11.5	120	PAR38	E26	BLUE	80	90°	5.20	4.75	15K	045923294822	12/6
S29483	11.5PAR38/LED/90°/AMBER	11.5	120	PAR38	E26	AMB	80	90°	5.20	4.75	15K	045923294839	12/6
S29484	11.5PAR38/LED/90°/YELLOW	11.5	120	PAR38	E26	YLW	80	90°	5.20	4.75	15K	045923294846	12/6

*Visit www.satco.com for compatible dimmers. ^ For minimum compartment size of enclosed fixture visit www.satco.com

Product sheet SA2794

HIGH LUMEN LED PROFESSIONAL SERIES



Features:

- Silver reflector
- Wet location - indoor/outdoor
- 120V Dimmable version
- 120V -277V Range voltage / Non-dimmable version
- Multiple CCT options

Applications:

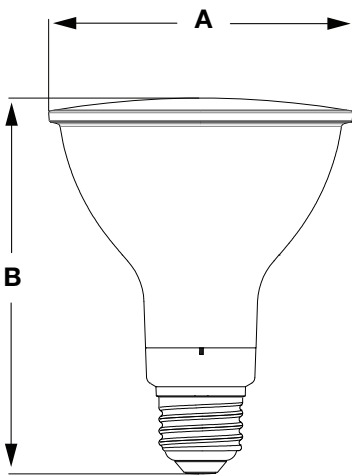
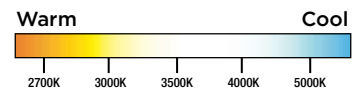
- Indoor residential and commercial lighting
- Down lighting
- Accent lighting
- Pendant lighting



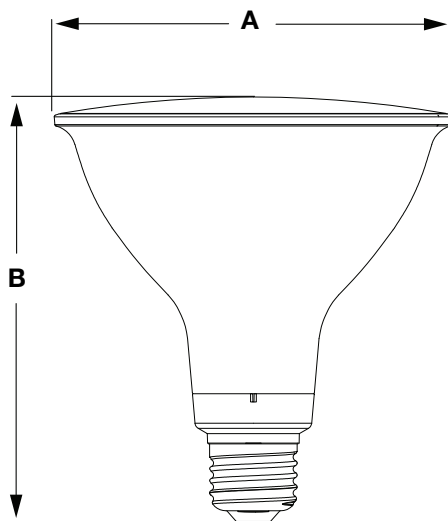
HIGH LUMEN LED PAR 30LN & PAR 38 LAMPS



ColorQuick[®]
Selectable Color Technology



PAR30LN



PAR38

DIMENSIONS

Item	MOD A	MOL B	Weight
PAR30LN	3.74"	4.65"	0.27 Lbs.
PAR38	4.76"	5.12"	0.40 Lbs.



Item	Shape	Lumens	Wattage	Incandescent Replacement Wattage	Input Voltage	Input Current	Dimmable	CBCP (cd)	THD
S32240	PAR30LN	1,800	15W	100W	120V	0.20A	Yes	2103	9.62%
S32250	PAR38	3,000	21W	250W	120V	0.28A	Yes	3272	8.53%
S39764	PAR30LN	1,800	15W	100W	120-277V	0.20A	No	2103	11.40%@120V, 36.50%@277V
S39760	PAR38	2,400	19W	250W	120-277V	0.25A	No	3272	11.40%@120V, 36.50%@277V

Consult the Satco website for a complete, up to date list on compatible dimmers. To prevent early lamp failure, lamp should only be installed in operating environments ranging from a minimum of -4°F (-20°C) to a maximum of 113°F (+45°C)
*For minimum compartment size of enclosed fixture visit www.satco.com

Product sheet SN1457

PAR 20, PAR 30 AMBER LAMPS "Turtle Friendly"



Features:

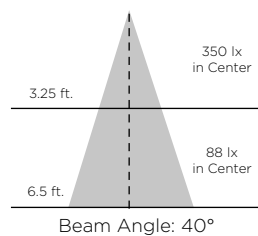
- Amber color -
Sea turtle friendly
- Operating temperature - 13°F
to 113°F (-25°C to 45°C)
- Halogen PAR LED
Replacement
- Long Life - 25,000 hours



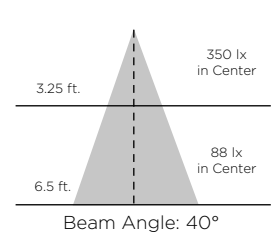
PAR 20, PAR 30 AMBER LAMPS "Turtle Friendly"



ILLUMINATION (PAR 20)



ILLUMINATION (PAR 30)



Item	Description	W	V	Bulb Shape	Base	Housing Finish	CCT	Lm	NM	Beam	MOL (in.)	MOD (in.)	Life (hrs.)	UPC	Pack
S29188	6.5PAR20/LED/40'/AMBER	6.5	120	PAR20	E26	WH	AMB	150	590	40°	3.23	2.48	25K	045923391880	24/6
S29189	8PAR30/LN/LED/40'/AMBER	8	120	PAR30	E26	WH	AMB	280	590	40°	4.57	3.74	25K	045923291890	24/6

Product sheet SA1641

LED PAR 120-277V CONTRACTOR SERIES



Features:

Range Voltage 120-277V for residential and commercial use

90 CRI for exceptional color rendering

Wet location rated for use outdoors

40° beam angle for focused floodlight illumination

LED PAR 120-277V CONTRACTOR SERIES



PAR20

PAR30

PAR38



Item	Description	W	V	Bulb Shape	Base	CCT	Lm	CRI	Beam	MOL (in.)	MOD (in.)	Life (hrs.)	UPC	Pack	
PAR20 50W Replacement															
S11494	7PAR20/930/120-277V	7	120-277V	PAR20	E26	3000K	450	90	35°	3.27	2.52	15K	045923114946	24/12	
S11495	7PAR20/940/120-277V	7	120-277V	PAR20	E26	4000K	450	90	35°	3.27	2.52	15K	045923114953	24/12	
S11496	7PAR20/950/120-277V	7	120-277V	PAR20	E26	5000K	450	90	35°	3.27	2.52	15K	045923114960	24/12	
PAR30 (Long) 75W Replacement															
S11497	12PAR30L/930/120-277V	12	120-277V	PAR30	E26	3000K	900	90	35°	4.65	3.74	15K	045923114977	12/6	
S11498	12PAR30L/940/120-277V	12	120-277V	PAR30	E26	4000K	900	90	35°	4.65	3.74	15K	045923114984	12/6	
S11499	12PAR30L/950/120-277V	12	120-277V	PAR30	E26	5000K	900	90	35°	4.65	3.74	15K	045923114991	12/6	
PAR38 90W 90W Replacement															
S11486	15PAR38/LED/40'/930/120V-277V	15	120-277V	PAR38	E26	3000K	1200	90	40°	5.04	4.8	15K	045923114861	12/6	
S11487	15PAR38/LED/40'/940/120V-277V	15	120-277V	PAR38	E26	4000K	1200	90	40°	5.04	4.8	15K	045923114878	12/6	
S11488	15PAR38/LED/40'/950/120V-277V	15	120-277V	PAR38	E26	5000K	1200	90	40°	5.04	4.8	15K	045923114885	12/6	

Product sheet SA2986

LED AR111 LAMPS

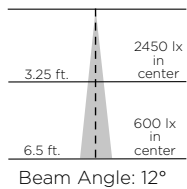


Features:

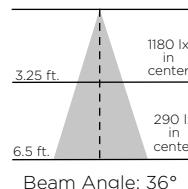
- Direct replacement for halogen lamps
- High efficiency—less heat
- 7W and 12W options
- Damp location
- Long life—30,000 hours
- PAR 36 Replacement



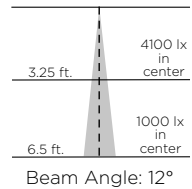
ILLUMINATION 7W



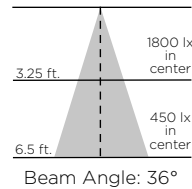
ILLUMINATION 7W



ILLUMINATION 12W



ILLUMINATION 12W



Item	Description	W	V	Bulb Shape	Base	Housing Finish	CCT	Lm	CRI	Beam	MOL (in.)	MOD (in.)	Life (hrs.)	UPC	Pack
S12244	7AR111/LED/830/SP12/12V	7	12	AR111	G53	WH	3000K	520	80	12°	2.60	4.37	30K	045923122446	24/6
S12245	7AR111/LED/830/FL36/12V	7	12	AR111	G53	WH	3000K	600	80	36°	2.60	4.37	30K	045923122453	24/6
S12246	12AR111/LED/830/SP12/12V	12	12	AR111	G53	WH	3000K	850	80	12°	2.60	4.37	30K	045923122460	24/6
S12247	12AR111/LED/830/FL36/12V	12	12	AR111	G53	WH	3000K	900	80	36°	2.60	4.37	30K	045923122477	24/6

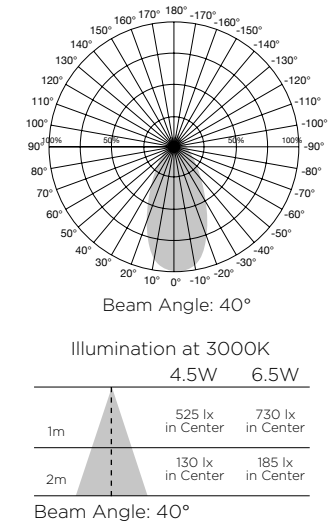
Non-dimmable

Product sheet SA2610

LED PAR16 LAMPS

Features:

- 45 Watt & 60Watt Halogen PAR16 lamp replacement uses only 4-6.5 Watts
- Dimmable
- Damp location
- Approved for totally enclosed fixtures ^
- Long life—25,000 hours
- 5 Year warranty



Item	Description	W	V	Bulb Shape	Base	Housing Finish	CCT	Lm	CRI	Beam	MOL (in.)	MOD (in.)	Life (hrs.)	UPC	Pack
S9386	4.5PAR16/LED/40°/3000K/120V	4.5	120	PAR16	E26	WH	3000K	360	80	40°	2.88	2.00	25K	045923093869	48/12
S9387	4.5PAR16/LED/40°/5000K/120V	4.5	120	PAR16	E26	WH	5000K	360	80	40°	2.88	2.00	25K	045923093876	48/12
S9388*	6.5PAR16/LED/40°/3000K/120V	6.5	120	PAR16	E26	WH	3000K	500	80	40°	2.88	2.00	25K	045923093883	48/12
S9389	6.5PAR16/LED/40°/5000K/120V	6.5	120	PAR16	E26	WH	5000K	500	80	40°	2.88	2.00	25K	045923093890	48/12
90 CRI—CEC/T20															
S8585*	4PAR16/LED/40°/3K/120V/90CRI	4	120	PAR16	E26	WH	3000K	360	90+	40°	2.88	2.00	25K	045923085857	48/12

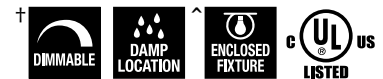
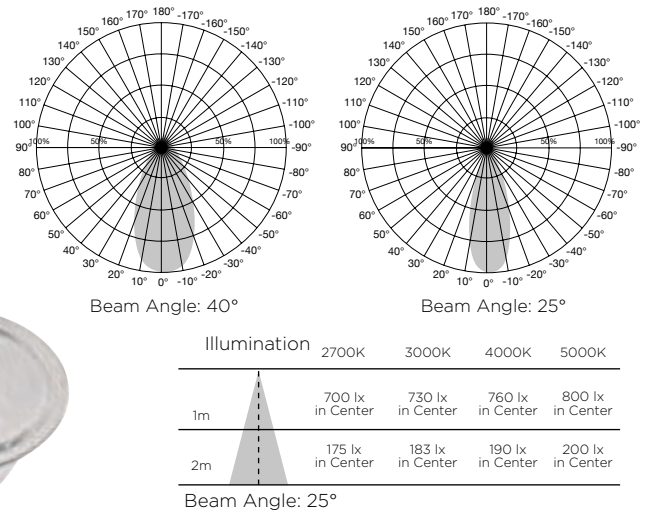
*For minimum compartment size of enclosed fixture visit www.satco.com

Product sheet SA1744

12V LED MR11 LAMPS

Features:

- 20 Watt MR11 replacement, uses up to 3 Watts
- Damp location
- Approved for totally enclosed fixtures ^
- Long life—25,000 hours
- 3 Year warranty



Item	Description	W	V	Bulb Shape	Base	Housing Finish	CCT	Lm	CRI	Beam	MOL (in.)	MOD (in.)	Life (hrs.)	UPC	Pack
S9550†	1.6MR11/LED/40°/3000K/12V	1.6	12	MR11	G4	CL	3000K	200	80	40°	1.56	1.31	25K	045923095504	200/20
S9551†	1.6MR11/LED/40°/5000K/12V	1.6	12	MR11	G4	CL	5000K	200	80	40°	1.56	1.31	25K	045923095511	200/20
S9280	3MR11/LED/25°/2700K/12V	3	12	MR11	GU4	WH	2700K	210	80	25°	1.50	1.38	25K	045923092800	48/12
S9281	3MR11/LED/25°/3000K/12V	3	12	MR11	GU4	WH	3000K	210	80	25°	1.50	1.38	25K	045923092817	48/12
S9282	3MR11/LED/25°/4000K/12V	3	12	MR11	GU4	WH	4000K	210	80	25°	1.50	1.38	25K	045923092824	48/12
S9283	3MR11/LED/25°/5000K/12V	3	12	MR11	GU4	WH	5000K	210	80	25°	1.50	1.38	25K	045923092831	48/12

†For minimum compartment size of enclosed fixture visit www.satco.com

Product sheet SA1679

LED MR16 LAMPS



Features:

- Dimmable
- Approved for totally enclosed fixtures ^
- 12V and 24V
- Long life—25,000 hours
- ENERGY STAR certified*
- 5 Year warranty

Applications:

- Indoor residential and commercial lighting
- Down lighting
- Accent lighting
- Pendant lighting





3MR16
Clear



6.5W MR16
Gray



8W MR16
Gray



8W MR16
Back

LED MR16 LAMPS



Item	Description	W	V	Bulb Shape	Base	Housing Finish	CCT	Lm	CRI	Beam	MOL (in.)	MOD (in.)	Life (hrs.)	UPC	Pack
S9552	3MR16/LED/40°/3000K/12V	3	12	MR16	GU5.3	CL	3000K	330	80	40°	2.00	2.00	25K	045923095528	200/20
S9553	3MR16/LED/40°/5000K/12V	3	12	MR16	GU5.3	CL	5000K	330	80	40°	2.00	2.00	25K	045923095535	200/20
S11389	4.5MR16/LED/15°/830/12V	4.5	12	MR16	GU5.3	GR	3000K	360	80	15°	1.78	2.00	25K	045923113895	48/12
S11390	4.5MR16/LED/15°/850/12V	4.5	12	MR16	GU5.3	GR	5000K	360	80	15°	1.78	2.00	25K	045923113901	48/12
S11391	4.5MR16/LED/40°/827/12V	4.5	12	MR16	GU5.3	GR	2700K	360	80	40°	1.78	2.00	25K	045923113918	48/12
S11392	4.5MR16/LED/40°/830/12V	4.5	12	MR16	GU5.3	GR	3000K	360	80	40°	1.78	2.00	25K	045923113925	48/12
S11393	4.5MR16/LED/40°/835/12V	4.5	12	MR16	GU5.3	GR	3500K	360	80	40°	1.78	2.00	25K	045923113932	48/12
S11394	4.5MR16/LED/40°/840/12V	4.5	12	MR16	GU5.3	GR	4000K	360	80	40°	1.78	2.00	25K	045923113949	48/12
S11395	4.5MR16/LED/40°/850/12V	4.5	12	MR16	GU5.3	GR	5000K	360	80	40°	1.78	2.00	25K	045923113956	48/12
S11396	4.5MR16/LED/40°/830/12V	4.5	12	MR16	GU5.3	BK	3000K	360	80	40°	1.78	2.00	25K	045923113963	48/12
S11397	4.5MR16/LED/40°/850/12V	4.5	12	MR16	GU5.3	BK	5000K	360	80	40°	1.78	2.00	25K	045923113970	48/12
50W Replacement															
S11398	6.5MR16/LED/40°/830/12V	6.5	12	MR16	GU5.3	BK	3000K	500	80	40°	1.78	2.00	25K	045923113987	48
S11399	6.5MR16/LED/40°/850/12V	6.5	12	MR16	GU5.3	BK	5000K	500	80	40°	1.78	2.00	25K	045923113994	48
80 CRI - 50W Replacement - CEC/T20▲															
S9490*	6.5MR16/LED/25°/27K/12V	6.5	12	MR16	GU5.3	GR	2700K	500	80	25°	1.78	2.00	25K	045923094903	48/12
S9491*	6.5MR16/LED/25°/30K/12V	6.5	12	MR16	GU5.3	GR	3000K	500	80	25°	1.78	2.00	25K	045923094910	48/12
S9492	6.5MR16/LED/25°/35K/12V	6.5	12	MR16	GU5.3	GR	3500K	500	80	25°	1.78	2.00	25K	045923094927	48/12
S9493	6.5MR16/LED/25°/40K/12V	6.5	12	MR16	GU5.3	GR	4000K	500	80	25°	1.78	2.00	25K	045923094934	48/12
S9494	6.5MR16/LED/25°/50K/12V	6.5	12	MR16	GU5.3	GR	5000K	500	80	25°	1.78	2.00	25K	045923094941	48/12
S9495*	6.5MR16/LED/40°/27K/12V	6.5	12	MR16	GU5.3	GR	2700K	500	80	40°	1.78	2.00	25K	045923094958	48/12
S9496*	6.5MR16/LED/40°/30K/12V	6.5	12	MR16	GU5.3	GR	3000K	500	80	40°	1.78	2.00	25K	045923094965	48/12
S9497*	6.5MR16/LED/40°/35K/12V	6.5	12	MR16	GU5.3	GR	3500K	500	80	40°	1.78	2.00	25K	045923094972	48/12
S9498*	6.5MR16/LED/40°/40K/12V	6.5	12	MR16	GU5.3	GR	4000K	500	80	40°	1.78	2.00	25K	045923094989	48/12
S9499*	6.5MR16/LED/40°/50K/12V	6.5	12	MR16	GU5.3	GR	5000K	500	80	40°	1.78	2.00	25K	045923094996	48/12
24V - 50W Replacement															
S11340	6MR16/LED/40°/827/24V AC/DC	6	24	MR16	GU5.3	GR	2700K	550	80	40°	1.78	2.00	25K	045923113406	48/12
S11341	6MR16/LED/40°/830/24V AC/DC	6	24	MR16	GU5.3	GR	3000K	550	80	40°	1.78	2.00	25K	045923113413	48/12
S11342	6MR16/LED/40°/840/24V AC/DC	6	24	MR16	GU5.3	GR	4000K	550	80	40°	1.78	2.00	25K	045923113420	48/12
S11343	6MR16/LED/40°/850/24V AC/DC	6	24	MR16	GU5.3	GR	5000K	550	80	40°	1.78	2.00	25K	045923113437	48/12
90 CRI															
S11334■	6.5MR16/LED/25°/927/12V	6.5	12	MR16	GU5.3	GR	2700K	450	90	25°	1.78	2.00	25K	045923113345	48/12
S11335■	6.5MR16/LED/25°/930/12V	6.5	12	MR16	GU5.3	GR	3000K	450	90	25°	1.78	2.00	25K	045923113352	48/12
S11336■	6.5MR16/LED/40°/927/12V	6.5	12	MR16	GU5.3	GR	2700K	450	90	40°	1.78	2.00	25K	045923113369	48/12
S9616■	6.5MR16/LED/40°/930/12V	6.5	12	MR16	GU5.3	GR	3000K	450	90	40°	1.78	2.00	25K	045923096167	48/12
Single Optic - 75W Replacement - CEC/T20▲															
S8635■	8MR16/LED/15°/27K/90CRI/12V	8	12	MR16	GU5.3	GR	2700K	490	90	15°	1.88	2.00	25K	045923086359	48/12
S8636■	8MR16/LED/15°/30K/90CRI/12V	8	12	MR16	GU5.3	GR	3000K	490	90	15°	1.88	2.00	25K	045923086366	48/12
S8637■	8MR16/LED/15°/35K/90CRI/12V	8	12	MR16	GU5.3	GR	3500K	490	90	15°	1.88	2.00	25K	045923086373	48/12
S8638■	8MR16/LED/15°/40K/90CRI/12V	8	12	MR16	GU5.3	GR	4000K	490	90	15°	1.88	2.00	25K	045923086380	48/12
S8639	8MR16/LED/15°/50K/90CRI/12V	8	12	MR16	GU5.3	GR	5000K	490	90	15°	1.88	2.00	25K	045923086397	48/12
S8640■	8MR16/LED/40°/27K/90CRI/12V	8	12	MR16	GU5.3	GR	2700K	490	90	40°	1.88	2.00	25K	045923086403	48/12
S8641■	8MR16/LED/40°/30K/90CRI/12V	8	12	MR16	GU5.3	GR	3000K	490	90	40°	1.88	2.00	25K	045923086410	48/12
S8642■	8MR16/LED/40°/35K/90CRI/12V	8	12	MR16	GU5.3	GR	3500K	490	90	40°	1.88	2.00	25K	045923086427	48/12
S8643■	8MR16/LED/40°/40K/90CRI/12V	8	12	MR16	GU5.3	GR	4000K	490	90	40°	1.88	2.00	25K	045923086434	48/12
S8644	8MR16/LED/40°/50K/90CRI/12V	8	12	MR16	GU5.3	GR	5000K	490	90	40°	1.88	2.00	25K	045923086441	48/12

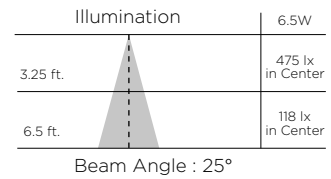
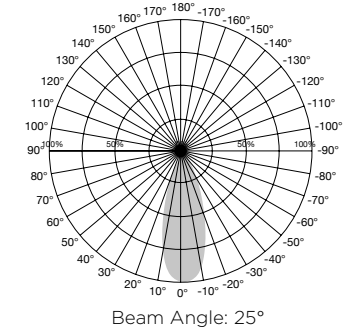
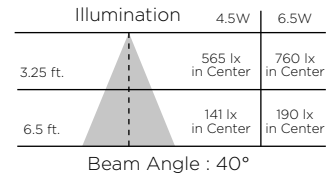
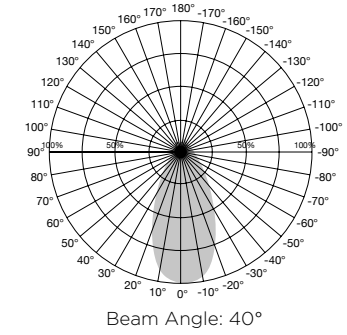
All 12V MR16 lamps are compatible with electronic and magnetic transformers. Visit www.satco.com for compatibility information and warranty details. *For minimum compartment size of enclosed fixture visit www.satco.com. ■ Also T24 compliant.

Product sheet SA1902

MR16 GU10 BASE LED LAMPS

Features:

- Direct replacement for Halogen lamps
- 4.5W = 35 Watts
- 6.5W = 50 Watts – 25° (new) and 40°
- Dimmable
- Damp location
- Approved for enclosed fixtures ^
- Long life - 25,000 hours
- High efficiency / environmentally friendly
- Innovative design
- No UV or IR radiation
- 5 year warranty / 10 hrs. per day



Item	Description	W	V	Bulb Shape	Base	Housing Finish	CCT	Lm	CRI	Beam	MOL (in.)	MOD (in.)	Life (hrs.)	UPC	Pack
S9380*	4.5MR16/LED/40°/30K/120V/GU10	4.5	120	MR16	GU10	WH	3000K	360	80	40°	2.19	2.00	25K	045923093807	48/12
S9381	4.5MR16/LED/40°/50K/120V/GU10	4.5	120	MR16	GU10	WH	5000K	360	80	40°	2.19	2.00	25K	045923093814	48/12
S8676	6.5MR16/LED/25°/27K/120V/GU10	6.5	120	MR16	GU10	WH	2700K	500	80	25°	2.28	1.97	25K	045923086762	48/12
S8677	6.5MR16/LED/25°/30K/120V/GU10	6.5	120	MR16	GU10	WH	3000K	500	80	25°	2.28	1.97	25K	045923086779	48/12
S8678	6.5MR16/LED/25°/40K/120V/GU10	6.5	120	MR16	GU10	WH	4000K	500	80	25°	2.28	1.97	25K	045923086786	48/12
S8679	6.5MR16/LED/25°/50K/120V/GU10	6.5	120	MR16	GU10	WH	5000K	500	80	25°	2.28	1.97	25K	045923086793	48/12
S9382	6.5MR16/LED/40°/27K/120V/GU10	6.5	120	MR16	GU10	WH	2700K	500	80	40°	2.19	2.00	25K	045923093821	48/12
S9383*	6.5MR16/LED/40°/30K/120V/GU10	6.5	120	MR16	GU10	WH	3000K	500	80	40°	2.19	2.00	25K	045923093838	48/12
S9384	6.5MR16/LED/40°/40K/120V/GU10	6.5	120	MR16	GU10	WH	4000K	500	80	40°	2.19	2.00	25K	045923093845	48/12
S9385*	6.5MR16/LED/40°/50K/120V/GU10	6.5	120	MR16	GU10	WH	5000K	500	80	40°	2.19	2.00	25K	045923093852	48/12
90 CRI-CEC/T20▲															
S8588*	6.5MR16/LED/40°/27K/90CRI/GU10	6.5	120	MR16	GU10	WH	2700K	450	90	40°	2.19	2.00	25K	045923085888	48/12
S8589*	6.5MR16/LED/40°/30K/90CRI/GU10	6.5	120	MR16	GU10	WH	3000K	450	90+	40°	2.19	2.00	25K	045923085895	48/12

*For minimum compartment size of enclosed fixture visit www.satco.com

CARDED LED MR LAMPS

Features:

- Direct replacement for Halogen lamps
- 50W MR16
- 20W MR11
- Dimmable
- Damp location
- Approved for totally enclosed fixtures ^
- Up to 25,000 hours
- 3 Year warranty



2MR11



3MR11



6.5MR16



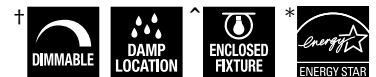
6.5MR16



7MR16



6.5MR16



Item	Description	W	V	Bulb Shape	Base	Housing Finish	CCT	Lm	CRI	Beam	MOL (in.)	MOD (in.)	Life (hrs.)	UPC	Pack
S8603	3MR11/LED/25'/3000K/12V	3	12	MR11	GU4	WH	3000K	210	80	25°	1.47	1.38	25K	045923086038	12/1 cd
S8604**	6.5MR16/LED/40'/30K/120V/GU10	6.5	120	MR16	GU10	WH	3000K	500	80	40°	2.16	2.00	25K	045923086045	12/1 cd
S8605**	6.5MR16/LED/40'/30K/12V	6.5	12	MR16	GU5.3	GRAY	3000K	500	80	40°	1.78	2.00	25K	045923086052	12/1 cd
S21741	2MR11/LED/3K/36D/12V/2PK/ND	2	12	MR11	GU4	WH	3000K	100	80	36°	1.69	1.37	15K	045923217418	24/2 cd
S21742	7MR16/LED/3K/40D/12V/2PK/ND	7	12	MR16	GU5.3	WH	3000K	500	80	40°	2.07	1.97	25K	045923217425	24/2 cd
S21743**	6.5MR16/LED/3K/40D/GU10/2PK	6.5	120	MR16	GU10	WH	3000K	500	80	40°	2.20	1.97	25K	045923217432	24/2 cd

*For minimum compartment size of enclosed fixture visit www.satco.com

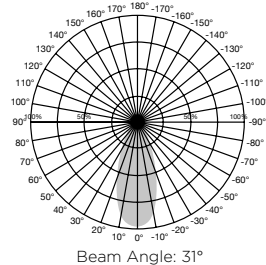
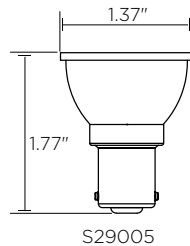
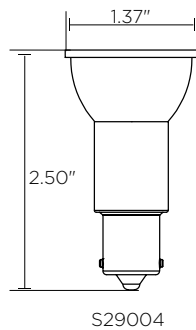
Product sheet SA2674

LED ELEVATOR LAMPS



Features:

- Direct replacement for 20W Halogen lamps
- Elevators, lobbies
- Familiar look & performance
- Improved thermal management
- GBF/1383 LED Direct replacement
- Long life—15,000 hours



Item	Description	W	V	Bulb Shape	Base	Housing Finish	CCT	Lm	CRI	Beam	MOL (in.)	MOD (in.)	Life (hrs.)	UPC	Pack
S29004	3WLED/1383/ELEVATOR/12V AC/DC	3	12	R12	BA15A	GRAY	3000K	220	80	31°	2.50	1.38	15K	045923290046	48/12
S29005	3WLED/GBF/ELEVATOR/12V AC/DC	3	12	ALR12	BA15D	GRAY	3000K	220	80	31°	1.77	1.38	15K	045923290053	48/12

Indoor use only. Not for use in totally enclosed fixtures.

Product sheet SA2370

LED MR16 E26 BASE LAMPS

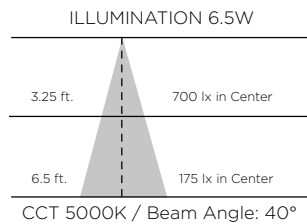
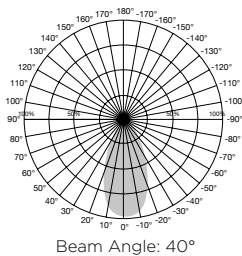


Features:

- Direct replacement for 50 Watt Halogen lamps — uses only 6.5 Watts
- Innovative design
- Dimmable
- Damp location
- Approved for enclosed fixtures[^]
- Long life - 25,000 hours
- No UV or IR radiation
- 5 year warranty

Applications:

- Indoor residential and commercial lighting
- Downlighting
- Accent lighting
- Pendant lighting



Item	Description	W	V	Bulb Shape	Base	Housing Finish	CCT	Lm	CRI	Beam	MOL (in.)	MOD (in.)	Life (hrs.)	UPC	Pack
S9980	6.5MR16/E26/LED/40°/27K/120V	6.5	120	MR16	E26	WH	2700K	500	80	40°	2.19	2.00	25K	045923099809	48/12
S9981	6.5MR16/E26/LED/40°/30K/120V	6.5	120	MR16	E26	WH	3000K	500	80	40°	2.19	2.00	25K	045923099816	48/12
S9982	6.5MR16/E26/LED/40°/40K/120V	6.5	120	MR16	E26	WH	4000K	500	80	40°	2.19	2.00	25K	045923099823	48/12
S9983	6.5MR16/E26/LED/40°/50K/120V	6.5	120	MR16	E26	WH	5000K	500	80	40°	2.19	2.00	25K	045923099830	48/12

[^]For minimum compartment size of enclosed fixture visit www.satco.com

Product sheet SA2556

SILICON LED REPLACEMENTS FOR HALOGEN G4, G6.35, G8 & G9 LAMPS

Features:

- Solid state LED lighting
- High efficacy
- Omni-directional light
- Dimmable
- Long life—25,000 hours
- Approved for enclosed fixtures ^



G4



G6.35



G8



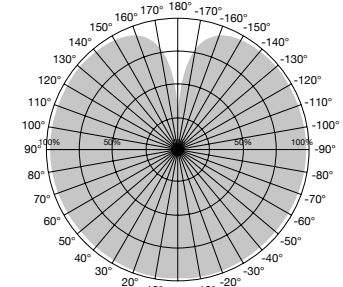
G9



G9



G9



Item	Description	W	V	Bulb Shape	Base	Finish	CCT	Lm	CRI	MOL (in.)	MOD (in.)	Life (hrs.)	UPC	Pack
G4 Bi-Pin														
S9542	LED 1.6W JC/G4 12V 3000K 200L	1.6	12	T3	G4	CL	3000K	200	80	1.44	0.38	25K	045923095429	200/20
S8600	LED 1.6W JC/G4 12V 3000K/CD	1.6	12	T3	G4	CL	3000K	200	80	1.44	0.38	25K	045923086007	48/12
S9543	LED 1.6W JC/G4 12V 5000K 200L	1.6	12	T3	G4	CL	5000K	200	80	1.44	0.38	25K	045923095436	200/20
G6.35														
S9544	LED 3W JC/G6.35 12V 3000K 300L	3	12	T4	G6.35	CL	3000K	300	80	1.63	0.50	25K	045923095443	200/20
S8601	LED 3W JC/G6.35 12V 3K 300L/CD	3	12	T4	G6.35	CL	3000K	300	80	1.63	0.50	25K	045923086014	48/12
S9545	LED 3W JC/G6.35 12V 5000K 300L	3	12	T4	G6.35	CL	5000K	300	80	1.63	0.50	25K	045923095450	200/20
G8														
S28680	LED/4W/JC/G8/CL/3K/120-130V	4	120-130	T4	G8	CL	3000K	480	80	2.00	0.50	25K	045923286803	200/20
S28681	LED/4W/JC/G8/CL/5K/120-130V	4	120-130	T4	G8	CL	5000K	480	80	2.00	0.50	25K	045923286810	200/20
G9														
S9546	LED 1.6W JCD/G9 120V 3000K	1.6	120	T4	G9	CL	3000K	200	80	1.88	0.50	25K	045923095467	200/20
S9547	LED 1.6W JCD/G9 120V 5000K	1.6	120	T4	G9	CL	5000K	200	80	1.88	0.50	25K	045923095474	200/20
S28602	LED JCD 4W G9 120-130V 3K DIM/CD	4	120-130	T4	G9	CL	3000K	480	80	2.38	0.50	25K	045923286025	48/12
S28682	LED/4W/JCD/G9/FR/3K/120-130V	4	120-130	T4	G9	FR	3000K	460	80	2.38	0.00	25K	045923286827	200/20
S28683	LED/4W/JCD/G9/FR/5K/120-130V	4	120-130	T4	G9	FR	5000K	460	80	2.38	0.00	25K	045923286834	200/20
S29697	LED4W/JCD/G9/120-130V/3K/90CRI	4	120-130	T4	G9	CL	3000K	360	90	2.38	0.50	25K	045923296970	200/20

^For minimum compartment size of enclosed fixture visit www.satco.com

Product sheet SA2229

SILICON LED REPLACEMENTS FOR HALOGEN E11, E12, BA15D & BA15S LAMPS

Features:

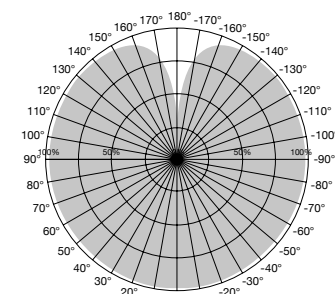
- Solid state LED lighting
- High efficacy
- Omni-directional light
- Dimmable
- Long life—25,000 hours



E11 Mini Can E11 Mini Can E12 E12



BA15D BA15D BA15S



Beam Angle: 360°



Item	Description	W	V	Bulb Shape	Base	Finish	CCT	Lm	CRI	MOL (in.)	MOD (in.)	Life (hrs.)	UPC	Pack
E11 Mini Can														
S28684	LED/4W/E11/MC/CL/3K/120-130V	4	120-130	T4	E11	CL	3000K	480	80	2.38	0.75	25K	045923286841	200/20
S28685	LED/4W/E11/MC/CL/5K/120-130V	4	120-130	T4	E11	CL	5000K	480	80	2.38	0.75	25K	045923286858	200/20
S28686	LED/4W/E11/MC/FR/3K/120-130V	4	120-130	T4	E11	FR	3000K	460	80	2.38	0.75	25K	045923286865	200/20
S28687	LED/4W/E11/MC/CL/5K/120-130V	4	120-130	T4	E11	FR	5000K	460	80	2.38	0.75	25K	045923286872	200/20
E12														
S11210	LED/4W/E12/CL/3K/120-130V	4	120-130	T4	E12	CL	3000K	480	80	2.31	0.75	25K	045923112102	200/20
S11211	LED/4W/E12/CL/5K/120-130V	4	120-130	T4	E12	CL	5000K	480	80	2.31	0.75	25K	045923112119	200/20
S11212	LED/4W/E12/FR/3K/120-130V	4	120-130	T4	E12	FR	3000K	460	80	2.31	0.75	25K	045923112126	200/20
S11213	LED/4W/E12/FR/5K/120-130V	4	120-130	T4	E12	FR	5000K	460	80	2.31	0.75	25K	045923112133	200/20
BA15D														
S11214	LED/4W/BA15D/CL/3K/120-130V	4	120-130	T4	BA15D	CL	3000K	480	80	2.50	0.75	25K	045923112140	200/20
S11215	LED/4W/BA15D/CL/5K/120-130V	4	120-130	T4	BA15D	CL	5000K	480	80	2.50	0.75	25K	045923112157	200/20
S11216	LED/4W/BA15D/FR/3K/120-130V	4	120-130	T4	BA15D	FR	3000K	460	80	2.50	0.75	25K	045923112164	200/20
S11217	LED/4W/BA15D/FR/5K/120-130V	4	120-130	T4	BA15D	FR	5000K	460	80	2.50	0.75	25K	045923112171	200/20
BA15S														
S8688	LED/3W/BA15S/CL/3K/12V	3	12	T4	BA15S	FR	3000K	330	80	1.63	0.75	25K	045923086885	200/20
S8689	LED/3W/BA15S/CL/5K/12V	3	12	T4	BA15S	FR	5000K	330	80	1.63	0.75	25K	045923086892	200/20

*For minimum compartment size of enclosed fixture visit www.satco.com

Product sheet SA2562

COMMERCIAL GRADE LED T4 LAMPS



Features:

- Suitable for commercial applications,
- Frosted or clear options
- 300° Omni-directional light
- G9 Base
- T4 Bulb
- 25,000 Hours
- 3 Year warranty

Applications:

- Indoor residential and commercial lighting
- Down lighting
- Accent lighting
- Pendant lighting



Item	Description	W	V	Bulb Shape	Base	CCT	Lm	MOL (in.)	MOD (in.)	Life/ Hrs.	UPC	Pack
S11230	3.5W/LED/G9/830/CL/ND	3.5	120	T4	G9	3000K	330	1.97	0.63	25000	045923112300	200/20
S11231	3.5W/LED/G9/840/CL/ND	3.5	120	T4	G9	4000K	330	1.97	0.63	25000	045923112317	200/20
S11232	3.5W/LED/G9/830/FR/ND	3.5	120	T4	G9	3000K	300	1.97	0.63	25000	045923112324	200/20
S11233	3.5W/LED/G9/840/FR/ND	3.5	120	T4	G9	4000K	300	1.97	0.63	25000	045923112331	200/20
S11238	5W/LED/G9/827/CL/DIM	5	120	T4	G9	2700K	500	2.13	0.75	27000	045923112386	200/20
S11234	5W/LED/G9/830/CL/DIM	5	120	T4	G9	3000K	550	2.13	0.75	25000	045923112348	200/20
S11235	5W/LED/G9/840/CL/DIM	5	120	T4	G9	4000K	550	2.13	0.75	25000	045923112355	200/20
S11239	5W/LED/G9/850/CL/DIM	5	120	T4	G9	5000K	550	2.13	0.75	25000	045923112393	200/20
S11236	5W/LED/G9/830/FR/DIM	5	120	T4	G9	3000K	500	2.13	0.75	25000	045923112362	200/20
S11237	5W/LED/G9/840/FR/DIM	5	120	T4	G9	4000K	550	2.13	0.75	25000	045923112379	200/20

Product sheet SA2562

LED J-TYPE T3 LAMPS



Features:

- Outperforms 50W and 100W Halogen equivalents
- Direct replacement/energy saving
- Dimmable
- Long life
- 3 Year warranty

78mm

118mm



Item	Description	W	V	Bulb Shape	Base	CCT	Lm	CRI	MOL (in.)	MOD (in.)	Life (hrs.)	UPC	Pack
S11220	6W/LED/T3/78MM/830/120V/D/CD	6	120	T3	R7S	3000K	600	80	3.07	0.98	15K	045923112201	48/12
S11221	6W/LED/T3/78MM/840/120V/D/CD	6	120	T3	R7S	4000K	600	80	3.07	0.98	15K	045923112218	48/12
S11222	10W/LED/T3/118MM/830/120V/D/CD	10	120	T3	R7S	3000K	1200	80	4.65	0.98	15K	045923112225	48/12
S11223	10W/LED/T3/118MM/840/120V/D/CD	10	120	T3	R7S	4000K	1200	80	4.65	0.98	15K	045923112232	48/12

*For minimum compartment size of enclosed fixture visit www.satco.com

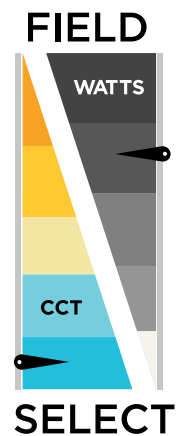
Product sheet SA2520

LED DOWNLIGHT RETROFITS - FIELD SELECTABLE



Features:

- High efficiency/environmentally friendly
- 3 Wattage Selectable
- 5 CCT Selectable
- 2 Styles: Round & Square
- 2 Styles: For 4" and 5/6"
- Standard Recessed Housing
- Dimmable*
- Wet location
- ENERGY STAR® certified
- T20/T24 Compliant
- Long life—50,000 hours
- 5 Year warranty



LED DOWNLIGHT RETROFITS - FIELD SELECTABLE

4" Round



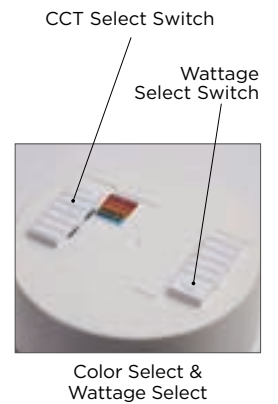
5/6" Round



4" Square



5/6" Square



E26 Adapter included (S9001)



GU10 Adapter sold separately (S9000)



GU24 Adapter sold separately (S8999)



Pressure Bracket for RT5 RT6 sold separately. (80-2676)



Item	Description	Size	W	Lm	CCT	UPC	Pack
Round							
S18800	7.5W/5LED/RDL/4/WS/5CCT/RD	4"	5W/6W/7.5W	500L/600L/700L	2700K/3000K/3500K/4000K/5000K	045923188008	16
S18801	13W/7LED/RDL/5-6/WS/5CCT/RD	5/6"	7W/10W/13W	750L/1050L/1300L	2700K/3000K/3500K/4000K/5000K	045923188015	8
Square							
S18802	8W/5.5LED/RDL/4/WS/5CCT/SQ	4"	5.5W/6.5W/8W	500L/600L/700L	2700K/3000K/3500K/4000K/5000K	045923188022	16
S18803	14.5W/8LED/RDL/5-6/WS/5CCT/SQ	5/6"	7.5W/10.5W/14.5W	750L/1050L/1300L	2700K/3000K/3500K/4000K/5000K	045923188039	8

*Consult Satco or visit www.satco.com for an up-to-date dimmer compatibility list. See warranty for details.

Product sheet SN1272

LED DOWNLIGHT RETROFITS - CCT SELECTABLE

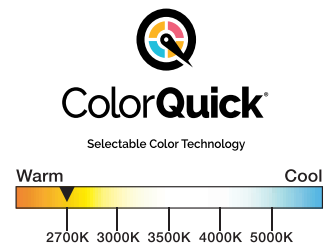


Features:

- 5 Selectable CCT settings
- SKU reducer - 35 products, only 7 SKU's
- 3 Styles: Round, Square & Gimbal
- 2 Sizes: for 4" and 5/6" standard recessed housing
- Wet location (baffles)
- Damp location (gimbals)
- ENERGY STAR® certified
- T20/T24 Compliant
- Long life—50,000 Hours
- 5 Year warranty



Color changeable -
5 color temperature
settings

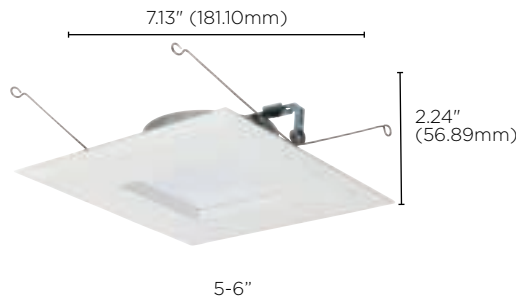
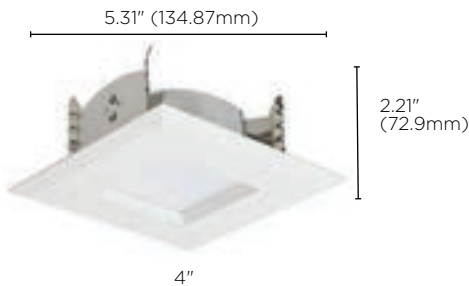


LED DOWNLIGHT RETROFITS - CCT SELECTABLE

ROUND



SQUARE



- SOFT WHITE (2700K)
- WARM WHITE (3000K)
- NEUTRAL WHITE (3500K)
- BRIGHT WHITE (4000K)
- DAYLIGHT (5000K)

GIMBAL



- E26 Adapter included (S9001)
- GU10 Adapter sold separately (S9000)
- GU24 Adapter sold separately (S8999)
- Pressure Bracket sold separately (80-2676)



Item	Description	Size	W	CCT Selectable	Lm	UPC	Pack
Round							
S11800R1	6.7WLED/RDL/4/CCT-SEL/120V	4"	6.7	2700K/3000K/3500K/4000K/5000K	600	045923947759	16
S11801R1	9WLED/RDL/5-6/CCT-SEL/120V	5/6"	9	2700K/3000K/3500K/4000K/5000K	800	045923947766	8
S11825R1	13.7WLED/RDL/5-6/CCT-SEL/120V	5/6"	13.7	2700K/3000K/3500K/4000K/5000K	1200	045923947773	8
Square							
S11820R1	6.7WLED/RDL/SQ/4/CCT-SEL/120V	4"	6.7	2700K/3000K/3500K/4000K/5000K	600	045923947780	24
S11821R1	9WLED/RDL/SQ/5-6/CCT-SEL/120V	5/6"	9	2700K/3000K/3500K/4000K/5000K	800	045923947797	8
Gimbal							
S11822	7.5WLED/DIR/4/60'/CCT-SEL/120V	4"	7.5	2700K/3000K/3500K/4000K/5000K	600	045923118227	8
S11824	10.5WLED/DIR/5-6/90'/CCT-SEL/120V	5/6"	10.5	2700K/3000K/3500K/4000K/5000K	800	045923118241	8

*Consult Satco or visit www.satco.com for an up-to-date dimmer compatibility list. See warranty for details.

LED DOWNLIGHT RETROFITS - COLOR TRIMS



Features

- 5 Selectable CCT Settings
- 3 New Trim Finishes—
Black, Bronze And Brushed Nickel
- 2 Sizes - 4" and 5/6"
- Standard Recessed Housings
- Wet Location
- Dimmable
- Energy Star Certified
- 50,000 Hrs

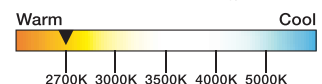


Color changeable - 5 color temperature settings



ColorQuick

Selectable Color Technology



LED DOWNLIGHT RETROFITS - COLOR TRIMS



S11832 / 4" BLACK



S11835 / 5-6" BLACK



S11833 / 4" BRUSHED NICKEL



S11836 / 5-6" BRUSHED NICKEL



E26 Adapter included (S9001)



S11834 / 4" BRONZE



S11837 / 5-6" BRONZE

GU10 Adapter sold separately (S9000)

GU24 Adapter sold separately (S8999)

Pressure Bracket sold separately (80-2676)



Item	Description	W	CCT Selectable	Beam	Lm	UPC	Pack
4"							
S11832	7WLED/RDL/4/CCT-SEL/120V/BL	7	2700K/3000K/3500K/4000K/5000K	90°	600	045923118326	16
S11833	7WLED/RDL/4/CCT-SEL/120V/BN	7	2700K/3000K/3500K/4000K/5000K	90°	600	045923118333	16
S11834	7WLED/RDL/4/CCT-SEL/120V/BZ	7	2700K/3000K/3500K/4000K/5000K	90°	600	045923118340	16
5/6"							
S11835	9WLED/RDL/5-6/CCT-SEL/120V/BL	9	2700K/3000K/3500K/4000K/5000K	90°	800	045923118357	16
S11836	9WLED/RDL/5-6/CCT-SEL/120V/BN	9	2700K/3000K/3500K/4000K/5000K	90°	800	045923118364	16
S11837	9WLED/RDL/5-6/CCT-SEL/120V/BZ	9	2700K/3000K/3500K/4000K/5000K	90°	800	045923118371	16

Product sheet SA2380

DOWNLIGHTS RETROFITS - COLOR TRIM GIMBALS



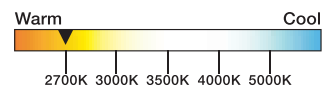
Features

- 5 Selectable CCT settings
- 3 New trim finishes—Black, Bronze and Brushed Nickel
- 2 Sizes—4" and 5/6" Standard Recessed Housing
- IC Rated
- Damp location
- 50,000 Hours
- ENERGY STAR Certified
- 5 Year warranty



ColorQuick

Selectable Color Technology



DOWNLIGHTS RETROFITS - COLOR TRIM GIMBALS

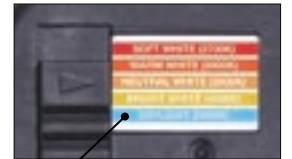


S11854 / 4" BLACK



S11857 / 5-6" BLACK

Color changeable -
5 color temperature settings



S11855 / 4" BRUSHED NICKEL



S11858 / 5-6" BRUSHED NICKEL



S11856 / 4" BRONZE



S11859 / 5-6" BRONZE



E26 Adapter included
(S9001)

GU10 Adapter
sold separately (S9000)

GU24 Adapter
sold separately (S8999)

Torsion Springs
sold separately (80-2709)



Item	Description	W	Finish	CCT	Lm	Beam Angle	UPC	Pack
4"								
S11854	7.5WLED/DIR/4/60'/CCT-SEL/120V/BL	7.5	BLACK	2700K/3000K/3500K/4000K/5000K	600	60°	045923118548	8
S11855	7.5WLED/DIR/4/60'/CCT-SEL/120V/BN	7.5	BRUSHED NICKEL	2700K/3000K/3500K/4000K/5000K	600	60°	045923118555	8
S11856	7.5WLED/DIR/4/60'/CCT-SEL/120V/BZ	7.5	BRONZE	2700K/3000K/3500K/4000K/5000K	600	60°	045923118562	8
5-6"								
S11857	10.5WLED/DIR/5-6/CCT-SEL/120V/BL	10.5	BLACK	2700K/3000K/3500K/4000K/5000K	800	90°	045923118579	8
S11858	10.5WLED/DIR/5-6/CCT-SEL/120V/BN	10.5	BRUSHED NICKEL	2700K/3000K/3500K/4000K/5000K	800	90°	045923118586	8
S11859	10.5WLED/DIR/5-6/CCT-SEL/120V/BZ	10.5	BRONZE	2700K/3000K/3500K/4000K/5000K	800	90°	045923118593	8

*Consult Satco or visit www.satco.com for an up to date dimmer compatibility list.

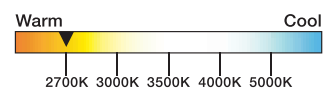
Product sheet SA986

DOWNLIGHT RETROFITS - DEEP BAFFLE



Features:

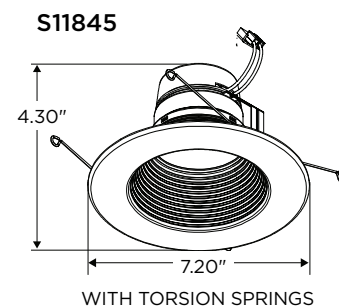
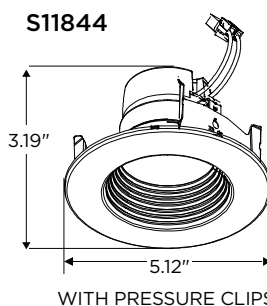
- 2700K/3000K/3500K/4000K/5000K Selectable
- Replaces 45W and 65W reflectors
- Deep baffle reduces glare
- Dimmable down to 10%
- Wet location
- 90 CRI
- 50,000 Hours
- 5 Year warranty



DOWNLIGHT RETROFITS - DEEP BAFFLE



Color selection switch:
 Warm white 2700K
 Soft White 3000K
 Neutral White 3500K
 Bright White 4000K
 Daylight 5000K



Item	Description	W	V	CCT Selectable	Lm	UPC	Pack
S11844	7WLED/DB/4/CCT-SEL	7W	120V	2700K/3000K/3500K/4000K/5000K	600	045923118449	16
S11845	9WLED/DB/6/CCT-SEL	9W	120V	2700K/3000K/3500K/4000K/5000K	800	045923118456	8

*Visit www.satco.com for an up to date dimmer compatibility list

Product sheet SA2869

Trims available in 4" and 6" black, bronze and brushed nickel configurations:



BLACK



BRONZE



BRUSHED NICKEL

DEEP BAFFLE TRIMS

Item	Description	Size	Finish
80-974	DEEP BAFFLE 4 INCH BLACK TRIM	4"	Black
80-975	DEEP BAFFLE 4 INCH BRONZE TRIM	4"	Bronze
80-976	DEEP BAFFLE 4 INCH BR NICK TRIM	4"	Brushed Nickel
80-977	DEEP BAFFLE 6 INCH BLACK TRIM	6"	Black
80-978	DEEP BAFFLE 6 INCH BRONZE TRIM	6"	Bronze
80-979	DEEP BAFFLE 6 INCH BR NICK TRIM	6"	Brushed Nickel

DOWNLIGHT RETROFITS - SINGLE CCT



Features:

- Direct replacement for reflector lamps
- High efficiency/environmentally friendly
- Dimmable*
- Wet location
- c-UL-us Classified
- Long life—35,000 hours
- ENERGY STAR® certified
- 3 Year warranty



DOWNLIGHT RETROFITS - SINGLE CCT



E26 Adapter included

This retrofit is for use with recessed housings with an E26 socket only

Pressure Bracket (80-2676)
(7.2W only)



Item	Description	Lm	CCT	UPC	Pack
S39312	7.2WLED/RDL/5-6/927/120V	650	2700K	045923393129	12
S39313	7.2WLED/RDL/5-6/930/120V	650	3000K	045923393136	12
S39314	7.2WLED/RDL/5-6/940/120V	650	4000K	045923393143	12
S39315	7.2WLED/RDL/5-6/950/120V	650	5000K	045923393150	12



Item	Description	Lm	CCT	UPC	Pack
S11642	12.5WLED/RDL/5-6/927/120V	900	2700K	045923116421	12
S11643	12.5WLED/RDL/5-6/930/120V	900	3000K	045923116438	12
S11644	12.5WLED/RDL/5-6/940/120V	900	4000K	045923116445	12
S11645	12.5WLED/RDL/5-6/950/120V	900	5000K	045923116452	12

*Consult Satco or visit www.satco.com for an up-to-date dimmer compatibility list. See warranty for details.

DOWNLIGHT RETROFIT - VALUE PACK



Features:

- 6 Piece Pack For Value & Convenience
- Easy To Install
- 5/6" 65W Replacement
- 4" 45W Replacement
- Energy Star Certified
- Damp Location
- CA COMPLIANT: T20, T24
- 3 Year Warranty

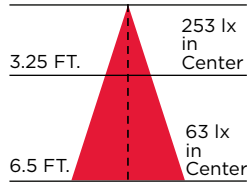


DOWNLIGHT RETROFIT - VALUE PACK



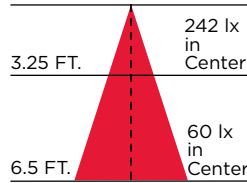
E26 Adapter included.
These retrofits are for use with recessed housings with an E26 socket only.

ILLUMINATION 8.7W
CCT 3000K
Beam Angle: 102°



Suitable Can Dimension	
Type:	4 Inch
Min. Height	5.6"
Diameter	3.93" Min.

ILLUMINATION 9.2W
CCT 3000K
Beam Angle: 102°



Suitable Can Dimension	
Type:	5/6 Inch
Min. Height	7.5"
Diameter	5.2" Min.



S11640



S11641



Item	Description	W	V	CRI	CCT	Lm	Life/Hrs.	UPC	Pack
LED Downlight Retrofit 6 packs									
S11640	8.7WLED/RDL/4/930/120V/6PK	8.7W	120V	90	3000K	600	35K	045923116407	4
S11641	9.2WLED/RDL/5-6/930/120V/6PK	9.2W	120V	90	3000K	650	35K	045923116414	3

*Consult Satco or visit www.satco.com for an up-to-date dimmer compatibility list. See warranty for details.

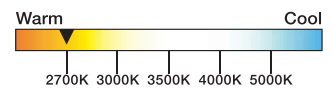
Product sheet SA2732

RECESSED DOWNLIGHT WITH NIGHT LIGHT

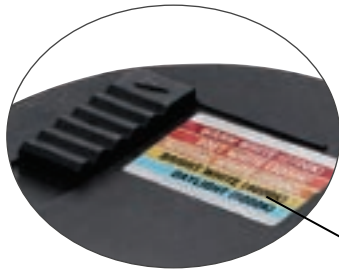


Features:

- Integrated Night Light
- 65w Incandescent Replacement
- 5 CCT Selectable
- Installs In 5/6" Recessed Housing
- Dual Mode (Standard and Night)
- Dimmable (Standard Light Mode)
- Replaces 45W And 65W Reflectors



RECESSED DOWNLIGHT WITH NIGHT LIGHT



Color Selection Switch
 Warm white 2700K
 Soft White 3000K
 Neutral White 3500K
 Bright White 4000K
 Daylight 5000K



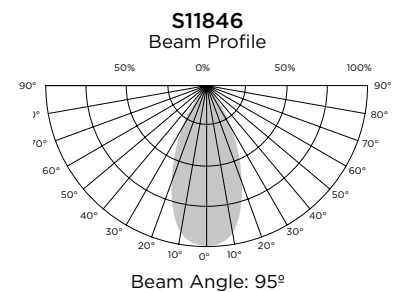
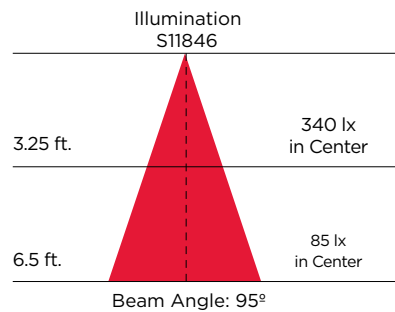
Night Light Ring
 Toggle light switch to activate night light mode.



E26 Connector included

GU24 Adapter
 sold separately (S8999)

Pressure Bracket
 sold separately (80-2676)



Item	Description	Size	W	CCT Selectable	Lm	UPC	Pack
S11846	Integrated LED Recessed Downlight with Night Light Feature	5/6"	7	2700K/3000K/3500K/4000K/5000K	800	045923118463	8
	Night Light Mode			2200K	150		

Product sheet SA2934

LED READY RECESSED CAN

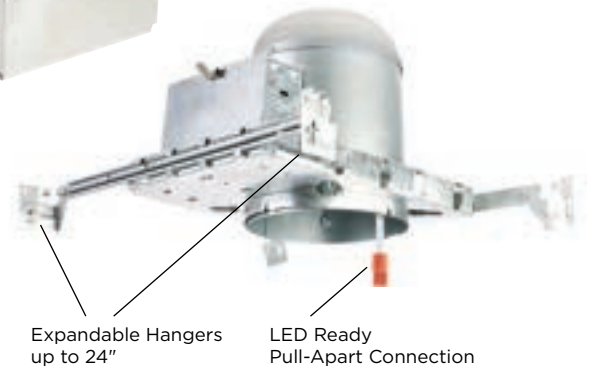


Features:

- Air tight rated
- Suitable for damp or wet locations
- cETLus Rated



Remodel

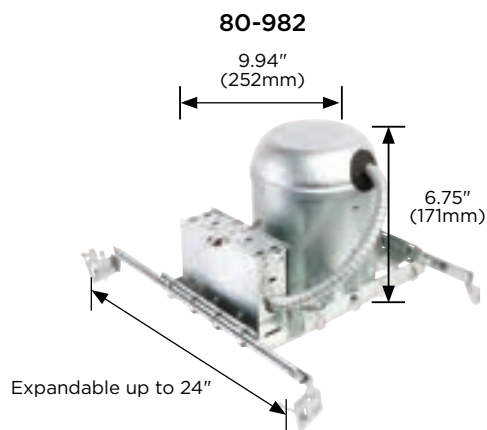
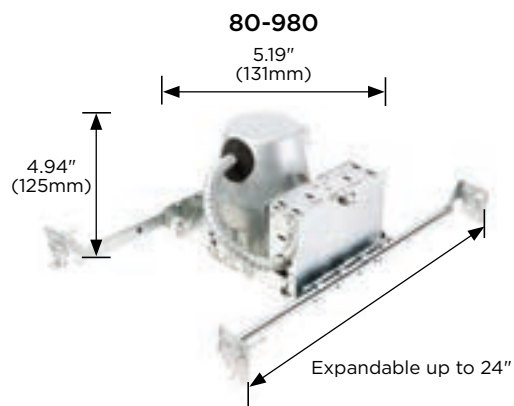


Expandable Hangers
up to 24"

LED Ready
Pull-Apart Connection

New Construction

LED READY RECESSED CAN



Dimensions

Item	A	B	C	D
80-980	4.94"	4.31"	8.125"	5.19"
80-981	5.56"	4.75"	11.81"	4.75"
80-982	6.75"	5.62"	9.94"	6.88"
80-983	7.31"	6.06"	13.06"	4.75"



Item	Description	UPC	Case Quantity
80-980	4" Recessed Can for New Construction	045923809804	6
80-981	4" Recessed Can for Remodel	045923809811	6
80-982	5" Recessed Can for New Construction	045923809828	6
80-983	5" Recessed Can for Remodel	045923809835	6

*Consult Satco or visit www.satco.com for an up-to-date dimmer compatibility list. See warranty for details.

Product sheet SA2993

12V LED RECESSED DOWNLIGHT RETROFITS



Features:

- Dimmable
- Wet location listed
- Works with magnetic and electronic 12V transformers
- Long life—35,000 hours
- 3 Year warranty



Bi-Pin Adapter included



Item	Description	W	V	CRI	CCT	Lm	Beam	Trim Finish	Trim Size (in.)	Life (hrs.)	UPC	Pack
S9729	7.5WLED/RDL/4"BFL/12V 90CRI 3K	7.5	12	90	3000K	460	90°	WH	4.94	35K	045923097294	12

Product sheet SA1174

QUICK TRIM™ 4", 5"/6" LED RECESSED DOWNLIGHT RETROFIT 2-PACKS



Features:

- Direct replacement for reflector lamps
- Dimmable*
- Damp location listed
- Long life—25,000 hours
- ENERGY STAR® certified
- 3 Year warranty



Extends to reach the socket.
Retracts to meet the surface.



Step 1

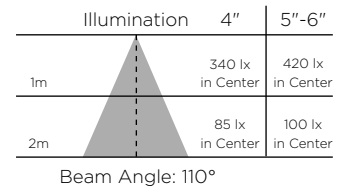


Screw lamp into existing socket.

Step 2



Push into the fixture until the trim is flush against surface.



Item	Description	W	V	CRI	CCT	Lm	Beam	Trim Finish	Trim Size (in.)	Life (hrs.)	UPC	Pack
S9598	8.5W/LED/4"TRIM/2700K/120V/2PK	8.5	120	80+	2700K	510	110°	White	5.75	25K	045923095986	12/2
S9599	12W/LED/5-6"TRIM/2700K/120V/2P	12	120	80+	2700K	800	110°	White	8.25	25K	045923095993	12/2

*Consult Satco or visit www.satco.com for an up to date dimmer compatibility list.

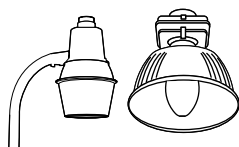
HI-PRO LED FILAMENT LAMPS



Features:

- Replacement for up to 175W HID
- Energy saving LED, traditional HID look
- Universal burning position
- Ballast bypass 120V-277V
- 3000K, 5000K options
- 360° Beam angle
- E26/EX39 Base versions
- Wet location
- 3 Year warranty

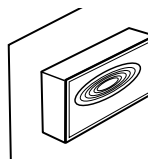
Common Applications



High Bay, Low Bay
& Security



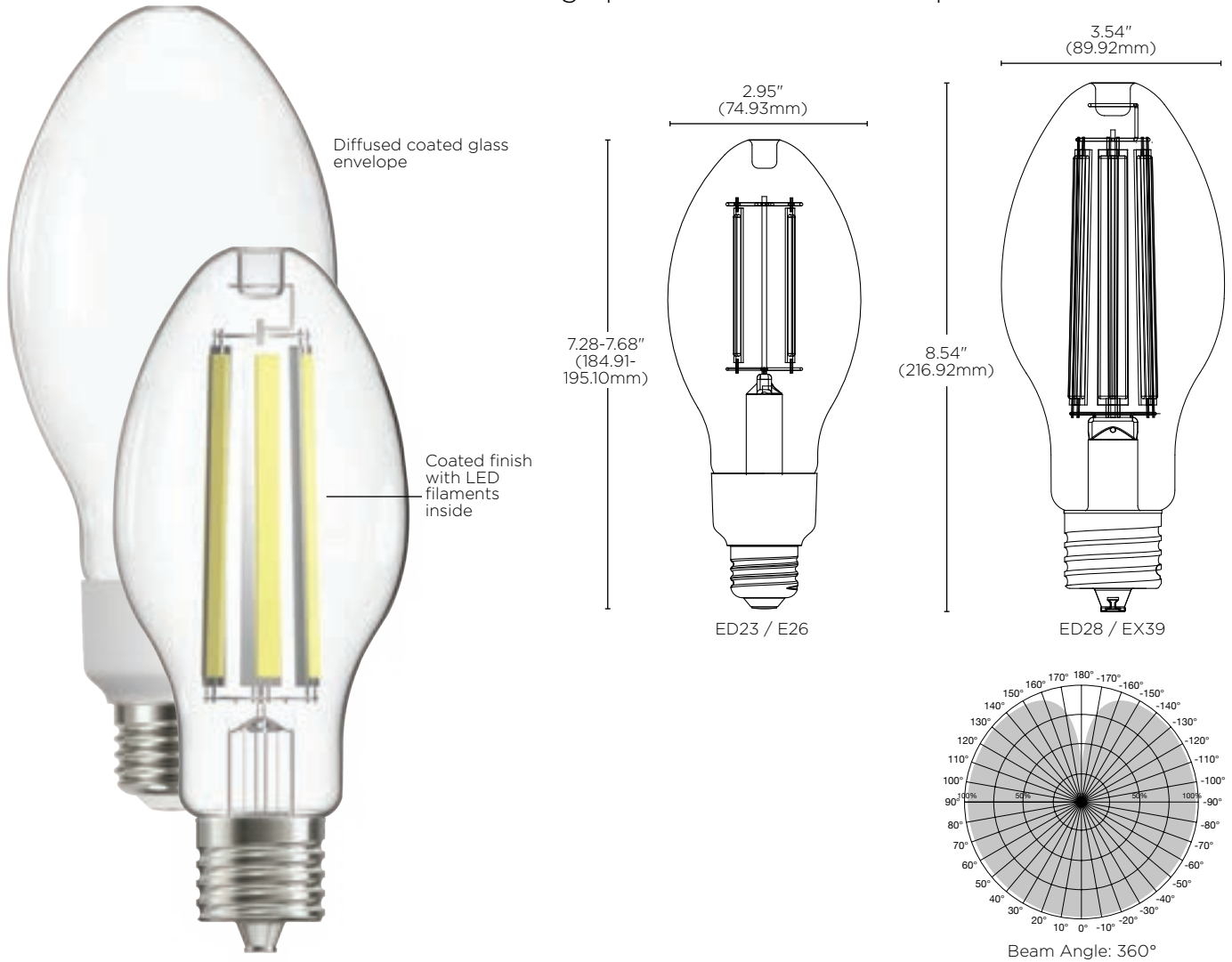
Post Top
Lighting



Wall
Pack



What's inside: High power LED filament strips



Item	Description	HID Equivalent	W	V	Bulb Shape	Base	CCT	Lm	CRI	MOL (in.)	MOD (in.)	Life (hrs.)	UPC	Pack
E26														
S13130	16W/LED/HID/ED23/850/E26	70	16	120-277	ED23	E26	5000K	2000	80	7.28	2.95	25K	045923131301	12/1
S13131	22W/LED/HID/ED23/850/E26	100	22	120-277	ED23	E26	5000K	3000	80	7.28	2.95	25K	045923131318	12/1
S13132	30W/LED/HID/ED23/830/E26	125	30	120-277	ED23	E26	3000K	4000	80	7.68	2.95	25K	045923131325	12/1
S13133	30W/LED/HID/ED23/850/E26	125	30	120-277	ED23	E26	5000K	4000	80	7.68	2.95	25K	045923131332	12/1
EX39														
S13134	36W/LED/HID/ED28/850/EX39	150	36	120-277	ED28	EX39	5000K	5000	80	8.54	3.54	25K	045923131349	12/1
S13135	42W/LED/HID/ED28/830/EX39	175	42	120-277	ED28	EX39	3000K	6000	80	8.54	3.54	25K	045923131356	12/1
S13136	42W/LED/HID/ED28/850/EX39	175	42	120-277	ED28	EX39	5000K	6000	80	8.54	3.54	25K	045923131363	12/1

Product sheet SA2738

WATTAGE & CCT SELECTABLE HI-PRO LAMPS



Features:

- Built in sensor port for additional control options
- Dedicated wattage to ensure proper size lamp for the fixture
- CCT selectable
- Advanced thermal management
- 4kV built-in surge protection
- Enclosed rated
- Damp Location
- DLC certified
- Long-life - 50,000 Hours



Switch to/from the following CCT



WATTAGE & CCT SELECTABLE HI-PRO LAMPS



HID WATTAGE EQUIVALENTS

Item	HID High Watt Eq.	HID Med. Watt Eq.	HID Low Watt Eq.
S23146	18W=75W	16W=50W	12W=40W
S23147	22W=100W	18W=75W	16W=50W
S23148	27W=125W	22W=100W	18W=75W
S23151	27W=125W	22W=100W	18W=75W
S23149	36W=150W	27W=125W	18W=75W
S23152	36W=150W	27W=125W	18W=75W
S23140	45W=175W	36W=150W	27W=125W
S23141	45W=175W	36W=150W	27W=125W
S23142	54W=200W	45W=175W	36W=150W
S23150	63W=250W	54W=200W	45W=175W
S23143	80W=320W	63W=250W	54W=200W
S23144	100W=400W	80W=320W	63W=250W
S23145	120W=600W	100W=400W	80W=320W



Item	Description	W Selectable	V	Base Type	CCT Selectable	Lm/Wattage High/Med/Low	M.O.L. (In.)	UPC	Pack
S23146	18W/LED/HID/CCT/E26	18/16/12	100-277	E26	3000/4000/5000K	2520/2240/1680	6.29	045923231469	24
S23147	22W/LED/HID/CCT/E26	22/18/16	100-277	E26	3000/4000/5000K	3080/2520/2240	6.89	045923231476	24
S23148	27W/LED/HID/CCT/E26	27/22/18	100-277	E26	3000/4000/5000K	3780/3080/2520	6.89	045923231483	24
S23151*	27W/LED/HID/CCT/EX39	27/22/18	100-277	EX39	3000/4000/5000K	3780/3080/2520	7.48	045923231513	24
S23149	36W/LED/HID/CCT/E26	36/27/18	100-277	E26	3000/4000/5000K	5040/3780/2520	8.27	045923231490	24
S23152*	36W/LED/HID/CCT/EX39	36/27/18	100-277	EX39	3000/4000/5000K	5040/3780/2520	8.50	045923231520	24
S23140	45W/LED/HID/CCT/E26	45/36/27	100-277	E26	3000/4000/5000K	6300/5040/3780	9.45	045923231407	12
S23141*	45W/LED/HID/CCT/EX39	45/36/27	100-277	EX39	3000/4000/5000K	6300/5040/3780	9.69	045923231414	12
S23142*	54W/LED/HID/CCT/EX39	54/45/36	100-277	EX39	3000/4000/5000K	7560/6300/5040	9.69	045923231421	12
S23150*	63W/LED/HID/CCT/EX39	63/54/45	100-277	EX39	3000/4000/5000K	8820/7560/6300	10.28	045923231506	12
S23143*	80W/LED/HID/CCT/EX39	80/63/54	100-277	EX39	3000/4000/5000K	11200/8820/7560	9.96	045923231438	4
S23144*	100W/LED/HID/CCT/EX39	100/80/63	100-277	EX39	3000/4000/5000K	14000/11200/8820	10.55	045923231445	4
S23145*	120W/LED/HID/CCT/EX39	120/100/80	100-277	EX39	3000/4000/5000K	16800/14000/11200	11.33	045923231452	4

Product sheet SA2853

HI-PRO LED LAMPS - SINGLE CCT



Features:

- High Lumen per watt ratio
- Superior LED light output
- Enclosed fixture rated
- Advanced thermal management
- Damp location



HI-PRO LED LAMPS - SINGLE CCT



Item	Description	W	V	Base Type	CCT	Lm	HID Equivalent	CRI	KV Surge Protection	Life/Hrs.	M.O.L. (In.)	UPC	Pack
S49670	18W/LED/HP/827/E26	18	120-277	E26	2700	2340	70W	80	2KV	35K	5.45	045923496707	24/12
S49390	18W/LED/HP/850/E26	18	120-277	E26	5000	2484	70W	80	2KV	35K	5.45	045923493904	24/12
S49671	22W/LED/HP/827/E26	22	120-277	E26	2700	2860	100W	80	2KV	35K	5.71	045923496714	24/12
S49391	22W/LED/HP/850/E26	22	120-277	E26	5000	3036	100W	80	2KV	35K	5.71	045923493911	24/12
S49672	36W/LED/HP/827/E26	36	120-277	E26	2700	4680	150W	80	3KV	35K	7.16	045923496721	12
S49392	36W/LED/HP/850/E26	36	120-277	E26	5000	4968	150W	80	3KV	35K	7.16	045923493928	12
S49738	45W/LED/HP/840/E26	45	120-277	E26	4000	6165	175W	80	3KV	35K	7.78	045923497384	12
S49739	45W/LED/HP/850/E26	45	120-277	E26	5000	6210	175W	80	3KV	35K	7.78	045923497391	12
S49673	45W/LED/HP/840/EX39	45	120-277	EX39	4000	6165	175W	80	3KV	35K	8.06	045923496738	12
S49393	45W/LED/HP/850/EX39	45	120-277	EX39	5000	6210	175W	80	3KV	35K	8.06	045923493935	12
S49674	54W/LED/HP/840/EX39	54	120-277	EX39	4000	7398	250W	80	3KV	35K	8.78	045923496745	12
S49394	54W/LED/HP/850/EX39	54	120-277	EX39	5000	7452	250W	80	3KV	35K	8.78	045923493942	12
S49675	80W/LED/HP/840/EX39	80	120-277	EX39	4000	10960	320W	80	4KV	35K	8.69	045923496752	4
S49395	80W/LED/HP/850/EX39	80	120-277	EX39	5000	11040	320W	80	4KV	35K	8.69	045923493959	4
S49676	100W/LED/HP/840/EX39	100	120-277	EX39	4000	13700	400W	80	4KV	35K	9.67	045923496769	4
S49396	100W/LED/HP/850/EX39	100	120-277	EX39	5000	13800	400W	80	4KV	35K	9.67	045923493966	4
S49677	120W/LED/HP/840/EX39	120	120-277	EX39	4000	16440	600W	80	4KV	35K	10.26	045923496776	4
S49397	120W/LED/HP/850/EX39	120	120-277	EX39	5000	16560	600W	80	4KV	35K	10.26	045923493973	4

*See warranty for details at www.satco.com. Lamp life may vary depending on application and use.

Product sheet SA2553

HI-PRO CCT SELECTABLE HIGH VOLTAGE LAMPS 277-480V



Features:

- CCT selectable-3,000K,4,000K, 5,000K
- 277-347V and 277-480V options
- Sensor port on all 480 volt versions
- Enclosed Fixture Rated
- Advanced thermal management
- Damp location
- 4kV built in surge protection
- 50,000 hours



ColorQuick™

Selectable Color Technology

Switch to/from the following CCT



HI-PRO CCT SELECTABLE HIGH VOLTAGE LAMPS 277-480V



AVAILABLE HI-PRO SENSORS



COLOR TEMPERATURE/LUMENS

Item	CCT	Lumens
S23160	3000-4000-5000	2340-2520-2430
S23161	3000-4000-5000	3510-3780-3645
S23162	3000-4000-5000	4680-5040-4860
S23163	3000-4000-5000	5850-6300-6075
S23164	3000-4000-5000	4680-5040-4860
S23165	3000-4000-5000	5850-6300-6075
S23166	3000-4000-5000	7020-7560-7290
S23167	3000-4000-5000	10400-11200-10800
S23168	3000-4000-5000	13000-14000-13500



Item	Description	Watts	V	Base Type	CCT Selectable	Lm Low/High/Med	CRI	Life/Hrs.	M.O.L. (In.)	UPC	Pack
S23160*	18W/LED/HID/CCT/E26	18	277-347	E26	3000/4000/5000	2340-2520-2430	80	50K	6.3	045923231605	24/12
S23161*	27W/LED/HID/CCT/E26	27	277-347	E26	3000/4000/5000	3510-3780-3645	80	50K	6.89	045923231612	24/12
S23162**	36W/LED/HID/CCT/E26	36	277-480	E26	3000/4000/5000	4680-5040-4860	80	50K	7.73	045923231629	12
S23163**	45W/LED/HID/CCT/E26	45	277-480	E26	3000/4000/5000	5850-6300-6075	80	50K	8.91	045923231636	12
S23164***	36W/LED/HID/CCT/EX39	36	277-480	EX39	3000/4000/5000	4680-5040-4860	80	50K	8.35	w045923231698	12
S23165***	45W/LED/HID/CCT/EX39	45	277-480	EX39	3000/4000/5000	5850-6300-6075	80	50K	9.53	045923231650	12
S23166***	54W/LED/HID/CCT/EX39	54	277-480	EX39	3000/4000/5000	7020-7560-7290	80	50K	9.53	045923231667	12
S23167***	80W/LED/HID/CCT/EX39	80	277-480	EX39	3000/4000/5000	10400-11200-10800	80	50K	9.88	045923231674	4
S23168***	100W/LED/HID/CCT/EX39	100	277-480	EX39	3000/4000/5000	13000-14000-13500	80	50K	10.46	045923231681	4

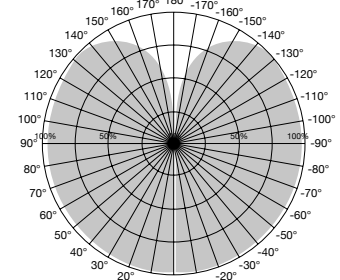
Item	Description	UPC
80-954	Hi-Pro Wi-Fi Module - (Satco STARFISH in the App store)	045923809549
80-955	Hi-Pro Motion Sensor - Infra-Red - Standby bi-level dimming	045923809552
80-956	Hi-Pro Photocell - On/Off with adjustable settings for daylight and timers	045923809563
80-957	Hi-Pro Microwave motion sensor - On/Off with standby dimming option	045923809570

Product sheet SA2903

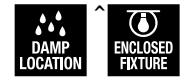
HI-PRO LED 12-24V LOW VOLTAGE LAMPS

Features:

- Replaces HID, CFL, and Incandescent
- Approved for totally enclosed fixtures ^
- IP645 rated
- 5000K
- Long life—50,000 hours
- 5 Year limited warranty



Beam Angle: 330°



Item	Description	HID Equiv.	W	V	Base	CCT	Lm	CRI	MOL (in.)	MOD (in.)	Life (hrs.)	UPC	Pack
S9753	10W/LED/HID/5000K/12V-24V E26	30	10	12-24	E26	5000K	1200	80+	5.81	2.44	50K	045923097539	48/1
S9754	14W/LED/HID/5000K/12V-24V E26	50	14	12-24	E26	5000K	1680	80+	6.19	2.88	50K	045923097546	48/1
S9755	18W/LED/HID/5000K/12V-24V E26	70	18	12-24	E26	5000K	2160	80+	7.00	2.88	50K	045923097553	48/12

^ See warranty for details at www.satco.com. Lamp life may vary depending on application and use.

Product sheet SA2609

HI-PRO LED POST TOP LAMPS

Features:

- For use in any post top fixture to provide light out and down only
- Direct wire (ballast by-pass) 100-277V / E26
- Approved for enclosed fixtures ^
- Long life—50,000 hours
- 5 Year limited warranty



Controls light pollution



Item	Description	HID Equiv.	W	V	Base	CCT	Lm	CRI	MOL (in.)	MOD (in.)	Life (hrs.)	UPC	Pack
S9779	40W/LED/HID/PT/3000K/100-277V	175	40	100-277	E26	3000K	5000	80+	5.50	5.13	50K	045923097799	12/1

Accessories

92-410	Mog to Med Socket Reducer											045923924064	
80-929	Hard Wire Surge Protector											045923809293	

^ See warranty for details at www.satco.com

Product sheet SA2107

HI-PRO LED MULTI-BEAM LAMPS

Features:

- Replaces HID, CFL, and incandescent
- Direct wire range voltage 100-277V
- Approved for totally enclosed fixtures[^]
- High bay, low bay, hanging sockets, and post top
- 2700K or 5000K
- Multi-directional
- Light panels lock into place creating
- 3 separate beam angle options
- Long life—50,000 hours
- 5 Year limited warranty



260° Beam



120° Beam



150° Beam



Item	Description	HID Equiv.	W	V	Base	CCT	Lm	CRI	MOL (in.)	MOD (in.)	Life (hrs.)	UPC	Pack
S39768	30W/LED/HID/MB-G3/27K/100-277V	150	30	100-277	E26	2700K	3840	80	6.69	3.35	50K	045923397684	24/6
S39750	30W/LED/HID/MB-G3/50K/100-277V	150	30	100-277	E26	5000K	4200	80	6.69	3.35	50K	045923397509	24/6
S39798◆	40W/LED/HID/MB-G3/27K/100-277V	175	40	100-277	EX39	2700K	5120	80	7.24	3.35	50K	045923397981	12/6
S39751◆	40W/LED/HID/MB-G3/50K/100-277V	175	40	100-277	EX39	5000K	5600	80	7.24	3.35	50K	045923397516	12/6
S39799◆	60W/LED/HID/MB-G3/27K/100-277V	250	60	100-277	EX39	2700K	7680	80	7.76	4.13	50K	045923397998	12/6
S39752◆	60W/LED/HID/MB-G3/50K/100-277V	250	60	100-277	EX39	5000K	8400	80	7.76	4.13	50K	045923397523	12/6
S39769◆	75W/LED/HID/MB-G3/50K/100-277V	400	75	100-277	EX39	5000K	10500	80	8.46	4.13	50K	045923397691	12/6
S39679◆	90W/LED/HID/MB-G3/50K/100-277V	600	90	100-277	EX39	5000K	12600	80	9.84	4.84	50K	045923396793	6/1

Accessories

86-215	Hi-Pro Motion Sensor/PIR (Passive Infrared)											045923862151	
80-929	Hard Wire Surge Protector - 10kV											045923809293	
92-410	Mog to Med Socket Reducer for S39750 and S39768											045923924101	

[^]See warranty for details at www.satco.com

Product sheet SA2678



Item	Description	Max. W	Max V.	UPC	Pack
90-483	Keyless Mogul Lamp Holder	1500	600	045923904837	30

60W LED MULTI-BEAM UTILITY LIGHT WITH & WITHOUT MOTION SENSOR

Features:

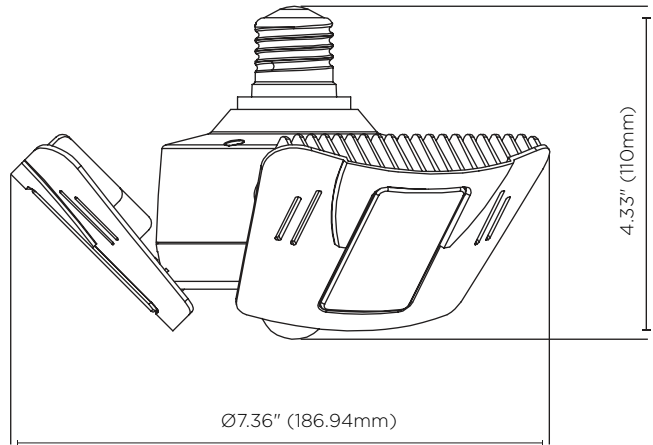
- Replaces high-wattage HID CFL & Incandescent lamps, but uses only 60 Watts
- LED panels adjust to 135° and a full 180°
- Rugged construction
- Built-in motion sensor option
- E26 medium base
- Direct wire range voltage 100-277V
- Damp location
- c-UL-us Listed
- 3 Year warranty

Applications:

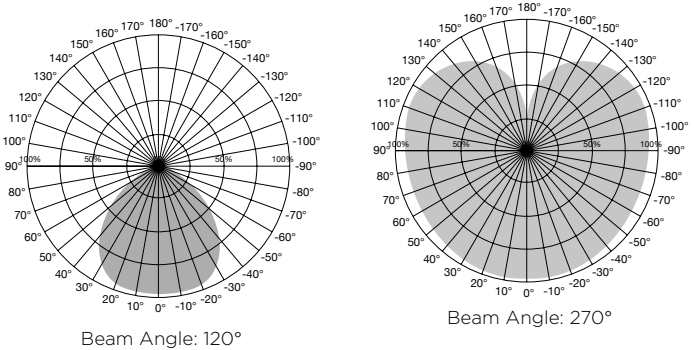
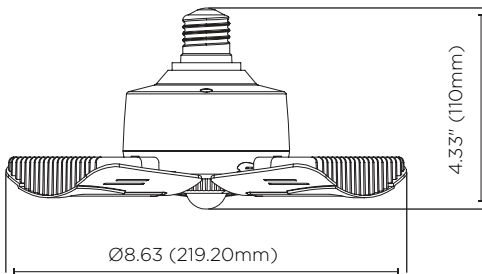
- Garage
- Barn
- Workshop
- Shed
- Utility room
- Large open spaces



270° Beam



120° Beam



Beam Angle: 120°

Beam Angle: 270°



Item	Description	HID Equiv.	W	V	Base	CCT	Lm	CRI	MOL (in.)	MOD (in.)	Life (hrs.)	UPC	Pack
S13118	60W/LED/UTL/MB/4000K	175	60	100-277	E26	4000K	5880	80	4.21	4.75	50K	045923131189	12/1
S13119	60W/LED/UTL/MB/4000K/MOTION	175	60	100-277	E26	4000K	5880	80	4.33	4.75	50K	045923131196	12/1

Product sheet SA2320

ADJUSTABLE LED UTILITY AND GARAGE LIGHT



Features:

- Replaces high-wattage HID CFL & Incandescent lamps, but uses only 30 Watts
- LED panels adjust to 100° to 300°
- E26 medium base
- 3" Base extension included



3" Extension included



100° to 300° adjustable beam angle

Applications:

- Garage
- Workshop
- Shed
- Utility room

36 Piece floor display available
D2103



Item	Description	W	V	Base Type	CCT	CRI	Life/Hrs.	M.O.L. (In.)	UPC	Pack
S13146	30W/LED/UTL/MB/5000K	30	120	E26	5000K	80	50K	4.4	045923131462	24

Available 36-piece attractive floor display D2103

Product sheet SA2904

HI-PRO 360

Features:

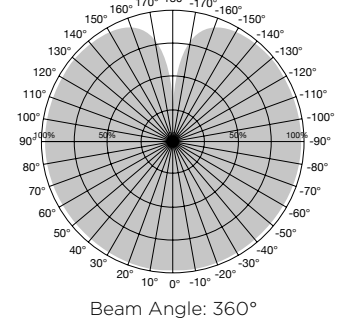
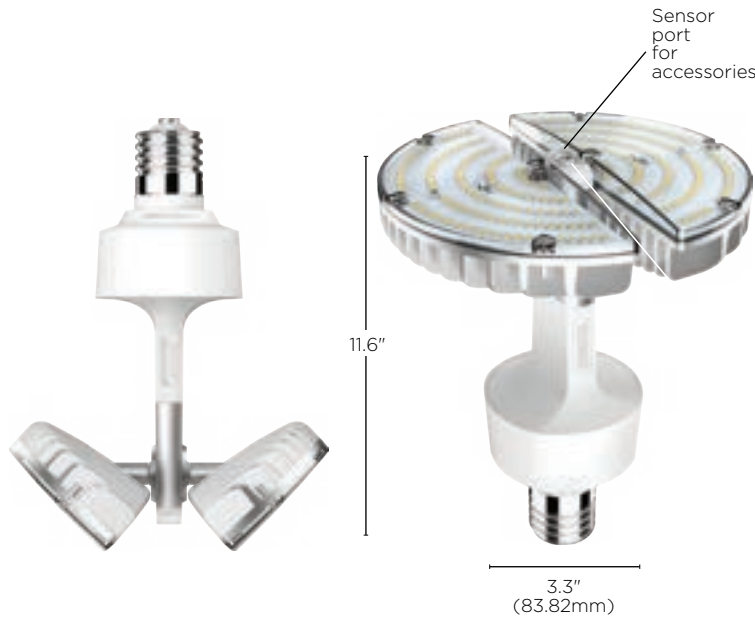
- Multi-angle rotating LED lamp with folding panel design
- Replaces HID, CFL, and incandescent
- Direct wire range voltage 100-277V
- Approved for totally enclosed fixtures*
- 2700K 4000K or 5000K options
- Built-in 4kV surge protection
- EX39 base
- IP64/Damp location
- Long life—50,000 hours
- 5 Year limited warranty

Application:

- Indoor/outdoor direct replacement
- Street lamps/shoe box
- High bays/low bays
- Parking garages
- Commercial and industrial security
- Gymnasiums and other high ceiling applications
- Outdoor canopies



Up, down, tilt, angle one side or both—almost unlimited lighting options



Item	Description	HID Equiv.	W	V	Base	CCT	Lm	CRI	MOL (in.)	MOD (in.)	Life (hrs.)	UPC	Pack
S13120◆	70W/LED/HID/HP360/827/100-277V	250	70	100-277	EX39	2700K	10500	80+	11.59	7.00	50K	045923131202	8/1
S13121◆	70W/LED/HID/HP360/840/100-277V	250	70	100-277	EX39	4000K	10500	80+	11.59	7.00	50K	045923131219	8/1
S13122◆	70W/LED/HID/HP360/850/100-277V	250	70	100-277	EX39	5000K	10500	80+	11.59	7.00	50K	045923131226	8/1
S13127◆	100W/LED/HID/HP360/850/100-277V	350	100	100-277	EX39	5000K	15000	80+	12.35	4.60	50K	045923131271	4/1

Accessories

80-929	Hard Wire Surge Protector - 10kV											045923809293	
80-954†	Hi-Pro Wi-Fi Module - (Satco STARFISH in the App store)											045923809549	
80-956	Hi-Pro Photocell - On/Off with adjustable settings for daylight and timers											045923809563	
80-957	Hi-Pro Microwave motion sensor - On/Off with standby dimming option											045923809570	

*See warranty for details at www.satco.com

HI-PRO SHOEBOX LAMP WITH SENSOR PORT

Features:

- Greater efficiency
- 4kV surge protection
- Advanced heat dissipation
- Rotatable base
- New sensor port & accessories

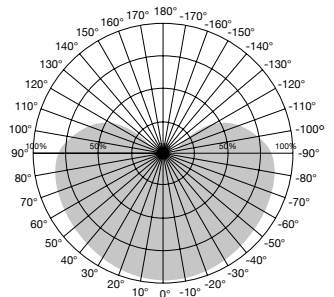
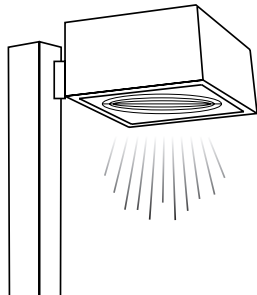
Applications:

- Shoebbox/Parking lot
- Canopy
- Landscape Flood



Rotates 320° when installed

Hi-Pro Sensor port



Beam Angle: 180°



Item	Description	HID Equiv.	W	V	Base	CCT	Lm	CRI	MOL (in.)	MOD (in.)	Life (hrs.)	UPC	Pack
S28931	80W/LED/HID/SB/3K/EX39	250	80	100-277	EX39	3000K	10400	83	8.77	4.38	50K	045923289316	4/1
S28932	80W/LED/HID/SB/5K/EX39	250	80	100-277	EX39	5000K	10400	83	8.77	4.38	50K	045923289323	4/1
S28937	110W/LED/HID/SB/3K/EX39	400	110	100-277	EX39	3000K	14300	83	11.13	4.38	50K	045923289378	4/1
S28938	110W/LED/HID/SB/5K/EX39	400	110	100-277	EX39	5000K	14300	83	11.13	4.38	50K	045923289385	4/1

Accessories

80-929	Hard Wire Surge Protector - 10kV											045923809293	100
80-954†	Hi-Pro Wi-Fi Module - (Satco STARFISH in the App store)											045923809549	100
80-956	Hi-Pro Photocell - On/Off with adjustable settings for daylight and timers											045923809563	100
80-957	Hi-Pro Microwave motion sensor - On/Off with standby dimming option											045923809570	100

† See warranty for details at www.satco.com

Product sheet SA2687

HI-PRO LED CCT AND WATTAGE SELECTABLE WALL PACK



Features:

- CCT Selectable—3000K, 4000K, 5000K
- Wattage selectable
- Enclosed fixture rated
- Advanced thermal management
- Damp location
- 4kV Built in surge protection
- DLC 5.1 (EX39)
- 50,000 hours



WARM WHITE - 2700K

SOFT WHITE - 3000K

NEUTRAL WHITE - 3500K

COOL WHITE - 4000K

NATURAL LIGHT - 5000K

HI-PRO LED CCT AND WATTAGE SELECTABLE WALL PACK



4000K
3000K —|— 5000K
Color Temperature

Switch to/from the following CCT

3000K 4000K 5000K



Item	Description	W	V	Base	Finish	CCT	Lm	UPC	Case Pack
S28928	20W/LED/HID/WP/CCT-SEL/E26	20-10-5	100-277	E26	White	3K-4K-5K	3000-1500-850	045923289286	24
S28980	30W/LED/HID/WP/CCT-SEL/E26	30-20-10	100-277	E26	White	3K-4K-5K	4500-3200-1700	045923289804	12
S28929	40W/LED/HID/WP/CCT-SEL/E26	40-30-20	100-277	E26	White	3K-4K-5K	6000-4700-3200	045923289293	12
S28930*	40W/LED/HID/WP/CCT-SEL/EX39	40-30-20	100-277	EX39	White	3K-4K-5K	6000-4700-3200	045923289309	12
S28987*	60W/LED/HID/WP/CCT-SEL/EX39	60-40-20	100-277	EX39	White	3K-4K-5K	9000-6500-3200	045923289873	12

*See warranty for details at www.satco.com

Product sheet SA2848

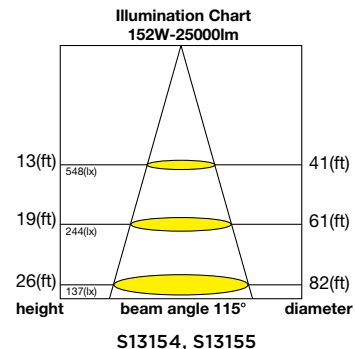
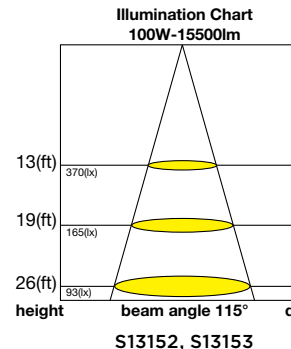
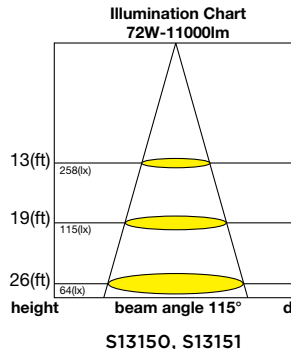
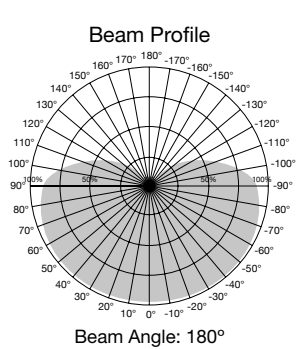
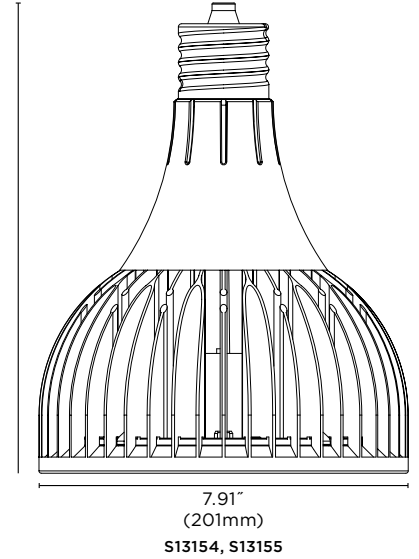
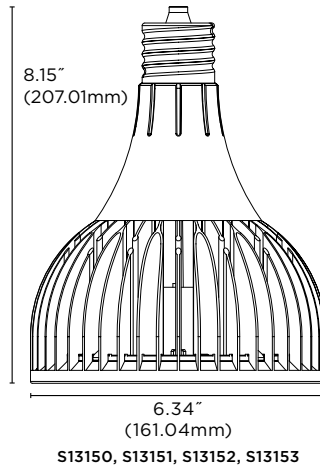
HI-PRO LED HIGH BAY/ LOW BAY LAMPS



Features:

- Replaces HID lamps
- Up to 25,000 Lumens
- Advanced passive heat dissipation
- Wide, 180° beam angle
- Long neck design fits more fixtures
- Dimmable*
- Damp location
- 6kV built in surge protection
- DLC 5.1

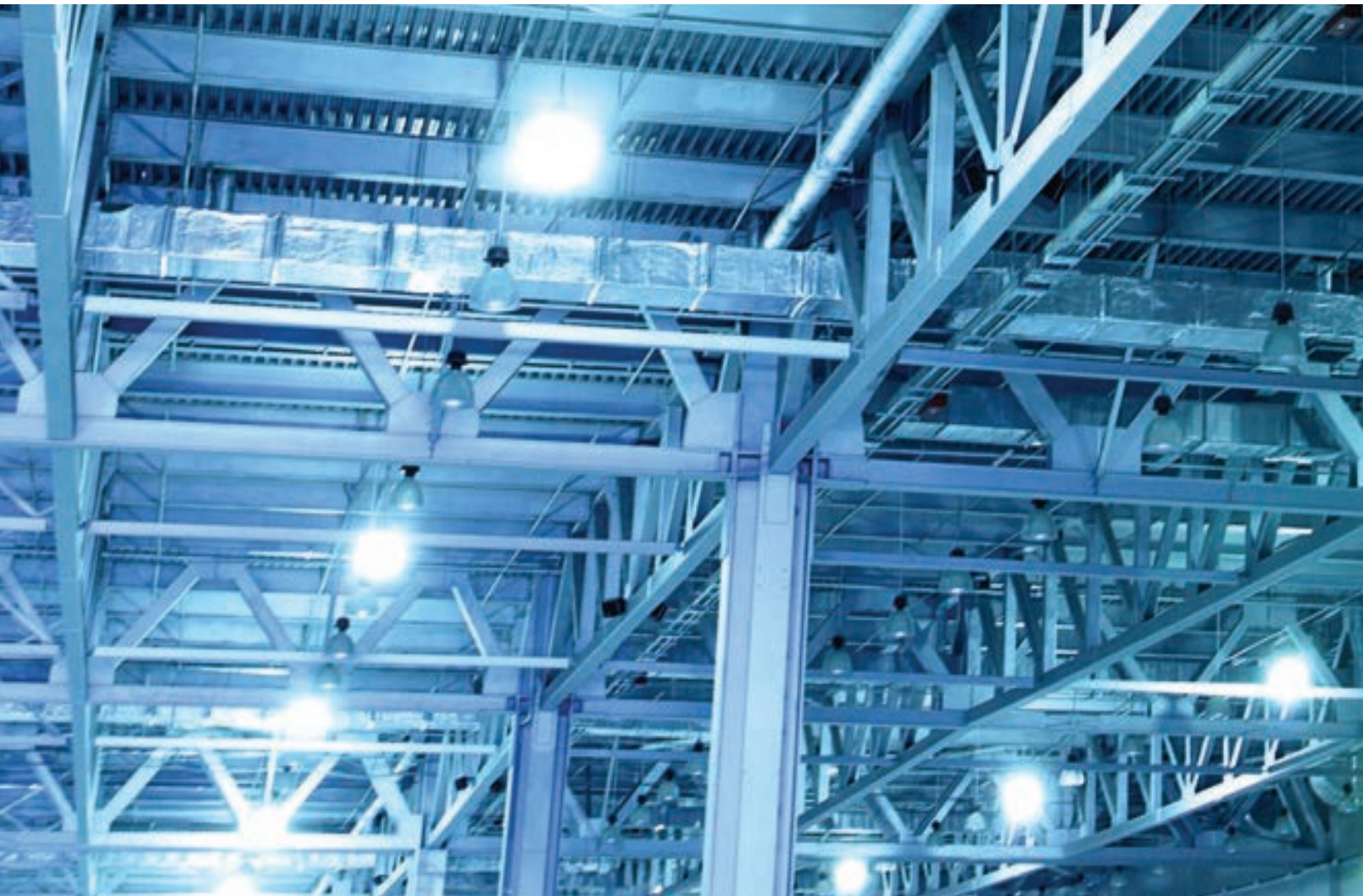
HI-PRO LED HIGH BAY/ LOW BAY LAMPS



Item	Description	W	V	Base	Finish	CCT	Lm	CRI	Beam	MOL (in.)	Life (hrs.)	UPC	Pack
S13150	72W/LED/HID-HB/840/120-277V/DIM	72	120-277	EX39	WHITE	4000K	11,000	80	180°	8.15	50K	045923131509	4
S13151	72W/LED/HID-HB/850/120-277V/DIM	72	120-277	EX39	WHITE	5000K	11,000	80	180°	8.15	50K	045923131516	4
S13152	100W/LED/HID-HB/840/120-277V/DIM	100	120-277	EX39	WHITE	4000K	15,500	80	180°	8.15	50K	045923131523	4
S13153	100W/LED/HID-HB/850/120-277V/DIM	100	120-277	EX39	WHITE	5000K	15,500	80	180°	8.15	50K	045923131530	4
S13154	152W/LED/HID-HB/840/120-277V/DIM	152	120-277	EX39	WHITE	4000K	25,000	80	180°	9.33	50K	045923131547	4
S13155	152W/LED/HID-HB/850/120-277V/DIM	152	120-277	EX39	WHITE	5000K	25,000	80	180°	9.33	50K	045923131554	4

† See satco.com for dimmer compatibility. * See warranty for details at www.satco.com

HI-PRO LED HIGH BAY/ LOW BAY LAMPS



Features

- Wattage selectable
- Replaces HID technologies
- Neck design fits most fixtures
- Advanced internal thermal management
- Wide, 120° beam angle
- Light weight
- Damp location
- 5 Year warranty



HI-PRO LED HIGH BAY/ LOW BAY LAMPS



Power Selectable Switch



Item	Description	W	V	*Lm	CCT	UPC	Pk
S33112	100W/LED/HID-HB/4K	100/80/60	100-277	14000	4000K	045923331121	6
S33113	100W/LED/HID-HB/5K	100/80/60	100-277	14000	5000K	045923331138	6
S33114	130W/LED/HID-HB/4K	130/100/80	100-277	18200	4000K	045923331145	6
S33115	130W/LED/HID-HB/5K	130/100/80	100-277	18200	5000K	045923331152	6
S33116	150W/LED/HID-HB/4K	150/120/100	100-277	21000	4000K	045923331169	6
S33117	150W/LED/HID-HB/5K	150/120/100	100-277	21000	5000K	045923331176	6

Product sheet SA2951

HI-PRO LED TEMPORARY WORK LIGHTS



Features:

- Durable, lightweight with high impact cage
- Energy-efficient, high lumen LED lighting
- Omni-directional 300° beam angle
- Grounded 3-prong plug
- T-handle for mounting

#16/3 Ga. SJTW-3 Orange Outdoor Extension Cords

Satco carries a full line of #16/3 Ga. outdoor extension cords, rugged enough for any job site. See catalog SA1700 or go to www.satco.com for details.

Item	Length
93-5034	8 ft.
93-5035	15 ft.
93-5005	25 ft.

Item	Length
93-5006	50 ft.
93-5007	100 ft.





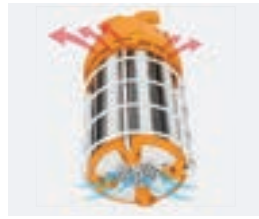
Center hole and T-Bar handle with trigger allows for secure installations from a carabiner hook and even light distribution



Warning light to show 277V input, preventing misuse of the connecting outlet



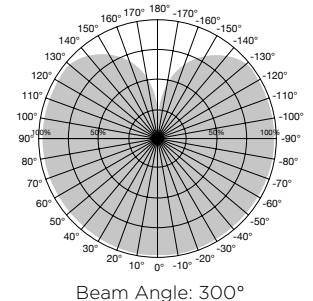
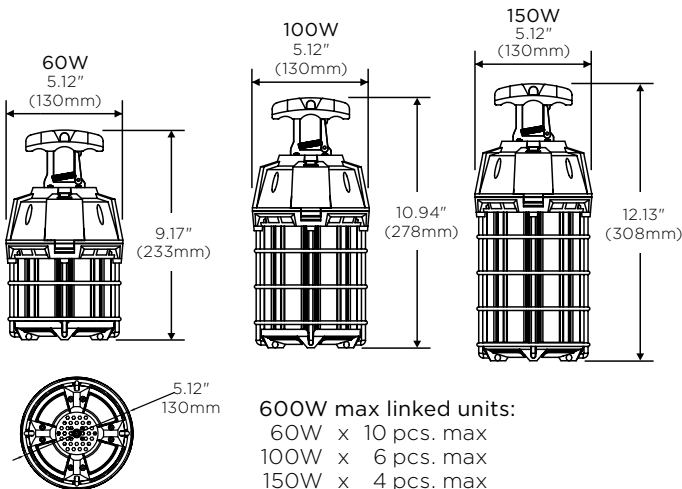
Improved durability of the protective cage



Enhanced passive heat sink design



Linkable for longer runs from one power supply 6 foot cord included..



Item	Description	HID Equiv.	W	V	Base	CCT	Lm	CRI	MOL (in.)	MOD (in.)	Life (hrs.)	UPC	Pack
S38939	60W/LED/HID/TEMP/5K/120V	200	60	120	Plug	5000K	6000	80	9.20	5.12	50K	045923389399	4
S38946	100W/LED/HID/TEMP/5K/120V	400	100	120	Plug	5000K	10000	80	10.90	5.12	50K	045923389467	4
S38975	150W/LED/HID/TEMP/5K/120V	600	150	120	Plug	5000K	15000	80	12.10	5.12	50K	045923389757	4

Product sheet SA2703

HI-PRO WATTAGE SELECTABLE WORK LIGHT



Features:

- High Lumen LED for Industrial & Commercial applications
- 60W/80W/100W Selectable
- IP65
- Replaces HID, CFL, and Incandescent
- Work light with hook and 25' cord
- 120V-277V
- Easy installation, portable, flexible
- 360 Degree illumination
- Suitable for construction areas
- Outdoor activity lighting
- Light weight



HI-PRO WATTAGE SELECTABLE WORK LIGHT



Includes 25' Cord



Power select:
60W/80W/100W Selectable



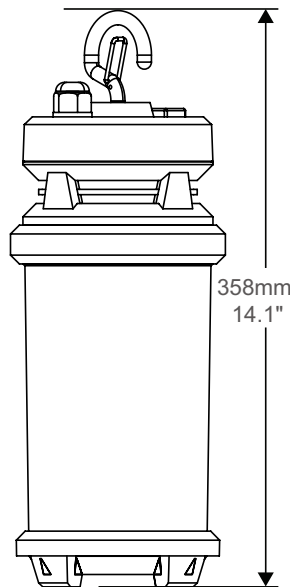
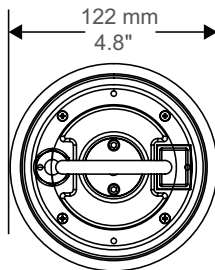
IP65



High resistance PC material to protect the top and bottom of the cage



Enhanced passive heat sink design



Item	Description	HID Equiv.	W	V	Base	CCT	Lm	CRI	Life (hrs.)	UPC	Pack
S13159	100W/LED/HID/IP65/TEMP/120-277V	200	50	120-277V	Plug	5000K	7200/9200/11000	80	50K	0459233592	4

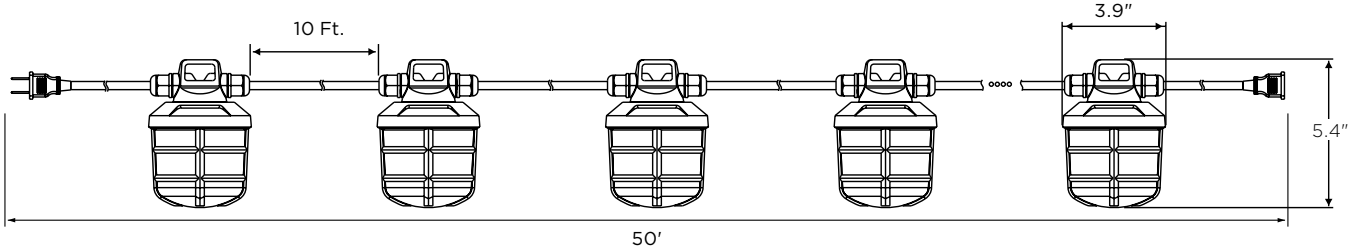
Product sheet SA2960

HI-PRO TEMPORARY CONSTRUCTION STRING LIGHT SET - 50FT.

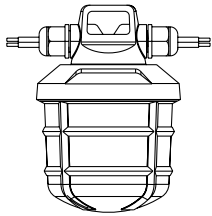


Features:

- For use in any commercial work area
- 5 Lights per string
- 50 Watt/6000 Lumens per string
- 10 ft. between lights
- Linkable up to 6 sets
- Replaces HID, CFL and Incandescent
- 300° Omni-directional light
- Portable/plug-in, 120V
- IP65—Water and dust proof
- 18 AWG cable

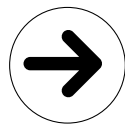


5 x 10W Lamps

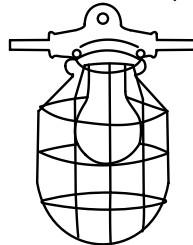


Total 50W

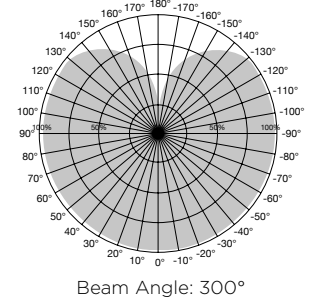
Replace



5 x 75W Lamps



Total 375W



Item	Description	HID Equiv.	W	V	Base	CCT	Lm	CRI	MOL (in.)	MOD (in.)	Life (hrs.)	UPC	Pack
S28976	50-FT/LED/5PC/TEMP/STRING/120V	200	50	120	Plug	5000K	6000	80	5.300	3.70	50K	045923289767	2/1

Product sheet SA2716

LED/CFL BALLAST BYPASS TYPE B REPLACEMENT LAMPS 2-PIN G23, GX23 BASE



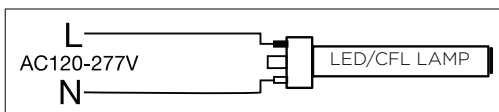
Features

- 4.5W G23 replaces 5W, 7W & 9W CFL
- 6W GX23 replaces 13W CFL
- 2-Sided illumination
- Instant on to full brightness / no flickering
- Vertical or horizontal applications
- Up to 50% energy saving
- c-UL-us Classified
- Long life—50,000 hours
- 5 Year warranty

LED/CFL BALLAST BYPASS TYPE B REPLACEMENT LAMPS 2-PIN G23, GX23 BASE



2 - Sided illumination



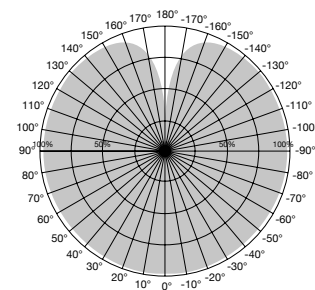
Wiring diagram



G23 Base



GX23 Base



Beam Angle: 360°



4.5 Watts

6 Watts



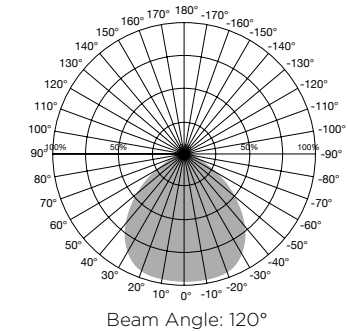
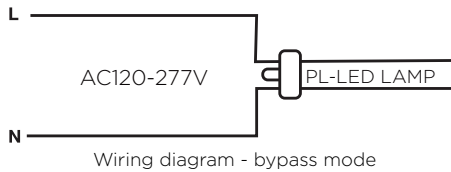
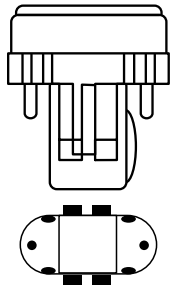
Item	Description	W	V	Bulb Shape	Base	Finish	CCT	Lm	CRI	Beam	MOL (in.)	Life (hrs.)	UPC	Pack
5, 7, 9 Watt Replacement														
S18400	4.5W/LED/CFL/827/G23/BP	4.5	120-277	PL	G23	FR	2700K	450	80	360°	6.54	50K	045923184000	50/10
S18401	4.5W/LED/CFL/830/G23/BP	4.5	120-277	PL	G23	FR	3000K	450	80	360°	6.54	50K	045923184017	50/10
S18402	4.5W/LED/CFL/835/G23/BP	4.5	120-277	PL	G23	FR	3500K	450	80	360°	6.54	50K	045923184024	50/10
S18403	4.5W/LED/CFL/840/G23/BP	4.5	120-277	PL	G23	FR	4000K	450	80	360°	6.54	50K	045923184031	50/10
S18404	4.5W/LED/CFL/850/G23/BP	4.5	120-277	PL	G23	FR	5000K	450	80	360°	6.54	50K	045923184048	50/10
13 Watt Replacement														
S28725	6W/LED/CFL/827/GX23/BP/G2	6	120-277	PL	GX23	FR	2700K	600	80	360°	7.09	50K	045923287251	50/10
S28726	6W/LED/CFL/830/GX23/BP/G2	6	120-277	PL	GX23	FR	3000K	600	80	360°	7.09	50K	045923287268	50/10
S28727	6W/LED/CFL/835/GX23/BP/G2	6	120-277	PL	GX23	FR	3500K	600	80	360°	7.09	50K	045923287275	50/10
S28728	6W/LED/CFL/840/GX23/BP/G2	6	120-277	PL	GX23	FR	4000K	600	80	360°	7.09	50K	045923287282	50/10
S28729	6W/LED/CFL/850/GX23/BP/G2	6	120-277	PL	GX23	FR	5000K	600	80	360°	7.09	50K	045923287299	50/10

Product sheet SA2685

LED/CFL DUAL MODE LAMPS (BALLAST BYPASS TYPE B/ BALLAST COMPATIBLE TYPE A)

Features:

- Direct replacements for 13Watt CFL GX23 base lamps in existing fixtures with or without ballasts.*
- Over 50% energy savings vs. standard
- Ballast compatible and ballast bypass in one lamp
- Instant-on full brightness / no flickering
- 120-277V in bypass mode
- Damp location
- Long life—50,000 hours
- c-UL-us Listed - Type A
- c-UL-us Classified - Type B
- 5 Year warranty



Item	Description	W	V	Bulb Shape	Base	Finish	CCT	Lm	CRI	Beam	MOL (in.)	Life (hrs.)	UPC	Pack
13 Watt Replacement														
S11550	5.5W/LED/CFL/827/2P/DUAL	5.5	120-277	PL	GX23	FR	2700K	500	80	120°	5.98	50K	045923115509	50/10
S11551	5.5W/LED/CFL/830/2P/DUAL	5.5	120-277	PL	GX23	FR	3000K	500	80	120°	5.98	50K	045923115516	50/10
S11552	5.5W/LED/CFL/835/2P/DUAL	5.5	120-277	PL	GX23	FR	3500K	500	80	120°	5.98	50K	045923115523	50/10
S11553	5.5W/LED/CFL/840/2P/DUAL	5.5	120-277	PL	GX23	FR	4000K	550	80	120°	5.98	50K	045923115530	50/10
S11554	5.5W/LED/CFL/850/2P/DUAL	5.5	120-277	PL	GX23	FR	5000K	550	80	120°	5.98	50K	045923115547	50/10

*Visit www.satco.com for an approved ballast list.

LED/CFL BALLAST BYPASS TYPE B REPLACEMENT LAMPS GU24 BASE, E26 BASE

Features:

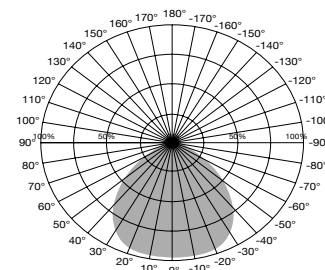
- GU24 Base and E26 Base are 13-18 Watt CFL and 60 Watt Incandescent direct replacements
- Instant on to full brightness / no flickering
- Rotates up to 270° for various fixture applications
- Vertical and horizontal options
- Up to 70% energy saving
- c-UL-us listed—GU24 base, E26 base
- Long life—50,000 hours
- 5 Year warranty



E26

GU24

Rotates 270° when installed



Beam Angle: 120°



Item	Description	W	V	Bulb Shape	Base	Finish	CCT	Lm	CRI	MOL (in.)	MOD (in.)	Life (hrs.)	UPC	Pack
GU24 Base														
S8745	8W/H/LED/CFL/827/GU24/120-277V	8	120-277	PL	GU24	FR	2700K	920	83	6.41	1.38	50K	045923087455	50/10
S8746	8W/H/LED/CFL/830/GU24/120-277V	8	120-277	PL	GU24	FR	3000K	920	83	6.41	1.38	50K	045923087462	50/10
S8747	8W/H/LED/CFL/835/GU24/120-277V	8	120-277	PL	GU24	FR	3500K	960	83	6.41	1.38	50K	045923087479	50/10
S8748	8W/H/LED/CFL/840/GU24/120-277V	8	120-277	PL	GU24	FR	4000K	960	83	6.41	1.38	50K	045923087486	50/10
S8749	8W/H/LED/CFL/850/GU24/120-277V	8	120-277	PL	GU24	FR	5000K	960	83	6.41	1.38	50K	045923087493	50/10
E26 Base														
S8755	8W/H/LED/CFL/827/E26/120-277V	8	120-277	PL	E26	FR	2700K	920	83	6.88	1.38	50K	045923087554	50/10
S8756	8W/H/LED/CFL/830/E26/120-277V	8	120-277	PL	E26	FR	3000K	920	83	6.88	1.38	50K	045923087561	50/10
S8757	8W/H/LED/CFL/835/E26/120-277V	8	120-277	PL	E26	FR	3500K	960	83	6.88	1.38	50K	045923087578	50/10
S8758	8W/H/LED/CFL/840/E26/120-277V	8	120-277	PL	E26	FR	4000K	960	83	6.88	1.38	50K	045923087585	50/10
S8759	8W/H/LED/CFL/850/E26/120-277V	8	120-277	PL	E26	FR	5000K	960	83	6.88	1.38	50K	045923087592	50/10

Product sheet SA2119

LED/CFL TYPE A DIRECT REPLACEMENT LAMPS

4-PIN (ELECTRONIC BALLASTS)

2-PIN (MAGNETIC BALLASTS)

Features:

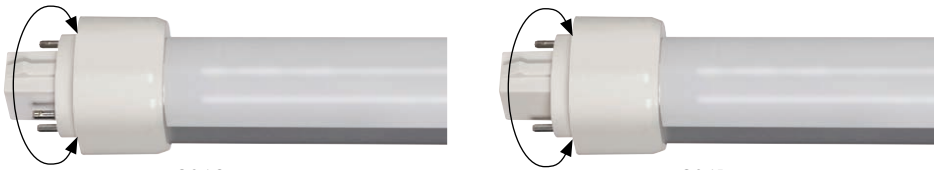
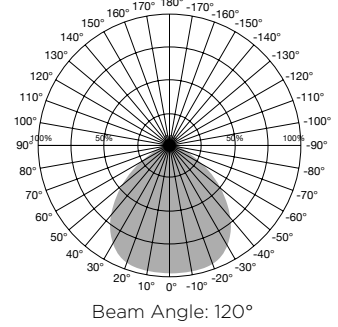
- 4-pin 26, 32, 42 Watt direct replacement
- 2-pin 26 Watt direct replacement
- 4-pin lamps fit G24q-3 & GX24q-3 and GX24q-4 sockets
- 2-pin lamps fit G24d-3 sockets
- No re-wiring needed
- Instant on to full brightness / no flickering
- Vertical and horizontal options
- Up to 70% energy saving
- DLC listed♦ (4-pin only)
- c-UL-us listed
- Long life—50,000 hours
- 5 Year warranty



G24Q

G24D

For vertical applications



G24Q

G24D

Rotates 270° when installed
For horizontal applications



Item	Description	W	Base	Finish	CCT	Lm	CRI	Beam	MOL (in)	Life (hrs.)	UPC	Pack
4-Pin Horizontal												
S29850♦	9WPLH/LED/830/DR/4P	9	G24q	FR	3000K	1050	82	120°	6.63	50K	045923298509	50/10
S29851♦	9WPLH/LED/835/DR/4P	9	G24q	FR	3500K	1050	82	120°	6.63	50K	045923298516	50/10
S29852♦	9WPLH/LED/840/DR/4P	9	G24q	FR	4000K	1100	82	120°	6.63	50K	045923298523	50/10
S29853♦	9WPLH/LED/850/DR/4P	9	G24q	FR	5000K	1100	82	120°	6.63	50K	045923298530	50/10
2-Pin Horizontal												
S9854	9WPLH/LED/830/DR/2P	9	G24d	FR	3000K	850	82	120°	6.63	50K	045923098543	50/10
S9855	9WPLH/LED/835/DR/2P	9	G24d	FR	3500K	850	82	120°	6.63	50K	045923098550	50/10
S9856	9WPLH/LED/840/DR/2P	9	G24d	FR	4000K	900	82	120°	6.63	50K	045923098567	50/10
S9857	9WPLH/LED/850/DR/2P	9	G24d	FR	5000K	900	82	120°	6.63	50K	045923098574	50/10
4-Pin Vertical												
S29858♦	9WPLV/LED/830/DR/4P	9	G24q	FR	3000K	1050	82	120°	4.69	50K	045923298585	50/10
S29859♦	9WPLV/LED/835/DR/4P	9	G24q	FR	3500K	1050	82	120°	4.69	50K	045923298592	50/10
S29860♦	9WPLV/LED/840/DR/4P	9	G24q	FR	4000K	1100	82	120°	4.69	50K	045923298608	50/10
S29861♦	9WPLV/LED/850/DR/4P	9	G24q	FR	5000K	1100	82	120°	4.69	50K	045923298615	50/10
2-Pin Vertical												
S9862	9WPLV/LED/830/DR/2P	9	G24d	FR	3000K	850	82	120°	4.69	50K	045923098628	50/10
S9863	9WPLV/LED/835/DR/2P	9	G24d	FR	3500K	850	82	120°	4.69	50K	045923098635	50/10
S9864	9WPLV/LED/840/DR/2P	9	G24d	FR	4000K	900	82	120°	4.69	50K	045923098642	50/10
S9865	9WPLV/LED/850/DR/2P	9	G24d	FR	5000K	900	82	120°	4.69	50K	045923098659	50/10

Product sheet SA1979

PL/LED BALLAST BYPASS TYPE B REPLACEMENT LAMPS

Features:

- UL Classified
- 2-pin replacement for up to 26 Watt pin based CFL, uses only 9 Watts
- 2-pin LED lamps works in both 2-pin (magnetic) and 4-pin (electronic) sockets
- G24d (2-pin)—18 and 26W rep.
- G24q (4-pin)—13, 18, and 26 rep.
- Direct wire 120-277V
- Instant on to full brightness / no flickering
- Rotates up to 270° for various fixture applications
- Vertical and horizontal options
- Up to 70% energy saving
- Damp location
- Long life—50,000 hours
- 5 Year warranty

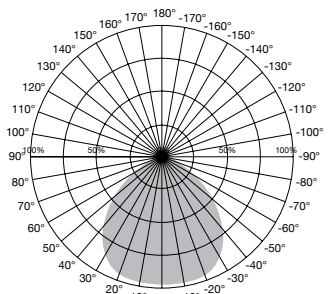
For vertical applications



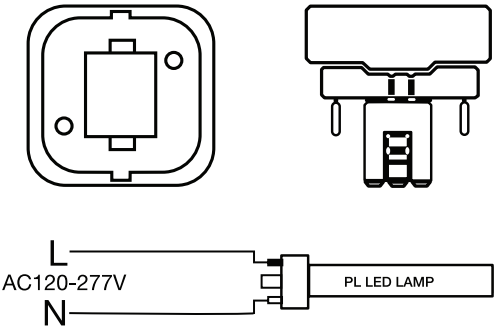
Rotates 270° when installed



For horizontal applications



Beam Angle: 120°



Item	Description	W	V	Bulb Shape	Base	Finish	CCT	Lm	CRI	Beam	MOL (in.)	Life (hrs.)	UPC	Pack
Horizontal														
S8530	9WPLH/LED/827/BP/2P	9	120-277	PL	G24d	FR	2700K	900	82	120°	6.63	50K	045923085307	50/10
S8531	9WPLH/LED/830/BP/2P	9	120-277	PL	G24d	FR	3000K	950	82	120°	6.63	50K	045923085314	50/10
S8532	9WPLH/LED/835/BP/2P	9	120-277	PL	G24d	FR	3500K	950	82	120°	6.63	50K	045923085321	50/10
S8533	9WPLH/LED/840/BP/2P	9	120-277	PL	G24d	FR	4000K	1000	82	120°	6.63	50K	045923085338	50/10
S8534	9WPLH/LED/850/BP/2P	9	120-277	PL	G24d	FR	5000K	1000	82	120°	6.63	50K	045923085345	50/10
Vertical														
S8535	9WPLV/LED/827/BP/2P	9	120-277	PL	G24d	FR	2700K	900	82	120°	4.69	50K	045923085352	50/10
S8536	9WPLV/LED/830/BP/2P	9	120-277	PL	G24d	FR	3000K	950	82	120°	4.69	50K	045923085369	50/10
S8537	9WPLV/LED/835/BP/2P	9	120-277	PL	G24d	FR	3500K	950	82	120°	4.69	50K	045923085376	50/10
S8538	9WPLV/LED/840/BP/2P	9	120-277	PL	G24d	FR	4000K	1000	82	120°	4.69	50K	045923085383	50/10
S8539	9WPLV/LED/850/BP/2P	9	120-277	PL	G24d	FR	5000K	1000	82	120°	4.69	50K	045923085390	50/10

Product sheet SA2328

LED DUAL POSITION PL LAMPS CCT SELECTABLE



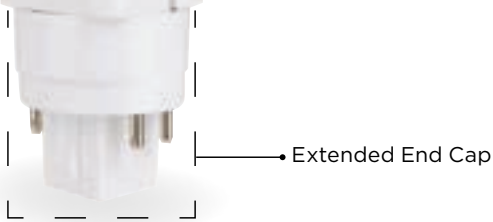
90° Rotatable Head

Rotatable Base

- WARM WHITE - 2700K
- SOFT WHITE - 3000K
- NEUTRAL WHITE - 3500K
- COOL WHITE - 4000K
- NATURAL LIGHT - 5000K

Features:

- 90° Rotatable and lockable head and end-cap
- Extendable base for horizontal applications
- 26W & 42W CFL Replacements
- Dual Mode: Type A + B
- 5 CCT Selectable



Extended End Cap



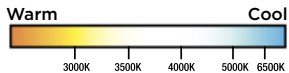
Item	Description	Lumens	W	CFL Replacement Wattage	MOL (in.)	MOD (in.)	Base	UPC	Pack
S21410	9PL/LED/HV/5CCT/A B/G24Q	1,100	9W	26W CFL	6.76	2.36	G24q (4-pin)	045923211478	50/10
S21411	9PL/LED/HV/5CCT/A B/G24D	1,100	9W	26W CFL	6.76	2.36	G24d (2-pin)	045923211485	50/10
S21412	16PL/LED/HV/5CCT/A B/G24Q	1,850	16W	42W CFL	6.76	2.36	G24q (4-pin)	045923211645	50/10

Product sheet SA2685

LED PL LAMPS HIGH LUMEN | CCT SELECTABLE



ColorQuick®
Selectable Color Technology



Features:

- | 5 CCT Selectable
- | High lumen output
- | 300° beam angle
- | Rated for extreme temperatures



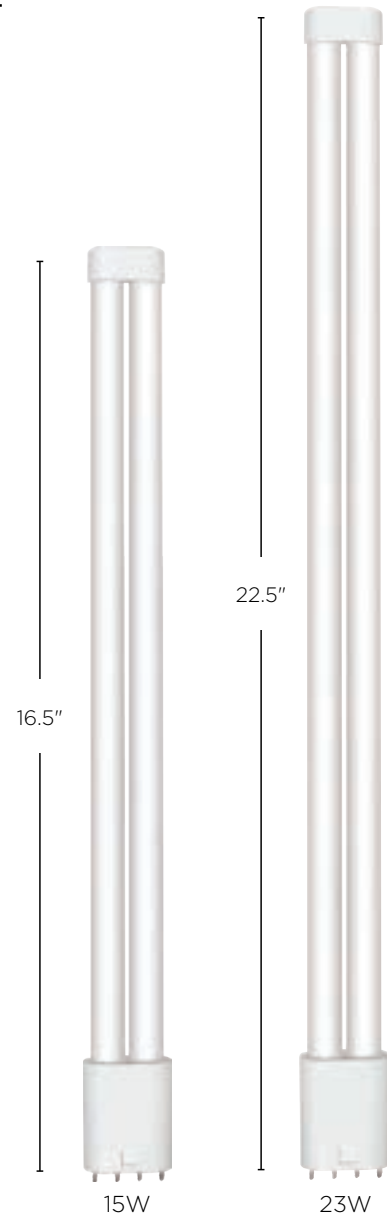
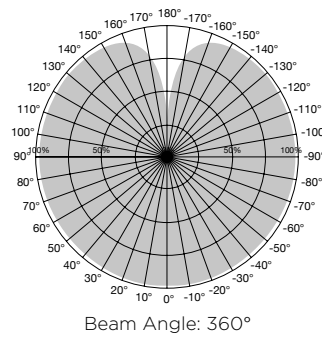
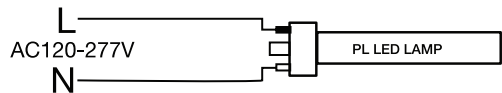
Item	Description	Max. Lumens	W	Fluorescent Replacement Wattage	CCT	Input Current @ 120V/277V	UPC	Pack
S21413	14W/PL/LED/HL/5CCT/G24	1,820	14W	26W	3000K/3500K/4000K/5000K/6500K	0.12/0.05A	045923211478	24
S21414	18W/PL/LED/HL/5CCT/G24	2,340	18W	32W	3000K/3500K/4000K/5000K/6500K	0.15/0.07A	045923211485	24
S21415	22W/PL/LED/HL/5CCT/G24	2,860	22W	42W	3000K/3500K/4000K/5000K/6500K	0.18/0.08A	045923211645	24

Product sheet SA3023

2G11 PLL 36W & 40W TYPE B BALLAST BYPASS REPLACEMENT FOR 4-PIN PL-L

Features:

- Direct wire 120-277V
- All glass tube
- Over 40% energy savings
- Instant on to full brightness/no flickering
- c-UL-us classified
- Long life—50,000 hours
- 5 Year warranty



Item	Description	W	V	Bulb Shape	Base	Finish	CCT	Lm	CRI	Beam	MOL (in.)	Life (hrs.)	UPC	Pack
15W Replaces 36W PLL														
S9952	15PLL/LED/835/BP	15	120-277	T5	2G11	FR	3500K	1900	80	360°	16.50	50K	045923099526	10
S9953	15PLL/LED/840/BP	15	120-277	T5	2G11	FR	4000K	2000	80	360°	16.50	50K	045923099533	10
23W Replaces 40W PLL														
S9950◆	23PLL/LED/835/BP	23	120-277	T5	2G11	FR	3500K	2800	82	360°	22.50	50K	045923099502	10
S9951◆	23PLL/LED/840/BP	23	120-277	T5	2G11	FR	4000K	2800	82	360°	22.50	50K	045923099519	10

Product sheet SA2194

CCT SELECTABLE T8 TYPE A



Features:

- 3 - CCT selectable
- 3000K, 3500K, 4000K
- 4000K, 5000K, 6500K

Retail
2-packs
available

- Ballast bypass replaces 4' T8 & T12
- Ballast compatible replaces T8 on electronic IS & RS Ballasts
- Single sleeve or Retail-Ready 2-Pack
- All glass tube
- 50,000 Hours
- 5 Year warranty



Item	Description	W	V	Base	Finish	CCT	Lm	CRI	Beam	MOL (in.)	Life (hrs.)	UPC	Pack
Direct Replacement - Ballast Compatible													
S11918	10T8/LED/48/CCT-SEL/DR/2PK	10	---	G13	WH	4000K/5000K/6500K	1800	83	220°	48	50K	045923119187	10-2
S11928	10T8/LED/48/840-850-865/DR	10	---	G13	WH	4000K/5000K/6500K	1800	83	220°	48	50K	045923119286	25
S11968	10T8/LED/48/830-835-840/DR	10	---	G13	WH	3000K/3500K/4000K	1800	83	220°	48	50K	045923119682	25

Product sheet SA2845

T8 LED 2', 3', & 4' TYPE A LAMPS - BALLAST COMPATIBLE



Features:

- High efficiency - up to 163 LPW
- Plug and play replacement*
- All glass tubes: no aging, yellowing or bending
- Integrated thermal fuse at pins
- DLC 5.1
- Operating Temperature Range: -20°C(-4°F) to a maximum of +45°C(+113°F)
- Long life—50,000 hours
- Compatible with most instant start, rapid start T8 electronic ballasts and some emergency and dimming ballasts*
- Approved for use with tube guards when operated on Low or Normal ballast factor systems

*May not be compatible with all IS, RS, DM and EM ballasts. Visit www.satco.com for an approved list.

T8 LED 2', 3', & 4' TYPE A LAMPS - BALLAST COMPATIBLE



Size	WATTAGE	A		B		C		D	
		Min (inch)	Max (inch)	Min (inch)	Max (inch)	Min (inch)	Max (inch)	Min (inch)	Max (inch)
2 Foot	8W	—	23.21	23.40	23.50	23.67	23.78	0.98	1.02
3 Foot	10W	—	35.22	35.40	35.50	35.67	35.78	0.98	1.02
4 Foot	9.5W/11W/14W	—	47.22	47.40	47.50	47.67	47.78	0.98	1.02



Item	Description	W	Base	Finish	CCT	Lm	CRI	Beam	MOL (in)	Nominal (in)	Life (hrs.)	UPC	Pack
2' LED 8W T8													
S49946	8T8/LED/24-830/DR	8	G13	WH	3000K	1250	82	210°	23.78	24.00	50K	045923499463	25
S49947	8T8/LED/24-835/DR	8	G13	WH	3500K	1250	82	210°	23.78	24.00	50K	045923499470	25
S49948	8T8/LED/24-840/DR	8	G13	WH	4000K	1250	82	210°	23.78	24.00	50K	045923499487	25
S49949	8T8/LED/24-850/DR	8	G13	WH	5000K	1250	82	210°	23.78	24.00	50K	045923499494	25
3' LED 10W T8													
S49990	10T8/LED/36-830/DR	10	G13	WH	3000K	1450	82	210°	35.78	36.00	50K	045923499906	25
S49991	10T8/LED/36-835/DR	10	G13	WH	3500K	1450	82	210°	35.78	36.00	50K	045923499913	25
S49992	10T8/LED/36-840/DR	10	G13	WH	4000K	1450	82	210°	35.78	36.00	50K	045923499920	25
S49993	10T8/LED/36-850/DR	10	G13	WH	5000K	1450	82	210°	35.78	36.00	50K	045923499937	25
4' LED 9.5W T8													
S11740	9.5/T8/LED/48-830/DR	9.5	G13	WH	3000K	1740	82	210°	47.78	48.00	50K	045923117404	25
S11741	9.5/T8/LED/48-835/DR	9.5	G13	WH	3500K	1740	82	210°	47.78	48.00	50K	045923117411	25
S11742	9.5/T8/LED/48-840/DR	9.5	G13	WH	4000K	1740	82	210°	47.78	48.00	50K	045923117428	25
S11743	9.5/T8/LED/48-850/DR	9.5	G13	WH	5000K	1740	82	210°	47.78	48.00	50K	045923117435	25
4' LED 11W T8													
S49934	11/T8/LED/48-830/DR	11	G13	WH	3000K	1800	82	210°	47.78	48.00	50K	045923499340	25
S49935	11/T8/LED/48-835/DR	11	G13	WH	3500K	1800	82	210°	47.78	48.00	50K	045923499357	25
S49936	11/T8/LED/48-840/DR	11	G13	WH	4000K	1800	82	210°	47.78	48.00	50K	045923499364	25
S49937	11/T8/LED/48-850/DR	11	G13	WH	5000K	1800	82	210°	47.78	48.00	50K	045923499371	25
4' LED 14W T8													
S49975	14/T8/LED/48-830/DR	14	G13	WH	3000K	2200	82	210°	47.78	48.00	50K	045923499753	25
S49976	14/T8/LED/48-835/DR	14	G13	WH	3500K	2200	82	210°	47.78	48.00	50K	045923499760	25
S49977	14/T8/LED/48-840/DR	14	G13	WH	4000K	2200	82	210°	47.78	48.00	50K	045923499777	25
S49978	14/T8/LED/48-850/DR	14	G13	WH	5000K	2200	82	210°	47.78	48.00	50K	045923499784	25

Product sheet SA2756

LED T8 LINEAR LAMPS BALLAST BYPASS - CCT SELECTABLE



Features:

- CCT Selectable -
3000K/3500K/4000K
5000K/6500K
- Direct replacement for
fluorescent T8 lamps
- Ballast bypass installation
- Single or double-ended wiring*
- 5 year warranty



ColorQuick™

Selectable Color Technology

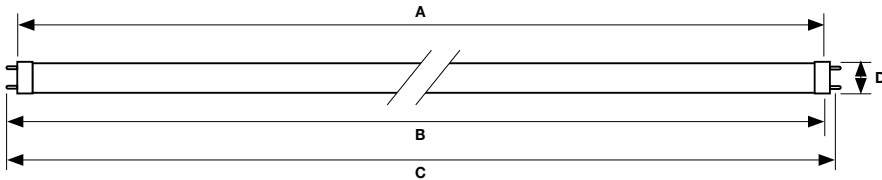
Switch to/from the following CCT



LED T8 LINEAR LAMPS BALLAST BYPASS - CCT SELECTABLE



Dimensions



	A	B	C	D
Size	Length (in.)	Length (in.)	Length (in.)	Length (in.)
2 Foot	23.21	23.50	23.78	1.02
3 Foot	35.22	35.50	35.78	1.02
4 Foot	47.22	47.50	47.78	1.02

LED T8 - Ballast Bypass



Item	Description	Lm	W	V	CCT	UPC	Pk
2' LED T8							
S11764	9T8/LED/24-5CCT/BP/SE-DE	1150/1150/1250/1250/1250	9	120-277	3000/3500/4000K/4500/5000K/6500K	045923117640	25
3' LED T8							
S11765	2T8/LED/36-5CCT/BP/SE-DE	1350/1350/1450/1450/1450	12	120-277	3000/3500/4000K/4500/5000K/6500K	045923117657	25
4' LED T8							
S11766	14T8/LED/48-5CCT/BP/SE-DE	1700/1700/1800/1800/1800	14	120-277	3000/3500/4000K/4500/5000K/6500K	045923117664	25
S11767	17T8/LED/48-5CCT/BP/SE-DE	2100/2100/2200/2200/2200	17	120-277	3000/3500/4000K/4500/5000K/6500K	045923117671	25

DLC primary use: Internal Driver/Line Voltage (UL Type B) Lamps

*Single-ended wiring requires non-shunted sockets.

Specifications are subject to change without prior notice.

Product sheet SA2976

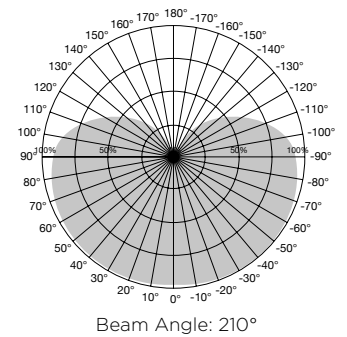
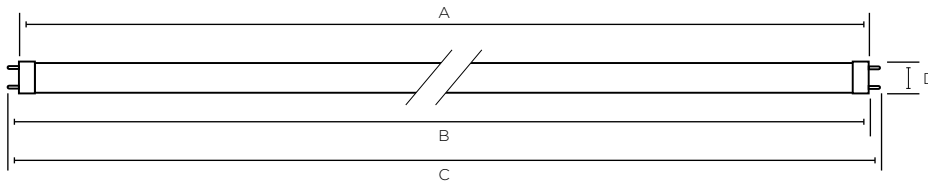
T8 LED 2', 3', & 4' TYPE B LAMPS - BALLAST BYPASS



Features:

- Single or double ending wiring*
- Installation protection**
- All-glass tube
- Direct wire 120-277 line voltage
- Damp location
- DLC Listed
- Long life—50,000 Hours

T8 LED 2', 3', & 4' TYPE B LAMPS - BALLAST BYPASS



Dimensions

Size	WATTAGE	A Length (in.)	B Length (in.)	C Length (in.)	D Length (in.)
2 Foot	9W	23.21	23.50	23.78	1.02
3 Foot	12W	35.22	35.50	35.78	1.02
4 Foot	10.5W/14W/17W	47.22	47.50	47.78	1.02



Item	Description	W	V	Bulb Shape	Base	Finish	CCT	Lm	CRI	Beam	MOL (in.)	Nominal (in.)	Life (hrs.)	UPC	Pack
2' LED T8															
S39900	9T8/LED/24-830/BP/SE-DE	9	120-277	T8	G13	WH	3000K	1100	82	210°	24.00	23.78	50K	045923399008	25
S39901	9T8/LED/24-835/BP/SE-DE	9	120-277	T8	G13	WH	3500K	1100	82	210°	24.00	23.78	50K	045923399015	25
S39902	9T8/LED/24-840/BP/SE-DE	9	120-277	T8	G13	WH	4000K	1150	82	210°	24.00	23.78	50K	045923399022	25
S39903	9T8/LED/24-850/BP/SE-DE	9	120-277	T8	G13	WH	5000K	1150	82	210°	24.00	23.78	50K	045923399039	25
3' LED T8															
S39926	12T8/LED/36-830/BP/SE-DE	12	120-277	T8	G13	WH	3000K	1400	82	210°	35.78	36.00	50K	045923399268	25
S39927	12T8/LED/36-835/BP/SE-DE	12	120-277	T8	G13	WH	3500K	1400	82	210°	35.78	36.00	50K	045923399275	25
S39928	12T8/LED/36-840/BP/SE-DE	12	120-277	T8	G13	WH	4000K	1450	82	210°	35.78	36.00	50K	045923399282	25
S39929	12T8/LED/36-850/BP/SE-DE	12	120-277	T8	G13	WH	5000K	1450	82	210°	35.78	36.00	50K	045923399299	25
4' LED T8															
S11960	10.5T8/LED/48-830/BP/SE-DE	10.5	120-277	T8	G13	WH	3000K	1700	82	210°	47.78	48.00	50K	045923119606	25
S11961	10.5T8/LED/48-835/BP/SE-DE	10.5	120-277	T8	G13	WH	3500K	1700	82	210°	47.78	48.00	50K	045923119613	25
S11962	10.5T8/LED/48-840/BP/SE-DE	10.5	120-277	T8	G13	WH	4000K	1700	82	210°	47.78	48.00	50K	045923119620	25
S11963	10.5T8/LED/48-850/BP/SE-DE	10.5	120-277	T8	G13	WH	5000K	1700	82	210°	47.78	48.00	50K	045923119637	25
S39913	14T8/LED/48-830/BP/SE-DE	14	120-277	T8	G13	WH	3000K	1700	82	210°	47.78	48.00	50K	045923399138	25
S39914	14T8/LED/48-835/BP/SE-DE	14	120-277	T8	G13	WH	3500K	1700	82	210°	47.78	48.00	50K	045923399145	25
S39915	14T8/LED/48-840/BP/SE-DE	14	120-277	T8	G13	WH	4000K	1800	82	210°	47.78	48.00	50K	045923399152	25
S39916	14T8/LED/48-850/BP/SE-DE	14	120-277	T8	G13	WH	5000K	1800	82	210°	47.78	48.00	50K	045923399169	25
S21924	14T8/LED/48-865/BP/SE-DE	14	120-277	T8	G13	WH	6500K	1800	82	210°	47.78	48.00	50K	045923219245	25
S39904	17T8/LED/48-830/BP/SE-DE	17	120-277	T8	G13	WH	3000K	2100	82	210°	47.78	48.00	50K	045923399046	25
S39905	17T8/LED/48-835/BP/SE-DE	17	120-277	T8	G13	WH	3500K	2100	82	210°	47.78	48.00	50K	045923399053	25
S39906	17T8/LED/48-840/BP/SE-DE	17	120-277	T8	G13	WH	4000K	2200	82	210°	47.78	48.00	50K	045923399060	25
S39907	17T8/LED/48-850/BP/SE-DE	17	120-277	T8	G13	WH	5000K	2200	82	210°	47.78	48.00	50K	045923399077	25

*Single ended wiring requires non-shunted sockets.

**Protection against improper installation. Lamps will not light if the ballast has not been bypassed.

Product sheet SA2420

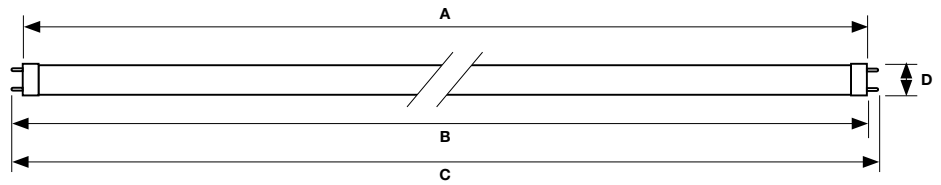
4' LED T8 347V BALLAST BYPASS LAMPS



Features:

- Double ended wiring
- All glass tube
- Direct wire 347 line voltage
- Damp location
- DLC Listed
- Long Life-50,000 hours

4' LED T8 347V BALLAST BYPASS LAMPS



Dimensions

Size	WATTAGE	A Length (in.)	B Length (in.)	C Length (in.)	D Length (in.)
0.8005 in	14W/17W	47.22	47.50	47.78	1.02

347V LED T8 - Ballast Bypass



Item	Description	W	V	CRI	Base Type	Beam	CCT	Lm	M.O.L. (in.)	Life/Hrs.	UPC	Pack
S11744	14T8/LED/48-840/BP/DE/347V	14	347	82	G13	210	4000K	1800	48	50K	045923117442	25
S11745	14T8/LED/48-850/BP/DE/347V	14	347	82	G13	210	5000K	1800	48	50K	045923117459	25
S11746	17T8/LED/48-840/BP/DE/347V	17	347	82	G13	210	4000K	2200	48	50K	045923117466	25
S11747	17T8/LED/48-850/BP/DE/347V	17	347	82	G13	210	5000K	2200	48	50K	045923117473	25

*Protection against improper installation. Lamps will not light if the ballast has not been bypassed.

Product sheet SA2882

LED T8 4' BALLAST BYPASS LAMPS PLASTIC TUBES



Features:

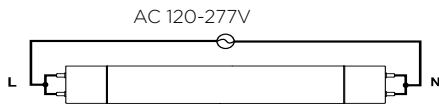
- No ballast or external driver required — single or double ended wiring
- Installation protection — will not light if ballast is not bypassed
- High lumen output
- Direct wire 120-277V line voltage
- Plastic safety tube
- Shatterproof
- Long life: 70,000 hours
- c-UL-us Classified
- ETL Sanitation listed (conforms to NSF)
- DLC Listed
- 5 Year warranty

LED T8 4' BALLAST BYPASS LAMPS PLASTIC TUBES

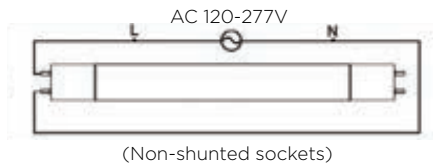


TWO INSTALLATION OPTIONS:

1. Double Ended Wiring



2. Single Ended Wiring



Plastic Tube - T8



Item	Description	W	V	Bulb Shape	Base	Finish	CCT	Lm	CRI	Beam	MOL (in.)	Nominal (in.)	Life (hrs.)	UPC	Pack
S11978	10.5T8/LED/48-840/BP/ SE-DE/PC	10.5	120-277	T8	G13	WH	4000K	1650	83	180°	47.78	48.00	70K	045923119781	25

Product sheet SA2970

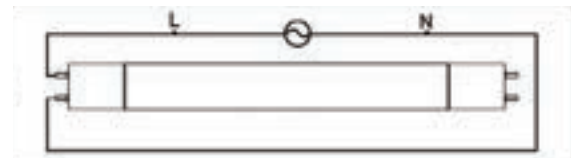
DIMMABLE 13.5W 4' LINEAR LED T8 BALLAST BYPASS TYPE B LAMPS

Features:

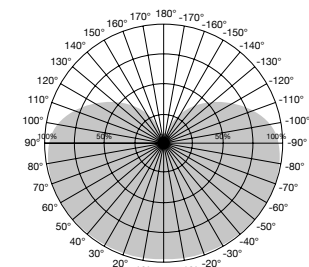
- No ballast or external driver required
- Direct wire 120V line voltage
- All glass tube
- Dimmable*
- Damp location
- Long life: 50,000 hours
- c-UL-us Classified
- DLC Listed
- NSF Certified
- 5 Year warranty



Single Ended Wiring*



(Non-shunted sockets)



Beam Angle: 220°



Item	Description	W	V	Bulb Shape	Base	Finish	CCT	Lm	CRI	Beam	MOL (in.)	Nominal (in.)	Life (hrs.)	UPC	Pack
S11920	13.5T8/LED/48-830/DIM-BP	13.5	120	T8	G13	WH	3000K	1700	82	220°	47.78	48.00	50K	045923119200	25
S11921	13.5T8/LED/48-835/DIM-BP	13.5	120	T8	G13	WH	3500K	1700	82	220°	47.78	48.00	50K	045923119217	25
S11922	13.5T8/LED/48-840/DIM-BP	13.5	120	T8	G13	WH	4000K	1800	82	220°	47.78	48.00	50K	045923119224	25
S11923	13.5T8/LED/48-850/DIM-BP	13.5	120	T8	G13	WH	5000K	1800	82	220°	47.78	48.00	50K	045923119231	25

*Visit satco.com for compatible dimmers.

PREMIUM LED T8 BALLAST BYPASS TYPE B, 4' TRUE FLICKER-FREE LAMPS

Features:

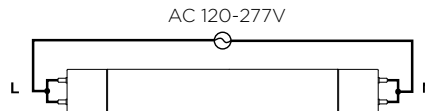
- No ballast or external driver required
- Flicker free – Less than 2%
- Installation protection – will not light if ballast is not bypassed
- Lower wattage option
- High lumen – up to 2600
- Direct wire 120-277V line voltage*

- All glass tube
- PET Coated – shatterproof
- Long life: 50,000 hours
- c-UL-us Classified
- ETL Sanitation listed (conforms to NSF)
- DLC Listed
- 5 Year warranty

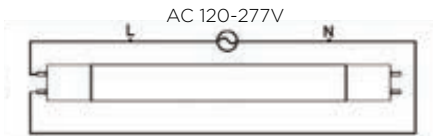


TWO INSTALLATION OPTIONS

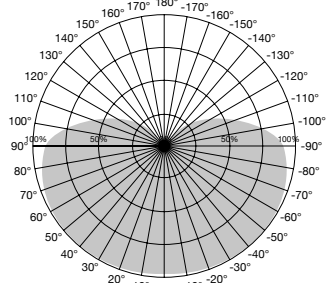
1. Double Ended Wiring



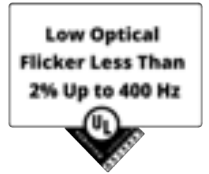
2. Single Ended Wiring



(Non-shunted sockets)



Beam Angle: 190°



Item	Description	W	V	Bulb Shape	Base	Finish	CCT	Lm	CRI	Beam	MOL (in.)	Nominal (in.)	Life (hrs.)	UPC	Pack
S11910	11.5T8/LED/48-830/BP 120-277V	11.5	120-277	T8	G13	WH	3000K	1650	80	180°	47.78	48.00	50K	045923119101	25
S11911	11.5T8/LED/48-835/BP 120-277V	11.5	120-277	T8	G13	WH	3500K	1650	80	180°	47.78	48.00	50K	045923119118	25
S11912	11.5T8/LED/48-840/BP 120-277V	11.5	120-277	T8	G13	WH	4000K	1750	80	180°	47.78	48.00	50K	045923119125	25
S11913	11.5T8/LED/48-850/BP 120-277V	11.5	120-277	T8	G13	WH	5000K	1800	80	180°	47.78	48.00	50K	045923119132	25
S11914	18.5T8/LED/48-830/BP 120-277V	18.5	120-277	T8	G13	WH	3000K	2400	80	180°	47.78	48.00	50K	045923119149	25
S11915	18.5T8/LED/48-835/BP 120-277V	18.5	120-277	T8	G13	WH	3500K	2400	80	180°	47.78	48.00	50K	045923119156	25
S11916	18.5T8/LED/48-840/BP 120-277V	18.5	120-277	T8	G13	WH	4000K	2500	80	180°	47.78	48.00	50K	045923119163	25
S11917	18.5T8/LED/48-850/BP 120-277V	18.5	120-277	T8	G13	WH	5000K	2600	80	180°	47.78	48.00	50K	045923119170	25

Product sheet SA2527

5' & 6' BALLAST BYPASS - TYPE B REPLACEMENTS FOR MED. BI-PIN LINEAR T8 LAMPS



Features:

- No ballast required
- Increased efficiency
- Single ended wiring/ non-shunted sockets
- 60" and 70" Lengths
- All glass tube
- Damp Location
- ETL Sanitation listed (conforms to NSF)
- Long Life—50,000 Hours

Applications:

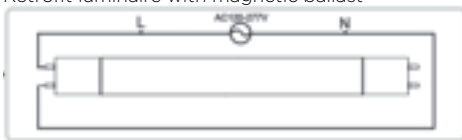
- Designed for cold temperature applications

5' & 6' BALLAST BYPASS - TYPE B REPLACEMENTS FOR MED. BI-PIN LINEAR T8 LAMPS



Wiring Diagram

Retrofit luminaire with magnetic ballast



Wiring harnesses available including non-shunted sockets, sold separately

Item	Description
80-2626	1 LT BALLAST BYPASS WIRING HARNESS
80-2627	2 LT BALLAST BYPASS WIRING HARNESS
80-2628	3 LT BALLAST BYPASS WIRING HARNESS
80-2629	4 LT BALLAST BYPASS WIRING HARNESS



Item	Description	W	V	Bulb Shape	Base	Finish	CCT	Lm	CRI	Beam	MOL (in.)	Nominal (in.)	Life (hrs.)	UPC	Pack
S11953	22T8/LED/60-840/BP	22	120-277	T8	G13	WH	4000K	2800	83	160°	60.00	60.00	50K	045923119538	10
S11954	22T8/LED/60-850/BP	22	120-277	T8	G13	WH	5000K	2800	83	160°	60.00	60.00	50K	045923119545	10
S11955	30T8/LED/70-840/BP	30	120-277	T8	G13	WH	4000K	4000	83	160°	70.00	70.00	50K	045923119552	10
S11956	30T8/LED/70-850/BP	30	120-277	T8	G13	WH	5000K	4000	83	160°	70.00	70.00	50K	045923119569	10

Product sheet SA2390

LED T8 LINEAR LAMPS DUAL MODE (TYPE A + B) CCT SELECTABLE



Features:

- CCT Selectable - 3500K/4000K/5000K
- Direct replacement for fluorescent T8 lamps
- Ballast compatible or ballast bypass installation
- NSF Certified - P.E.T. coated shatter resistant glass tube
- Compatible with select emergency and dimming ballasts
- 5 Year Warranty



ColorQuick[™]
Selectable Color Technology

NEUTRAL WHITE - 3500K

COOL WHITE - 4000K

NATURAL LIGHT - 5000K

LED T8 LINEAR LAMPS DUAL MODE (TYPE A + B) CCT SELECTABLE

GENERAL SPECIFICATIONS:

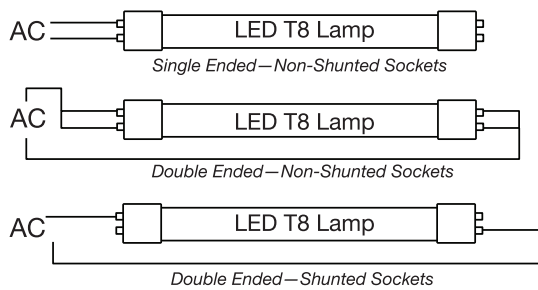
Input Voltage, Frequency:	120-277V, 50/60Hz
Power Factor, THD %:	0.9, <25%
Dimmable:	With select ballasts*
Efficacy:	Up to 162LPW
CRI:	83
Functional Life (L70):	50,000 hours
Beam Angle:	180°
Ballast Bypass/Compatible:	Dual Mode
Location Rating:	Damp
Ambient Operating Temperature:	-20°C (-4°F) to +45°C (+113°F)
Enclosed Fixture Rating:	Rated for enclosed fixtures
Construction:	P.E.T. coated frosted glass
Base:	Medium Bi-Pin
Pin Type:	G13



Wiring-Ballast Compatible

For rapid start ballasts on the approved list, non-shunted LED/fluorescent sockets are needed and wired according to manufacturer's wiring diagram.

Wiring Options-Ballast Bypass - 120-277V



Item	Description	Ballast Compatible Wattage	Ballast Bypass Wattage	Lm	Finish	MOL (in.)	CCT	UPC	Pack
S11760	10T8/LED/24-CCT/DM/BP-DR	9W	10W	1425/1450/1450	WH	24"	3500/4000/5000K	045923117602	25
S11761	12T8/LED/36-CCT/DM/BP-DR	11W	12W	1675/1700/1700	WH	36"	3500/4000/5000K	045923117619	25
S11762	13T8/LED/48-CCT/DM/BP/DR	12W	13W	1900/1950/1950	WH	48"	3500/4000/5000K	045293117626	25
S11763	15T8/LED/48-CCT/DM/BP-DR	14W	15W	2150/2200/2200	WH	48"	3500/4000/5000K	045923117633	25

DLC primary use: Dual Mode Internal Driver (UL Type A and Type B)

*May not be compatible with all dimmers. Please see Satco.com for an approved list. Specifications are subject to change without prior notice.

*Lamps are cULus Listed when ballast compatible. **Lamps are cULus Classified when ballast is bypassed.

Product sheet SA2975

PREMIUM LED T8 DUAL MODE (A + B) (BALLAST BYPASS TYPE B/ BALLAST COMPATIBLE TYPE A) LINEAR LAMPS



Features:

- Direct replacements for fluorescent T8 lamps in existing fixtures with or without ballasts.
- Over 40% energy savings vs. standard T8 systems
- Ballast compatible (12W) and ballast bypass (13W) in one lamp
- Bypass mode works in single or double ended wiring^{††}
- Protection from arcing^{***}
- All glass tube
- Compatible with emergency and dimming ballast[†]
- 120-277V in bypass mode
- Damp location
- PET coated
- NSF certified
- DLC 5.1 listed
- C-UL-us listed—ballast compatible
- c-UL-us Classified—ballast bypass
- Long life—50,000 hours
- 5 Year warranty

*** Power must be turned off prior to installing lamps. Sockets must be in good working order, not broken, cracked or electrically compromised. If arcing occurs at the lamp pin, thermal fuse may activate to avoid overheating of lamp.



Ballast Compatible[†]

Item	Description	W	Bulb Shape	Base	Finish	CCT	Lm	CRI	Beam	MOL (in.)	Nominal (in.)	Life (hrs.)	UPC	Pack
S8890	12T8/LED/48-830/DUAL/BP-DR	12	T8	G13	WH	3000K	1800	83	240°	47.78	48.00	50K	045923088902	25
S8891	12T8/LED/48-835/DUAL/BP-DR	12	T8	G13	WH	3500K	1800	83	240°	47.78	48.00	50K	045923088919	25
S8892	12T8/LED/48-840/DUAL/BP-DR	12	T8	G13	WH	4000K	1900	83	240°	47.78	48.00	50K	045923088926	25
S8893	12T8/LED/48-850/DUAL/BP-DR	12	T8	G13	WH	5000K	1900	83	240°	47.78	48.00	50K	045923088933	25

[†]May not be compatible with all instant start, rapid start, dimmable, and emergency ballasts. Visit www.satco.com for an approved list.

Product sheet SA2316



Ballast Bypass^{††}

Item	Description	W	V	Bulb Shape	Base	Finish	CCT	Lm	CRI	Beam	MOL (in.)	Nominal (in.)	Life (hrs.)	UPC	Pack
S8890	13T8/LED/48-830/DUAL/BP-DR	13	120-277	T8	G13	WH	3000K	1800	83	240°	47.78	48.00	50K	045923088902	25
S8891	13T8/LED/48-835/DUAL/BP-DR	13	120-277	T8	G13	WH	3500K	1800	83	240°	47.78	48.00	50K	045923088919	25
S8892	13T8/LED/48-840/DUAL/BP-DR	13	120-277	T8	G13	WH	4000K	1900	83	240°	47.78	48.00	50K	045923088926	25
S8893	13T8/LED/48-850/DUAL/BP-DR	13	120-277	T8	G13	WH	5000K	1900	83	240°	47.78	48.00	50K	045923088933	25

^{††}Bypass mode works wired as a single ended lamp on non-shunted sockets or as a double ended lamp on either shunted or non-shunted sockets.

Product sheet SA2316

LED DUAL MODE TYPE (A + B) T8 LINEAR LAMPS

Features:

- Ballast compatible and ballast bypass in one lamp
- Single or double-ended wiring in bypass mode
- Protection from arcing
- All glass tube
- Damp location
- Compatible with Satco S8000 & S8002 EM drivers in bypass mode



SINGLE-ENDED WIRING Using non-shunted lampholders only

Single Lamp



DOUBLE-ENDED WIRING Using shunted lampholders only

Shunted Lampholders - Single Lamp / 120-277V



TYPE A

Ballast Compatible - Type A



Item	Description	W	Bulb Type	Base	Finish	CCT	Lm	CRI	Beam	MOL (in.)	Life (hrs.)	UPC	Pack
S11974	12T8/48-830/DM/A-B	12	T8	G13	FR	3000K	1700	82	210°	48	50K	045923119743	25
S11975	12T8/48-835/DM/A-B	12	T8	G13	FR	3500K	1700	82	210°	48	50K	045923119750	25
S11976	12T8/48-840/DM/A-B	12	T8	G13	FR	4000K	1800	82	210°	48	50K	045923119767	25
S11977	12T8/48-850/DM/A-B	12	T8	G13	FR	5000K	1800	82	210°	48	50K	045923119774	25

TYPE B

Ballast Bypass - Type B



Item	Description	W	V	Bulb Type	Base	Finish	CCT	Lm	CRI	Beam	MOL (in.)	Life (hrs.)	UPC	Pack
S11974	12T8/48-830/DM/A-B	12	120-277	T8	G13	FR	3000K	1700	82	210°	48	50K	045923119743	25
S11975	12T8/48-835/DM/A-B	12	120-277	T8	G13	FR	3500K	1700	82	210°	48	50K	045923119750	25
S11976	12T8/48-840/DM/A-B	12	120-277	T8	G13	FR	4000K	1800	82	210°	48	50K	045923119767	25
S11977	12T8/48-850/DM/A-B	12	120-277	T8	G13	FR	5000K	1800	82	210°	48	50K	045923119774	25

Product sheet SA2818

LED T8 LAMPS
FA8 AND R17D BASE
CCT SELECTABLE



Features:

- Direct replacement for fluorescent T8 or 12 lamps
- Ballast bypass - UL Type B installation
- NSF Certified - P.E.T. coated, shatter resistant glass tube
- Compatible with S8002
- Emergency Driver
- 5 year warranty



ColorQuick

Selectable Color Technology

Switch to/from the following CCT

COOL WHITE - 4000K

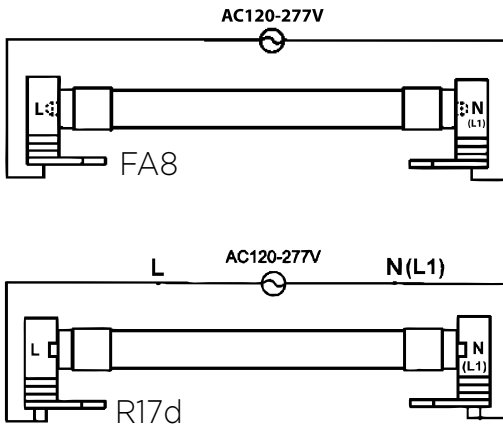
NATURAL LIGHT - 5000K

DAYLIGHT - 6500K

LED T8 LAMPS FA8 AND R17D BASE CCT SELECTABLE



WIRING DIAGRAM



Item	Description	Lm	W	V	Finish	CCT	Nominal Length	Beam Angle	UPC	Pack
FA8 Base										
S11750	14T8/LED/48-CCT/BP/FA8	1950/2000/1900	14	120-277	WH	4000/5000/6500K	4'	180°	045923117503	10
S11751	24T8/LED/72-CCT/BP/FA8	3300/3400/3200	24	120-277	WH	4000/5000/6500K	6'	180°	045923117510	10
S11752	38T8/LED/96-CCT/BP/FA8	5400/5500/5300	38	120-277	WH	4000/5000/6500K	8'	180°	045923117527	10
R17 Base										
S11753	18T8/LED/48-CCT/BP/R17D	2500/2600/2400	18	120-277	WH	4000/5000/6500K	4'	180°	045923117534	10
S11754	30T8/LED/72-CCT/BP/R17D	4200/4300/4100	30	120-277	WH	4000/5000/6500K	6'	180°	045923117541	10
S11755	38T8/LED/96-CCT/BP/R17D	5400/5500/5300	38	120-277	WH	4000/5000/6500K	8'	180°	04592397558	10

DLC Primary Use: Internal Driver/Line Voltage (UL Type B) Lamps

Product sheet SA2954

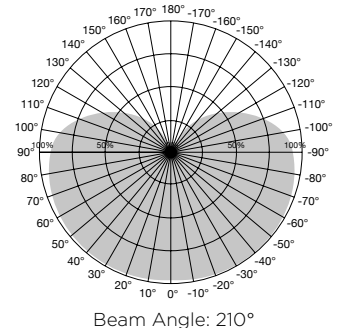
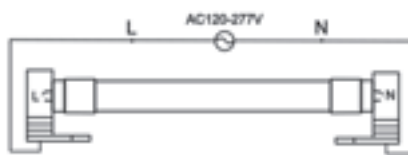
SLIMLINE 4', 6', 8' T8 BALLAST BYPASS TYPE B

Features:

- Double ended wiring
- Shatterproof coated
- Over 40% energy savings vs standard 8' T8 systems
- Slimline single pin base - replaces T8 & T12
- No ballast or external driver required
- Direct wire 120-277V line voltage
- All glass tube
- Damp location
- NSF certified
- c-UL-us Classified
- Long life—50,000 hours
- 5 Year warranty



Wiring Diagram



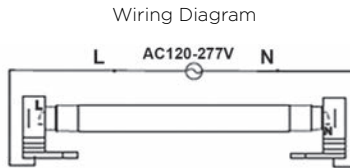
Item	Description	W	V	Bulb Shape	Base	Finish	CCT	Lm	CRI	Beam	MOL (in.)	Nominal (in.)	Life (hrs.)	UPC	Pack
S11926	14T8/LED/48-840/BP/FA8	14	120-277	T8	FA8	WH	4000K	1900	82	210°	46.00	48.00	50K	045923119262	25
S11927	24T8/LED/72-840/BP/FA8	24	120-277	T8	FA8	WH	4000K	3200	82	210°	70.00	72.00	50K	045923119279	10
S11957◆	24T8/LED/96-835/BP/FA8	24	120-277	T8	FA8	WH	3500K	3200	82	210°	94.00	96.00	50K	045923119576	10
S11958◆	24T8/LED/96-840/BP/FA8	24	120-277	T8	FA8	WH	4000K	3500	82	210°	94.00	96.00	50K	045923119583	10
S11959◆	24T8/LED/96-850/BP/FA8	24	120-277	T8	FA8	WH	5000K	3500	82	210°	94.00	96.00	50K	045923119590	10
S29917◆	40T8/LED/96-835/BP/FA8	40	120-277	T8	FA8	WH	3500K	5300	82	210°	94.00	96.00	50K	045923299179	10
S29918◆	40T8/LED/96-840/BP/FA8	40	120-277	T8	FA8	WH	4000K	5500	82	210°	94.00	96.00	50K	045923299186	10
S29919◆	40T8/LED/96-850/BP/FA8	40	120-277	T8	FA8	WH	5000K	5500	82	210°	94.00	96.00	50K	045923299193	10
S21925	40T8/LED/96-865/BP/FA8	40	120-277	T8	FA8	WH	6500K	5500	82	210°	94.00	96.00	50K	045923219252	10

Product sheet SA2683

R17D LINEAR LED BALLAST BYPASS 4', 6' & 8' TYPE B T8

Features:

- Double ended wiring
- Shatterproof coated
- Over 40% energy savings vs standard 8' T8 systems
- R17d base designed to replace T8 HO and T12 HO
- Fluorescent lamps
- No ballast or external driver required
- Direct wire 120-277V line voltage
- All glass tube
- Damp location
- NSF certified
- c-UL-us Classified
- Long life—50,000 hours
- 5 Year warranty



Item	Description	W	V	Bulb Shape	Base	Finish	CCT	Lm	CRI	Beam	MOL (in.)	Nominal (in.)	Life (hrs.)	UPC	Pwk
S11964	18T8/LED/48-840/BP/R17D/HO	18	120-277	T8	R17d	WH	4000K	2500	82	160°	46.00	48.00	50K	045923119644	10
S11965	18T8/LED/48-865/BP/R17D/HO	18	120-277	T8	R17d	WH	6500K	2500	82	160°	46.00	48.00	50K	045923119651	10
S11966	30T8/LED/72-840/BP/R17D/HO	30	120-277	T8	R17d	WH	4000K	4200	82	160°	70.00	72.00	50K	045923119668	10
S11967	30T8/LED/72-865/BP/R17D/HO	30	120-277	T8	R17d	WH	6500K	4200	82	160°	70.00	72.00	50K	045923119675	10
S29924	40T8/LED/96-840/BP/R17D	40	120-277	T8	R17d	WH	4000K	5500	82	210°	94.00	96.00	50K	045923299247	10
S29925	40T8/LED/96-850/BP/R17D	40	120-277	T8	R17d	WH	5000K	5500	82	210°	94.00	96.00	50K	045923299254	10
S29942	40T8/LED/96-865/BP/R17D	40	120-277	T8	R17d	WH	6500K	5500	82	210°	94.00	96.00	50K	045923299421	10

Product sheet SA2611

TYPE A T5 LAMPS

Features:

- Direct replacement for linear fluorescent T5HO lamps in existing fixtures with electronic ballasts. No rewiring required
- Over 50% energy savings vs. standard T5 systems
- All glass tube
- Compatible with rapid start ballast*
- Integrated thermal fuse at pins
- Damp location
- NSF certified
- c-UL-us listed
- DLC listed
- Long life—50,000 hours
- 5 Year warranty



Item	Description	W	Bulb Shape	Base	Finish	CCT	Lm	CRI	Beam	MOL (in.)	Nominal (in.)	Life (hrs.)	UPC	Pack	
2 Ft. Lamps															
S19946	11T5/LED/22-835/DR	11	T5	G5	WH	3500	3300	82	185°	22.17	24.00	50K	045923199462	25	
S19947	11T5/LED/22-840/DR	11	T5	G5	WH	4000K	3500	82	185°	22.17	24.00	50K	045923199479	25	
S19948	11T5/LED/22-850/DR	11	T5	G5	WH	5000K	3500	82	185°	22.17	24.00	50K	045923199486	25	
4 Ft. Lamps															
S29912	25T5/LED/46-835/DR	25	T5	G5	WH	1350K	3300	82	185°	46.00	48.00	50K	045923299124	10	
S29910	25T5/LED/46-840/DR	25	T5	G5	WH	1400K	3500	82	185°	46.00	48.00	50K	045923299100	10	
S29911	25T5/LED/46-850/DR	25	T5	G5	WH	1400K	3500	82	185°	46.00	48.00	50K	045923299117	10	

*May not be compatible with all rapid start ballasts. Visit www.satco.com for an approved list.

Product sheet SA2306

LED T5 LAMPS CCT SELECTABLE



Features:

- CCT Selectable
- Single or double-ended wiring
- Frosted glass lens
- 120V-277V models available in 2', 3', and 4' lengths
- 347V model available in 4' for high voltage applications



Item	Description	W	V	Bulb Shape	Base	Finish	CCT	Lm	CRI	Beam	MOL (in.)	Nominal (in.)	Life (hrs.)	UPC	Pack
S11650	9T5/LED/24-CCT/BP/HE/SE-DE	9	120-277	T5	G5	FR	3000K-6500K	1100-1175-1200-1250-1150	82	160°	22.17	24	50K	045923116506	25
S11651	2T5/LED/36-CCT/BP/HE/SE-DE	12	120-277	T5	G5	FR	3000K-6500K	1500-1575-1600-1650-1550	82	160°	33.98	36	50K	045923116513	25
S11652	13T5/LED/48-CCT/BP/HE/SE-DE	13	120-277	T5	G5	FR	3000K-6500K	1700-1775-1800-1850-1750	82	160°	45.8	48	50K	045923116520	25
S11653	12T5/LED/24-CCT/BP/HO/SE-DE	12	120-277	T5	G5	FR	3000K-6500K	1500-1575-1600-1650-1550	82	160°	22.17	24	50K	045923116537	25
S11654	16T5/LED/36-CCT/BP/HO/SE-DE	16	120-277	T5	G5	FR	3000K-6500K	2000-2075-2100-2150-2050	82	160°	33.98	36	50K	045923116544	25
S11655	25T5/LED/48-CCT/BP/HO/SE-DE	25	120-277	T5	G5	FR	3000K-6500K	3000-3450-3500-3600-3400	82	160°	45.8	48	50K	045923116551	25
S11656	25T5/LED/48-CCT/BP/HO/DE	25	120-347V	T5	G5	FR	3000K-6500K	3000-3450-3500-3600-3400	82	160°	45.8	48	50K	045923116568	25

Product sheet SA3025

LED T5 TYPE B BALLAST BYPASS

Features:

Double or Single ended ballast bypass replacement for linear fluorescent T5 HO & HE lamps in existing fixtures.

No ballast or external driver required

Available in 2', 3' & 4'

Direct wire 120-277V line voltage

Single or double-ended wiring

All glass tube, PET-shatterproof coated

Damp location

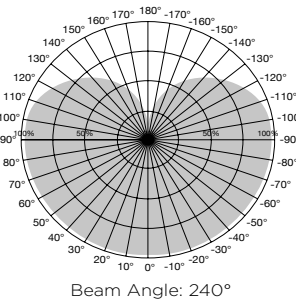
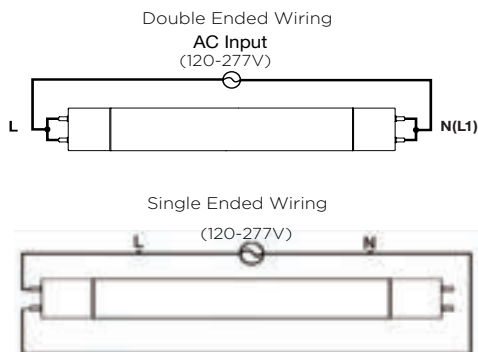
c-UL-us classified

NSF certified

DLC listed*

Long life—50,000 hours

5 Year warranty



Item	Description	W	V	Bulb Shape	Base	Finish	CCT	Lm	CRI	Beam	MOL (in.)	Nominal (in.)	Life (hrs.)	UPC	Pack
S28693	12T5/LED/24-835/BP/HO/SE-DE	12	120-277	T5	G5	WH	3500K	1400	83	240°	22.50	24.00	50K	045923286933	25
S28694	12T5/LED/24-840/BP/HO/SE-DE	12	120-277	T5	G5	WH	4000K	1450	83	240°	22.50	24.00	50K	045923286940	25
S28695	12T5/LED/24-850/BP/HO/SE-DE	12	120-277	T5	G5	WH	5000K	1500	83	240°	22.50	24.00	50K	045923286957	25
S28696	16T5/LED/36-835/BP/HO/SE-DE	16	120-277	T5	G5	WH	3500K	1800	83	240°	34.00	36.00	50K	045923286964	25
S28697	16T5/LED/36-840/BP/HO/SE-DE	16	120-277	T5	G5	WH	4000K	1850	83	240°	34.00	36.00	50K	045923286971	25
S28698	16T5/LED/36-850/BP/HO/SE-DE	16	120-277	T5	G5	WH	5000K	1900	83	240°	34.00	36.00	50K	045923286988	25
S28690◆	13T5/LED/46-835/BP/HE/SE-DE	13	120-277	T5	G5	WH	3500K	1600	83	240°	46.00	48.00	50K	045923286902	25
S28691◆	13T5/LED/46-840/BP/HE/SE-DE	13	120-277	T5	G5	WH	4000K	1650	83	240°	46.00	48.00	50K	045923286919	25
S28692◆	13T5/LED/46-850/BP/HE/SE-DE	13	120-277	T5	G5	WH	5000K	1700	83	240°	46.00	48.00	50K	045923286926	25
S39717◆	25T5/LED/46-835/BP/HO/SE-DE	25	120-277	T5	G5	WH	3500K	3200	83	240°	46.00	48.00	50K	045923397172	25
S39718◆	25T5/LED/46-840/BP/HO/SE-DE	25	120-277	T5	G5	WH	4000K	3300	83	240°	46.00	48.00	50K	045923397189	25
S39719◆	25T5/LED/46-850/BP/HO/SE-DE	25	120-277	T5	G5	WH	5000K	3400	83	240°	46.00	48.00	50K	045923397196	25
S39720	25T5/LED/46-865/BP/HO/SE-DE	25	120-277	T5	G5	WH	6500K	3400	83	240°	46.00	48.00	50K	045923397202	25

Product sheet SA2684

LED T5 MINI BI-PIN (G5) BALLAST BYPASS TYPE B

Features:

Ballast bypass replacement for mini bi-pin linear fluorescent T5 preheat lamps in existing fixtures.

No ballast or external driver required

Available in 6", 9", 12", & 21"

Direct wire 120-277V line voltage

PET Shatterproof coated

Damp location

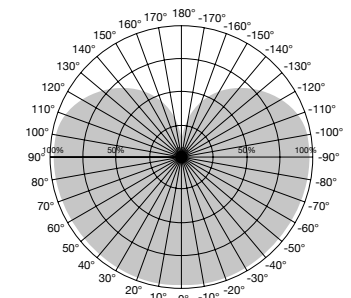
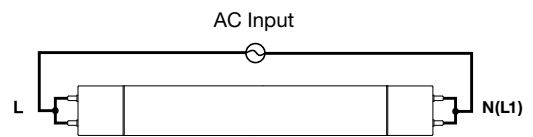
c-UL-us classified

Long life—50,000 hours

5 Year warranty



Double Ended Wiring



Beam Angle: 240°



Item	Description	W	V	Bulb Shape	Base	Finish	CCT	Lm	CRI	Beam	MOL (in.)	Nominal (in.)	Life (hrs.)	UPC	Pack
S11900	2W/LED/T5/840/BP	2	120-277	T5	G5	WH	4000K	150	82	240°	5.91	6.00	50K	045923119002	200/10
S11901	2W/LED/T5/865/BP	2	120-277	T5	G5	WH	6500K	150	82	240°	5.91	6.00	50K	045923119019	200/10
S11902	3W/LED/T5/840/BP	3	120-277	T5	G5	WH	4000K	270	82	240°	8.91	9.00	50K	045923119026	200/10
S11903	3W/LED/T5/865/BP	3	120-277	T5	G5	WH	6500K	270	82	240°	8.91	9.00	50K	045923119033	200/10
S11904	4W/LED/T5/830/BP	4	120-277	T5	G5	WH	3000K	400	82	240°	11.91	12.00	50K	045923119040	100/10
S11905	4W/LED/T5/840/BP	4	120-277	T5	G5	WH	4000K	400	82	240°	11.91	12.00	50K	045923119057	100/10
S11906	4W/LED/T5/865/BP	4	120-277	T5	G5	WH	6500K	400	82	240°	11.91	12.00	50K	045923119064	100/10
S11907	7W/LED/T5/830/BP	7	120-277	T5	G5	WH	3000K	700	82	240°	20.91	21.00	50K	045923119071	100/10
S11908	7W/LED/T5/840/BP	7	120-277	T5	G5	WH	4000K	700	82	240°	20.91	21.00	50K	045923119088	100/10
S11909	7W/LED/T5/865/BP	7	120-277	T5	G5	WH	6500K	700	82	240°	20.91	21.00	50K	045923119095	100/10

Product sheet SA2463

7W LINEAR LED T8 TYPE B BALLAST BYPASS LAMPS



Features:

F15T8 Replacement
7W, 18" LED

Works with existing sockets -
shunted or non-shunted

No ballast or external driver
required

Built-in shock resistant circuit

Direct wire 120-277V

All glass tube with PET
Shatterproof Coating

ETL Conforms to NSF
Standards

Long life—50,000 hours

5 Year warranty



Item	Description	W	V	Bulb Shape	Base	Finish	CCT	Lm	CRI	Beam	MOL (in.)	Nominal (in.)	Life (hrs.)	UPC	Pack
S11950	7T8/LED/18-830/BP	7	120-277	T8	G13	WH	3000K	700	83	160°	17.8	18.00	50K	045923119507	25
S11951	7T8/LED/18-840/BP	7	120-277	T8	G13	WH	4000K	750	83	160°	17.8	18.00	50K	045923119514	25
S11952	7T8/LED/18-865/BP	7	120-277	T8	G13	Wh	6500K	770	83	160°	17.8	18.00	50K	045923119521	25

Product sheet SA2739

LED T8 SIGN LAMPS CCT SELECTABLE



Features:

- CCT Selectable - 4000K/5000K/6500K
- Direct replacement for fluorescent high output sign lamps
- UL Type B - Ballast ballast bypass installation
- Double ended wiring for easy installation
- 14 available lengths from 18" to 120"
- Double sided LED for 360° of illumination
- 90° Rotatable R17d endcaps



ColorQuick™

Selectable Color Technology

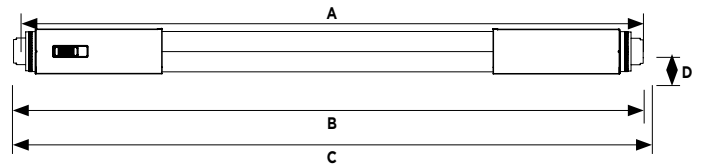
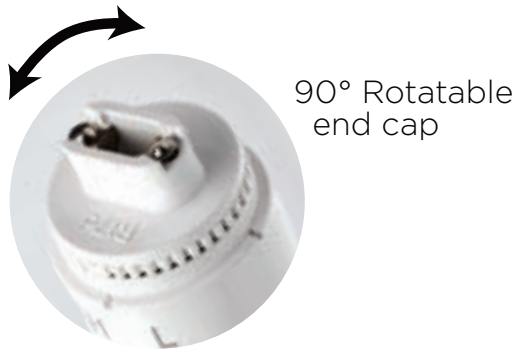
Switch to/from the following CCT

COOL WHITE - 4000K

NATURAL LIGHT - 5000K

DAYLIGHT - 6500K

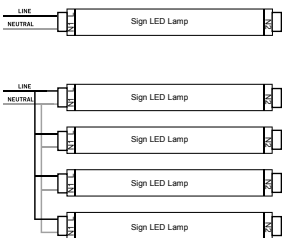
LED T8 SIGN LAMPS CCT SELECTABLE



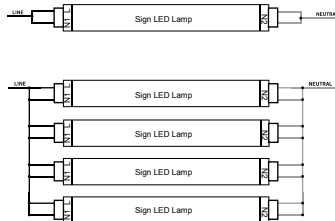
SIZE	A Length (in.)	B Length (in.)	C Length (in.)	D Length (in.)	Weight
1.5'	17.43"	17.71"	18.00"	1.00"	0.26 Lbs.
2'	23.43"	23.71"	24.00"	1.00"	0.33 Lbs.
2.5'	29.43"	29.71"	30.00"	1.00"	0.40 Lbs.
3'	35.43"	35.71"	36.00"	1.00"	0.47 Lbs.
3.5'	43.43"	43.71"	42.00"	1.00"	0.54 Lbs.
4'	47.43"	47.71"	48.00"	1.00"	0.61 Lbs.
5'	59.43"	59.71"	60.00"	1.00"	0.95 Lbs.
5.5'	63.43"	63.71"	64.00"	1.00"	1.02 Lbs.
6'	71.43"	71.71"	72.00"	1.00"	1.15 Lbs.
7'	83.43"	83.71"	84.00"	1.00"	1.35 Lbs.
8'	95.43"	95.71"	96.00"	1.00"	1.55 Lbs.
9'	107.43"	107.71"	108.00"	1.00"	1.76 Lbs.
9.5'	116.43"	116.71"	117.00"	1.00"	1.91 Lbs.
10'	119.43"	119.71"	120.00"	1.00"	1.96 Lbs.

SINGLE OR DOUBLE ENDED WIRING

SINGLE ENDED WIRING



DOUBLE ENDED WIRING



Item	Description	W	Lm	V	CCT Selectable	Nominal (in.)	UPC	Pack
516430	7T8/LED/HO-SIGN/18-3CCT/BP/SE-DE	7W	950/1000/900	120-277	4000K/5000K/6500K	18	045923164309	10
516431	9T8/LED/HO-SIGN/24-3CCT/BP/SE-DE	9W	1250/1300/1200	120-277	4000K/5000K/6500K	24	045923164316	10
516432	11T8/LED/HO-SIGN/30-3CCT/BP/SE-DE	11W	1,500/1600/1450	120-277	4000K/5000K/6500K	30	045923164323	10
516433	12T8/LED/HO-SIGN/36-3CCT/BP/SE-DE	12W	1650/1750/1600	120-277	4000K/5000K/6500K	36	045923164330	10
516434	15T8/LED/HO-SIGN/42-3CCT/BP/SE-DE	15W	2100/2200/2050	120-277	4000K/5000K/6500K	42	045923164347	10
516435	18T8/LED/HO-SIGN/48-3CCT/BP/SE-DE	18W	2500/2600/2450	120-277	4000K/5000K/6500K	48	045923164354	10
516436*	24T8/LED/HO-SIGN/60-3CCT/BP/SE-DE	24W	3350/3450/3300	120-277	4000K/5000K/6500K	60	045923164361	10
516437*	26T8/LED/HO-SIGN/64-3CCT/BP/SE-DE	26W	3650/3750/3600	120-277	4000K/5000K/6500K	64	045923164378	10
516438*	30T8/LED/HO-SIGN/72-3CCT/BP/SE-DE	30W	4200/4350/4150	120-277	4000K/5000K/6500K	72	045923164385	10
516439*	32T8/LED/HO-SIGN/84-3CCT/BP/SE-DE	32W	4500/4650/4400	120-277	4000K/5000K/6500K	84	045923164392	10
516440*	36T8/LED/HO-SIGN/96-3CCT/BP/SE-DE	36W	5000/5200/4900	120-277	4000K/5000K/6500K	96	045923164408	10
516441*	42T8/LED/HO-SIGN/108-3CCT/BP/SE-DE	42W	5800/6000/5700	120-277	4000K/5000K/6500K	108	045923164415	10
516442*	45T8/LED/HO-SIGN/117-3CCT/BP/SE-DE	45W	6300/6500/6200	120-277	4000K/5000K/6500K	117	045923164422	10
516443*	48T8/LED/HO-SIGN/120-3CCT/BP/SE-DE	48W	6700/6900/6600	120-277	4000K/5000K/6500K	120	045923164439	10

*All items 60" and up (S16436 - S16443) must be ordered and shipped in full cases only (order in multiples of 10pcs)

Product sheet SA2969

LED U-BEND LAMPS CCT SELECTABLE



Features:

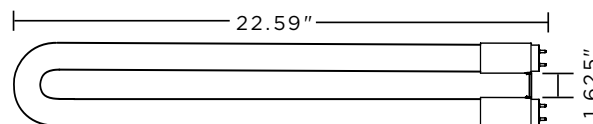
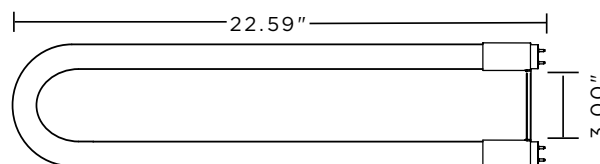
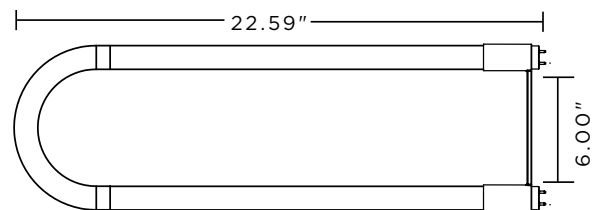
- CCT Selectable
- Direct replacement for fluorescent U-bend lamps
- Dual mode models compatible with ballast or in ballast bypass configurations
- Shatterproof tube
- Single or double-ended wiring when installed for ballast bypass operation
- Compatible with select emergency backup and dimming ballasts
- 5 year warranty

LED U-BEND LAMPS CCT SELECTABLE

NEUTRAL WHITE - 3500K

COOL WHITE - 4000K

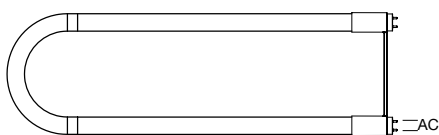
NATURAL LIGHT - 5000K



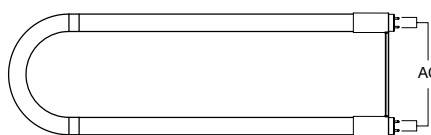
Wiring-Ballast Compatible Type A

- Compatible with emergency and dimming ballasts*
- For instant start ballasts on the approved list, ensure that LED/fluorescent sockets are wired in a shunt configuration according to manufacturer's wiring diagram.
- For rapid start ballasts on the approved list, non-shunted LED/fluorescent sockets are needed and must be wired according to manufacturer's wiring diagram.

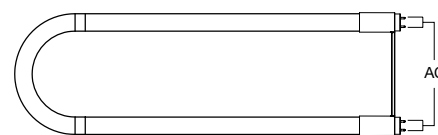
Wiring Options-Ballast Bypass Type B - 120-277V



Single Ended – Non-Shunted Sockets



Double Ended – Non-Shunted Sockets



Double Ended – Shunted Sockets

System Performance Chart

Bare Lamp (Rated)		Bare Lamp Wattage			System Wattage			Initial Lumens			Lifetime		
Nominal Wattage	Nominal Lumens	LBF (0.78)	NBF (0.88)	HBF (1.18)	LBF (0.78)	NBF (0.88)	HBF (1.18)	LBF (0.78)	NBF (0.88)	HBF (1.18)	LBF (0.78)	NBF (0.88)	HBF (1.18) [†]
13	2000	11.0	13.0	18	14.0	16.0	21.0	1750	2000	2600	>50Khrs	>50Khrs	<50Khrs

LED U-Bend Lamps



Item	Description	Lm	W	Input Current @120V/277V	Ballast Type	CCT	Size	DLC ID	UPC	Pack
S18410	13T8/U6/LED/CCT/DUAL	1900/1975/1950	13W	0.11-0.05A	Dual Mode - Type A & B	3500/4000/5000K	6"	S-R4NQ0V	045923184109	12
S18412	13T8/U3/LED/CCT/BP	1850/1950/1950	13W	0.11-0.05A	Ballast Bypass - Type B	3000/4000/5000K	3"	--	045923184123	12
S18411	13T8/U1/LED/CCT/DUAL	1900/1975/1950	13W	0.11-0.05A	Dual Mode - Type A & B	3500/4000/5000K	1"	S-KA0DXR	045923184116	24

DLC Primary Use: Dual Mode Internal Driver (UL Type A and Type B) *May not be compatible with all ballasts.

Please see Satco.com for an approved list.

*Lamps are cULus Listed when ballast compatible. **Lamps are cULus Classified when ballast is bypassed.

Product sheet SA2955

LED T8 DUAL MODE TYPE A+B 6" U-BEND LAMPS



Features:

- Direct replacements for fluorescent u-bend lamps in existing fixtures with or without ballasts
- Up to 60% energy savings vs. Standard T8 systems
- Ballast compatible* and ballast bypass in one lamp
- Bypass mode works in single or double ended wiring^{††}
- Protection from arcing^{***}
- Shatterproof plastic
- 5 Year warranty



WIRING OPTIONS-BALLAST BYPASS^{††} TYPE B - 120-277V

Wiring-Ballast Compatible Type A

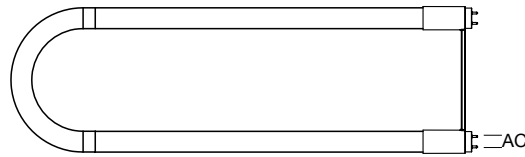
Compatible with emergency and dimming ballasts*

For instant start ballasts on the approved list, ensure that LED fluorescent sockets are wired in a shunt configuration according to manufacturer's wiring diagram.

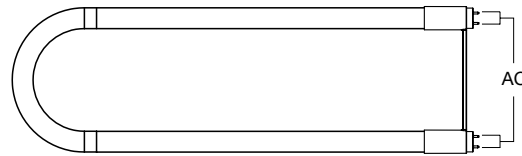
For rapid start ballasts on the approved list, non-shunted LED/fluorescent sockets are needed and must be wired according to manufacturer's wiring diagram.

Wiring-Ballast Bypass Type B - 120-277V

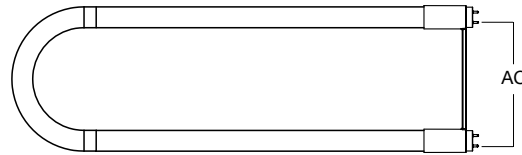
Single Ended —
Non-Shunted Sockets



Double Ended —
Non-Shunted Sockets



Double Ended —
Shunted Sockets



Item	Description	W	Bulb Shape	Base	Finish	CCT	Lm	CRI	Beam	MOL (in.)	Nominal (in.)	Life (hrs.)	UPC	Pack
S11970	13T8U6/LED/22.5-830/DUAL	13	T8	G13	WH	3000K	1900	83	160°	22.50	22.50	50K	045923119705	12
S11971	13T8U6/LED/22.5-835/DUAL	13	T8	G13	WH	3500K	1950	83	160°	22.50	22.50	50K	045923119712	12
S11972	13T8U6/LED/22.5-840/DUAL	13	T8	G13	WH	4000K	2000	83	160°	22.50	22.50	50K	045923119729	12
S11973	13T8U6/LED/22.5-850/DUAL	13	T8	G13	WH	5000K	2000	83	160°	22.50	22.50	50K	045923119736	12

*May not be compatible with all instant start, rapid start, dimmable and emergency ballasts. Visit www.satco.com for an approved list.



Item	Description	W	V	Bulb Shape	Base	Finish	CCT	Lm	CRI	Beam	MOL (in.)	Nominal (in.)	Life (hrs.)	UPC	Pack
S11970	13T8U6/LED/22.5-830/DUAL	13	120-277	T8	G13	WH	3000K	1900	83	160°	22.50	22.50	50K	045923119705	12
S11971	13T8U6/LED/22.5-835/DUAL	13	120-277	T8	G13	WH	3500K	1950	83	160°	22.50	22.50	50K	045923119712	12
S11972	13T8U6/LED/22.5-840/DUAL	13	120-277	T8	G13	WH	4000K	2000	83	160°	22.50	22.50	50K	045923119729	12
S11973	13T8U6/LED/22.5-850/DUAL	13	120-277	T8	G13	WH	5000K	2000	83	160°	22.50	22.50	50K	045923119736	12

** Bypass mode works wired as a single ended lamp on non-shunted sockets or as a double ended lamp on either shunted or non-shunted sockets.

***Power must be turned off prior to installing lamps. Sockets must be in good working order, not broken, cracked or electrically compromised. If arcing occurs at the lamp pin, thermal fuse may activate to avoid overheating of lamp.

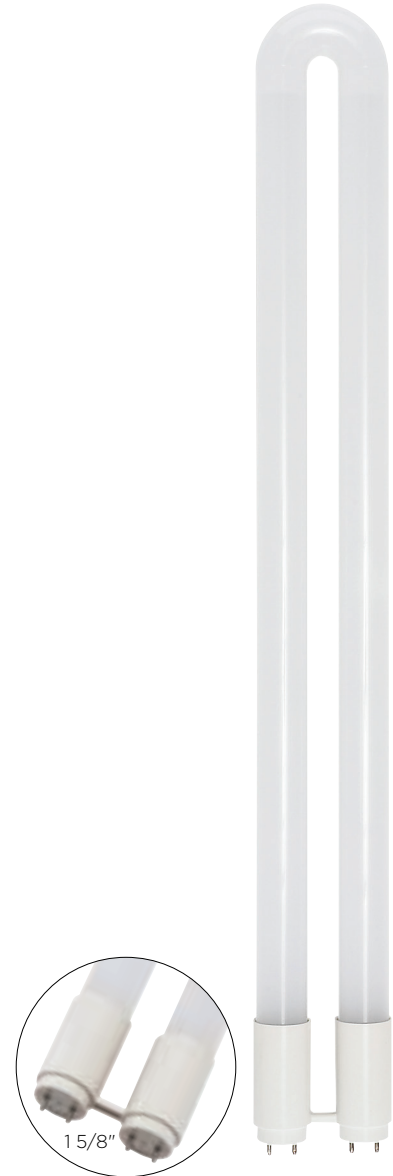
†LED tube life will change with ballast factor, configurations producing ballast factors above 1.18 are not allowed. Visit www.satco.com for warranty conditions.

Product sheet SA2510

LED T8 DUAL MODE (BALLAST BYPASS TYPE B/ BALLAST COMPATIBLE TYPE A) 1-5/8" U-BEND LAMPS

Features:

- Direct replacements for fluorescent T8 u-bend lamps in existing fixtures with or without ballasts.
- Over 50% energy savings vs. standard T8 systems
- Ballast compatible and ballast bypass in one lamp
- Bypass mode works in single or double ended wiring*
- Protection from arcing
- 120-277V in bypass mode
- Damp location
- NSF certified
- DLC 5.1 listed
- C-UL-us listed—ballast compatible
- c-UL-us Classified—ballast bypass
- Long life—50,000 hours
- 5 Year warranty



Ballast Compatible



Item	Description	W	Bulb Shape	Base	Finish	CCT	Lm	CRI	Beam	MOL (in.)	Nominal (in.)	Life (hrs.)	UPC	Pack
S18450	13T8/UI-G13/LED/830/DUAL	13	T8	G13	WH	3000K	1800	80	160°	22.59	22.50	50K	045923184505	24
S18451	13T8/UI-G13/LED/835/DUAL	13	T8	G13	WH	3500K	1800	80	160°	22.59	22.50	50K	045923184512	24
S18452	13T8/UI-G13/LED/840/DUAL	13	T8	G13	WH	4000K	1900	80	160°	22.59	22.50	50K	045923184529	24
S18453	13T8/UI-G13/LED/850/DUAL	13	T8	G13	WH	5000K	2000	80	160°	22.59	22.50	50K	045923184536	24

*May not be compatible with all instant start, rapid start, dimmable, and emergency ballasts. Visit www.satco.com for an approved list.

Product sheet SA2462

Ballast Bypass



Item	Description	W	V	Bulb Shape	Base	Finish	CCT	Lm	CRI	Beam	MOL (in.)	Nominal (in.)	Life (hrs.)	UPC	Pack
S18450	13T8/UI-G13/LED/830/DUAL	13	120-277	T8	G13	WH	3000K	1800	80	160°	22.59	22.50	50K	045923184505	24
S18451	13T8/UI-G13/LED/835/DUAL	13	120-277	T8	G13	WH	3500K	1800	80	160°	22.59	22.50	50K	045923184512	24
S18452	13T8/UI-G13/LED/840/DUAL	13	120-277	T8	G13	WH	4000K	1900	80	160°	22.59	22.50	50K	045923184529	24
S18453	13T8/UI-G13/LED/850/DUAL	13	120-277	T8	G13	WH	5000K	2000	80	160°	22.59	22.50	50K	045923184536	24

Product sheet SA2462

8" AND 12" T9 LED BALLAST BYPASS TYPE B CIRCLINE LAMPS

Features:

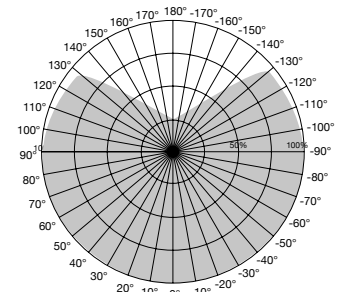
- No ballast or external driver required
- Over 40% energy savings vs. standard T9 systems
- Replaces 22W and 32W fluorescent Circlines
- 120-277V (direct wire)
- Damp location
- NSF certified
- c-ETL-us listed
- Long life—50,000 hours
- 5 Year warranty



8"-11 Watt



12"-16 Watt



Beam Angle: 135°



Item	Description	W	V	Bulb Shape	Base	Finish	CCT	Lm	CRI	Beam	MOL (in.)	Life (hrs.)	UPC	Pack
S16500	FC8T9/LED/CIR/830/BP	11	120-277	T9	G10q	WH	3000K	1100	80	135°	8.00	50K	045923165009	12
S16501	FC8T9/LED/CIR/840/BP	11	120-277	T9	G10q	WH	4000K	1210	80	135°	8.00	50K	045923165016	12
S16502	FC8T9/LED/CIR/865/BP	11	120-277	T9	G10q	WH	6500K	1210	80	135°	8.00	50K	045923165023	12
S16503	FC12T9/LED/CIR/830/BP	16	120-277	T9	G10q	WH	3000K	1600	80	135°	12.00	50K	045923165030	12
S16504	FC12T9/LED/CIR/840/BP	16	120-277	T9	G10q	WH	4000K	1760	80	135°	12.00	50K	045923165047	12
S16505	FC12T9/LED/CIR/865/BP	16	120-277	T9	G10q	WH	6500K	1760	80	135°	12.00	50K	045923165054	12

Product sheet SA2461

LINEAR LED T8 & T5HO TYPE C SYSTEM

Features:

Dedicated LED linear lamps and driver system with integral 0-10V dimming. For retrofit and installation in new fixtures

Driver footprint matches ballast footprint

High efficiency

Compatible with instant start wiring

Low flicker design

120-277V, 0-10V Dimming

3000, 3500, 4000, 5000K

82 CRI

All glass lamps, damp rated

DLC listed

Built-in surge protection

50,000 hour life

5 Year warranty

Applications:

Replacement of existing Linear Fluorescent lamps and ballast commonly found in commercial and industrial sites, and new installations

Satco Type C systems include:

Dedicated LED lamp and driver system

DLC rated for use in utility programs

Linear LED
T8 Type C

Linear LED
T5 Type C



S8012
1-2 Lamp driver



S8013
3-4 Lamp driver



S8014
1-2 Lamp driver



S8015
3-4 Lamp driver

Note: Fluorescent lamps are not compatible with Type C drivers

LINEAR LED T8 & T5 TYPE C SYSTEM



Item	Description	W	Bulb Shape	Base	Finish	CCT	Lm	CRI	Beam	MOL (in.)	Nominal (in.)	Life (hrs.)	UPC	Pack
2FT														
S11930	8T8/LED/24-830/XD	8	T8	G13	WH	3000K	1200	82	220°	24.00	24.00	50K	045923119309	25
S11931	8T8/LED/24-835/XD	8	T8	G13	WH	3500K	1200	82	220°	24.00	24.00	50K	045923119316	25
S11932	8T8/LED/24-840/XD	8	T8	G13	WH	4000K	1200	82	220°	24.00	24.00	50K	045923119323	25
S11933	8T8/LED/24-850/XD	8	T8	G13	WH	5000K	1200	82	220°	24.00	24.00	50K	045923119330	25
3FT														
S11934	11T8/LED/36-830/XD	11	T8	G13	WH	3000K	1600	82	220°	36.00	36.00	50K	045923119347	25
S11935	11T8/LED/36-835/XD	11	T8	G13	WH	3500K	1600	82	220°	36.00	36.00	50K	045923119354	25
S11936	11T8/LED/36-840/XD	11	T8	G13	WH	4000K	1600	82	220°	36.00	36.00	50K	045923119361	25
S11937	11T8/LED/36-850/XD	11	T8	G13	WH	5000K	1600	82	220°	36.00	36.00	50K	045923119378	25
4FT														
S11938	12T8/LED/48-830/XD	12	T8	G13	WH	3000K	1800	82	220°	48.00	48.00	50K	045923119385	25
S11939	12T8/LED/48-835/XD	12	T8	G13	WH	3500K	1800	82	220°	48.00	48.00	50K	045923119392	25
S11940	12T8/LED/48-840/XD	12	T8	G13	WH	4000K	1800	82	220°	48.00	48.00	50K	045923119408	25
S11941	12T8/LED/48-850/XD	12	T8	G13	WH	5000K	1800	82	220°	48.00	48.00	50K	045923119415	25

Product sheet SA2613

LED T8 Type C drivers

Item	Description	Lamps driven	V in	V out	Current in 120V	Current in 277V	Current out 120V, 277V	Freq. input HZ	Power factor 120V	Power factor 277V	Operating temp.	Storage temp.	UPC
S8012	LED driver/ 2', 3', 4'/Type C/T8	1, 2	120-277	24-48	300	130	290	50/60	0.95	0.93	-20° to 55°C	-40° to 85°C	045923090127
S8013	LED driver/ 2', 3', 4'/Type C/T8	3, 4	120-277	24-48	590	230	290	50/60	0.95	0.93	-20° to 55°C	-40° to 85°C	045923090134

Product sheet SA2613



Item	Description	W	Bulb Shape	Base	Finish	CCT	Lm	CRI	Beam	MOL (in.)	Nominal (in.)	Life (hrs.)	UPC	Pack
4FT T5														
S11942	23T5/LED/48-835/XD	23	T5	G5	WH	3500K	3400	82	220°	48.00	48.00	50K	045923119422	25
S11943	23T5/LED/48-840/XD	23	T5	G5	WH	4000K	3400	82	220°	48.00	48.00	50K	045923119439	25
S11944	23T5/LED/48-850/XD	23	T5	G5	WH	5000K	3400	82	220°	48.00	48.00	50K	045923119446	25

Product sheet SA2613

LED T5 Type C drivers

Item	Description	Lamps driven	V in	V out	Current in 120V	Current in 277V	Current out 120V, 277V	Freq. input HZ	Power factor 120V	Power factor 277V	Operating temp.	Storage temp.	UPC	Pack
S8014	LED driver/4'/ Type C/T5	1, 2	120-277	30-48	540	240	530	50/60	0.95	0.93	-20° to 55°C	-40° to 85°C	045923080142	25
S8015	LED driver/4'/ Type C/T5	3, 4	120-277	30-45	1020	450	530	50/60	0.98	0.96	-20° to 55°C	-40° to 85°C	045923080159	25

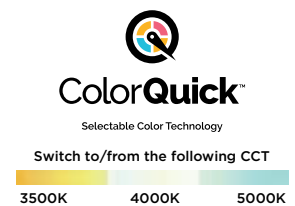
Product sheet SA2613

LED T8 LAMPS WITH BATTERY BACKUP



Features:

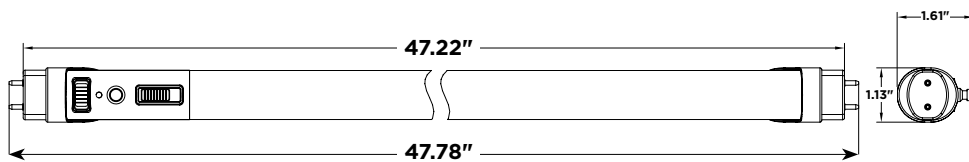
- Provides up to 90 minutes of illumination during power outages
- Battery on/off switch conserves battery after installation*
- Integrated aluminum Heatsink to promote heat dissipation
- Features ColorQuick technology, allowing for easy selection of CCT at installation
- 5 Year warranty



LED T8 LAMPS WITH BATTERY BACKUP



- Ballast Bypass - Direct Wire 120V - 277V
- Non-Shunted Sockets



DIMENSIONAL DIAGRAM



Item	Description	W	V	Lm	Battery Wattage	Battery Lumens	CCT	UPC	Pack
S11730	15T8/LED/48-CCT/EM/BP	15	120-277	1850/2000/1900	3.5W	500	3500K/4000K/5000K	045923117305	20
S11731	17T8/LED/48-CCT/EM/BP	17	120-277	2100/2300/2200	5W	700	3500K/4000K/5000K	045923117312	20

Product sheet SA3002

TYPE B LED EMERGENCY BACK-UP FOR LED T8 AND T5 BALLAST BYPASS LAMPS

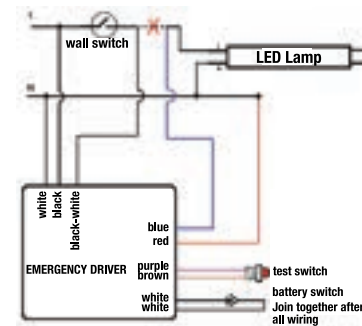
Features:

- 5 Watt or 10 Watt output power options
- Driver type: Constant wattage LED emergency
- Approximate lumens output 500lms-1000lms
- LED test switch and indicator light included
- Operating frequency: 50/60 Hz
- Max. current: 100mA@120v / 215mA@120v
- 1.8 Watt standby power
- 90 minute battery run time
- Output and over-power protection
- Recharge 24 hours max
- Lithium Ion battery
- 120-277V input
- Damp location
- 32°F-122°F (0°C-50°C) Operating temperature
- 5 Year warranty

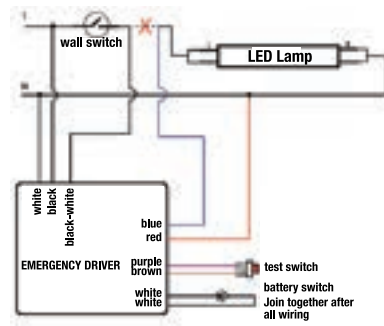


Wiring Instructions

Single Ended Wiring



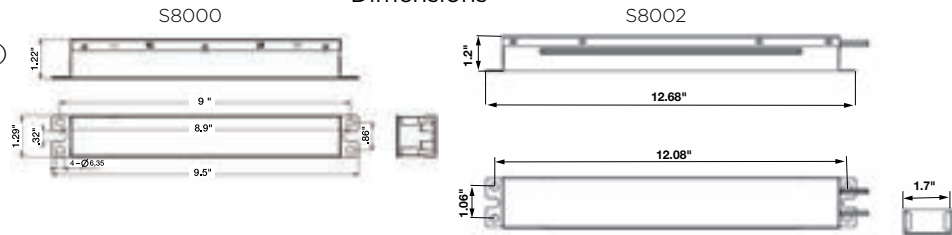
Double Ended Wiring



Compatibility:

- Satco 4' T8 (S9720-S9723)
- Satco U-Bend (S9930-S9933)
- Satco 4' T5 LED bypass lamps (S29717-S29719)
- Satco 2G11 PL-L (S9950-9951)
- Satco 2' T8 (S29900-S29905)
- Satco 4' T8 (S11924, S29913-S29916)
- Satco 3' T8 (S29926-S29929)
- Satco 4' T8 (S29904-S29907)

Dimensions



Accessories:

Driver Enclosure sold separately (80-973)



Item	Description	Watts	Voltage	M.O.L. (Inches)	Max. Current	Dimensions	Power Factor	UPC	Pack
S8000	5W Emergency LED driver	5	120-277	9.5"	100mA@120V	1.3"W x 1.22"H x 9.5"L	70.35	045923080005	25
S8002	10W Emergency LED driver	10	120-277	12.68"	215mA@120V	1.7"W x 1.20"H x 12.68"L	70.35	045923080029	12

Meets UL924, CEC Title 20, FCC15 Part 15 Class A, Compliance.

Product sheet SA2363

INDEX

Item	Page	Item	Page	Item	Page	Item	Page
80-929	65, 136, 137, 140, 141	S8544	61	S9031	40	S9499	99
80-954	135, 140, 141	S8545	61	S9032	40	S9542	104
80-955	135	S8564	55	S9033	40	S9543	104
80-956	135, 140, 141	S8565	55	S9064	40	S9544	104
80-957	140, 141	S8566	59	S9065	40	S9545	104
80-974	117	S8567	59	S9067	40	S9546	104
80-975	117	S8568	59	S9068	40	S9547	104
80-976	117	S8570	61	S9150	37	S9550	97
80-977	117	S8571	61	S9151	37	S9551	97
80-978	117	S8572	40	S9152	37	S9552	99
80-979	117	S8573	40	S9153	37	S9553	99
80-980	125	S8585	97	S9154	37	S9577	31
80-981	125	S8588	100	S9155	37	S9578	31
80-982	125	S8589	100	S9156	37	S9579	31
80-983	125	S8600	104	S9157	37	S9583	31
80-2626	177	S8601	104	S9158	37	S9584	31
80-2627	177	S8603	101	S9159	37	S9588	31
80-2628	177	S8604	101	S9160	37	S9590	41
80-2629	177	S8605	101	S9161	37	S9591	41
86-215	137	S8635	99	S9162	37	S9592	41
92-410	65, 136, 137	S8636	99	S9163	37	S9594	43
93-5005	148	S8637	99	S9164	37	S9598	127
93-5006	148	S8638	99	S9165	37	S9599	127
93-5007	148	S8639	99	S9166	37	S9616	99
93-5034	148	S8640	99	S9167	37	S9620	77
93-5035	148	S8641	99	S9168	37	S9621	77
D2100	48	S8642	99	S9169	37	S9622	77
D2104	48	S8643	99	S9170	37	S9623	77
D2105	48	S8644	99	S9171	37	S9624	77
D2106	60	S8676	100	S9172	37	S9627	77
D2107	60	S8677	100	S9173	37	S9630	77
S8000	202	S8678	100	S9174	37	S9631	77
S8002	202	S8679	100	S9175	37	S9632	77
S8012	199	S8688	105	S9176	37	S9633	77
S8013	199	S8689	105	S9177	37	S9634	79
S8014	199	S8735	65	S9200	69	S9635	79
S8015	199	S8736	65	S9201	69	S9636	79
S8021	29	S8737	65	S9202	69	S9637	79
S8022	29	S8738	65	S9203	69	S9638	79
S8023	29	S8745	157	S9280	97	S9639	79
S8024	29	S8746	157	S9281	97	S9640	79
S8025	29	S8747	157	S9282	97	S9641	79
S8026	29	S8748	157	S9283	97	S9698	78
S8027	29	S8749	157	S9316	61	S9703	43
S8189	72	S8755	157	S9317	61	S9704	43
S8190	72	S8756	157	S9318	61	S9707	43
S8191	72	S8757	157	S9319	61	S9708	43
S8480	43	S8758	157	S9380	100	S9709	43
S8481	43	S8759	157	S9381	100	S9729	126
S8482	43	S8778	65	S9382	100	S9753	136
S8489	55	S8779	65	S9383	100	S9754	136
S8490	59	S8791	65	S9384	100	S9755	136
S8499	55	S8792	65	S9385	100	S9779	136
S8530	159	S8890	180	S9386	97	S9828	12
S8531	159	S8891	180	S9387	97	S9854	158
S8532	159	S8892	180	S9388	97	S9855	158
S8533	159	S8893	180	S9389	97	S9856	158
S8534	159	S8914	43	S9490	99	S9857	158
S8535	159	S8915	43	S9491	99	S9862	158
S8536	159	S8916	43	S9492	99	S9863	158
S8537	159	S8920	43	S9493	99	S9864	158
S8538	159	S8950	69	S9494	99	S9865	158
S8539	159	S8951	69	S9495	99	S9873	31
S8542	61	S8952	69	S9496	99	S9950	162
S8543	61	S8953	69	S9497	99	S9951	162
		S9030	40	S9498	99	S9952	162
						S9953	162
						S9966	33
						S9967	33
						S9968	33
						S9969	33
						S9970	33
						S9971	33
						S9980	103
						S9981	103
						S9982	103
						S9983	103
						S9986	31
						S9987	31
						S11210	105
						S11211	105
						S11212	105
						S11213	105
						S11214	105
						S11215	105
						S11216	105
						S11217	105
						S11218	68
						S11219	68
						S11220	107
						S11221	107
						S11222	107
						S11223	107
						S11224	68
						S11225	68
						S11230	106
						S11231	106
						S11232	106
						S11233	106
						S11234	106
						S11235	106
						S11236	106
						S11237	106
						S11238	106
						S11239	106
						S11300	25
						S11301	25
						S11302	25
						S11303	25
						S11304	25
						S11305	25
						S11306	25
						S11307	25
						S11308	26
						S11310	54
						S11311	54
						S11320	41
						S11321	41
						S11329	62
						S11330	62
						S11331	62
						S11332	62
						S11333	77
						S11334	99
						S11335	99
						S11336	99
						S11340	99
						S11341	99
						S11342	99
						S11343	99
						S11344	15
						S11345	15

Item	Page	Item	Page	Item	Page	Item	Page	Item	Page
S11346.....	15	S11455.....	54	S11655.....	186	S11902.....	188	S12116.....	15
S11355.....	6	S11456.....	54	S11730.....	201	S11903.....	188	S12117.....	15
S11356.....	6	S11457.....	54	S11731.....	201	S11904.....	188	S12118.....	15
S11357.....	7	S11458.....	46	S11740.....	165	S11905.....	188	S12244.....	96
S11358.....	7	S11459.....	46	S11741.....	165	S11906.....	188	S12245.....	96
S11359.....	7	S11465.....	63	S11742.....	165	S11907.....	188	S12246.....	96
S11360.....	7	S11466.....	63	S11743.....	165	S11908.....	188	S12247.....	96
S11361.....	7	S11467.....	63	S11744.....	171	S11909.....	188	S12400.....	5
S11362.....	7	S11468.....	51	S11745.....	171	S11910.....	175	S12401.....	5
S11383.....	15	S11469.....	51	S11746.....	171	S11911.....	175	S12402.....	5
S11384.....	15	S11470.....	79	S11747.....	171	S11912.....	175	S12403.....	5
S11385.....	15	S11471.....	79	S11750.....	183	S11913.....	175	S12404.....	5
S11389.....	99	S11472.....	79	S11751.....	183	S11914.....	175	S12405.....	5
S11390.....	99	S11473.....	79	S11752.....	183	S11915.....	175	S12406.....	5
S11391.....	99	S11474.....	79	S11753.....	183	S11916.....	175	S12407.....	5
S11392.....	99	S11477.....	17	S11754.....	183	S11917.....	175	S12408.....	6
S11393.....	99	S11478.....	17	S11755.....	183	S11918.....	163	S12409.....	6
S11394.....	99	S11480.....	63	S11760.....	179	S11920.....	174	S12410.....	6
S11395.....	99	S11481.....	63	S11761.....	179	S11921.....	174	S12411.....	6
S11396.....	99	S11482.....	63	S11762.....	179	S11922.....	174	S12412.....	6
S11397.....	99	S11483.....	63	S11763.....	179	S11923.....	174	S12413.....	6
S11398.....	99	S11484.....	63	S11764.....	167	S11926.....	184	S12414.....	6
S11399.....	99	S11485.....	63	S11765.....	167	S11927.....	184	S12415.....	6
S11400.....	49	S11486.....	95	S11766.....	167	S11928.....	163	S12416.....	6
S11401.....	49	S11487.....	95	S11767.....	167	S11930.....	199	S12417.....	6
S11402.....	41	S11488.....	95	S11770.....	39	S11931.....	199	S12418.....	6
S11403.....	41	S11490.....	61	S11771.....	39	S11932.....	199	S12419.....	6
S11404.....	41	S11491.....	61	S11772.....	39	S11933.....	199	S12420.....	6
S11405.....	41	S11492.....	61	S11773.....	39	S11934.....	199	S12421.....	6
S11406.....	43	S11493.....	61	S11774.....	39	S11935.....	199	S12422.....	7
S11407.....	43	S11494.....	95	S11775.....	39	S11936.....	199	S12423.....	7
S11408.....	43	S11495.....	95	S11776.....	39	S11937.....	199	S12424.....	7
S11409.....	43	S11496.....	95	S11777.....	39	S11938.....	199	S12425.....	7
S11410.....	49	S11497.....	95	S11778.....	75	S11939.....	199	S12426.....	7
S11411.....	49	S11498.....	95	S11779.....	75	S11940.....	199	S12427.....	7
S11412.....	49	S11499.....	95	S11780.....	75	S11941.....	199	S12428.....	7
S11413.....	49	S11540.....	73	S11781.....	75	S11942.....	199	S12429.....	7
S11414.....	45	S11541.....	73	S11790.....	39	S11943.....	199	S12430.....	7
S11415.....	45	S11542.....	73	S11791.....	39	S11944.....	199	S12431.....	7
S11416.....	45	S11543.....	73	S11792.....	39	S11950.....	189	S12432.....	7
S11417.....	45	S11550.....	156	S11793.....	39	S11951.....	189	S12433.....	7
S11422.....	58, 59	S11551.....	156	S11794.....	39	S11952.....	189	S12434.....	7
S11423.....	58, 59	S11552.....	156	S11795.....	39	S11953.....	177	S12435.....	7
S11424.....	58, 59	S11553.....	156	S11796.....	39	S11954.....	177	S12436.....	7
S11425.....	58, 59	S11554.....	156	S11800R1.....	111	S11955.....	177	S12437.....	7
S11427.....	53	S11580.....	81	S11801R1.....	111	S11956.....	177	S12438.....	7
S11428.....	53	S11581.....	81	S11820R1.....	111	S11957.....	184	S12439.....	7
S11429.....	53	S11582.....	81	S11821R1.....	111	S11958.....	184	S12440.....	7
S11430.....	46	S11583.....	81	S11822.....	111	S11959.....	184	S12441.....	7
S11431.....	46	S11584.....	81	S11824.....	111	S11960.....	169	S12442.....	7
S11432.....	46	S11585.....	81	S11825R1.....	111	S11961.....	169	S12443.....	7
S11433.....	46	S11586.....	81	S11832.....	113	S11962.....	169	S12444.....	9
S11434.....	45	S11587.....	81	S11833.....	113	S11963.....	169	S12445.....	9
S11435.....	45	S11588.....	81	S11834.....	113	S11964.....	185	S12446.....	9
S11437.....	55	S11589.....	81	S11835.....	113	S11965.....	185	S12447.....	9
S11438.....	55	S11590.....	81	S11836.....	113	S11966.....	185	S12448.....	9
S11440.....	71	S11591.....	81	S11837.....	113	S11967.....	185	S12449.....	9
S11441.....	71	S11640.....	121	S11844.....	117	S11968.....	163	S12450.....	9
S11442.....	71	S11641.....	121	S11845.....	117	S11970.....	195	S12451.....	9
S11445.....	57	S11642.....	119	S11846.....	123	S11971.....	195	S12452.....	9
S11446.....	57	S11643.....	119	S11854.....	115	S11972.....	195	S12460.....	6
S11447.....	60	S11644.....	119	S11855.....	115	S11973.....	195	S12461.....	6
S11448.....	60	S11645.....	119	S11856.....	115	S11974.....	181	S12462.....	6
S11450.....	41	S11650.....	186	S11857.....	115	S11975.....	181	S12463.....	6
S11451.....	41	S11651.....	186	S11858.....	115	S11976.....	181	S12464.....	6
S11452.....	41	S11652.....	186	S11859.....	115	S11977.....	181	S12465.....	6
S11453.....	41	S11653.....	186	S11900.....	188	S11978.....	173	S12466.....	6
S11454.....	54	S11654.....	186	S11901.....	188	S12115.....	15	S12467.....	6

Item	Page	Item	Page	Item	Page	Item	Page	Item	Page
S13118	138	S18800	109	S21261	13	S21332	26	S21813	11
S13119	138	S18801	109	S21262	15	S21333	26	S21814	11
S13120	140	S18802	109	S21263	15	S21334	26	S21815	11
S13121	140	S18803	109	S21264	15	S21335	26	S21816	11
S13122	140	S19946	185	S21265	15	S21336	26	S21817	15
S13127	140	S19947	185	S21266	15	S21337	26	S21818	15
S13130	129	S19948	185	S21267	15	S21338	26	S21819	15
S13131	129	S21200	11	S21268	15	S21339	26	S21820	15
S13132	129	S21201	11	S21269	15	S21340	26	S21821	15
S13133	129	S21202	11	S21270	15	S21341	26	S21822	15
S13134	129	S21203	11	S21271	15	S21342	26	S21823	15
S13135	129	S21204	11	S21272	15	S21343	26	S21824	15
S13136	129	S21205	11	S21273	15	S21344	27	S21825	15
S13146	139	S21206	11	S21274	15	S21345	27	S21826	15
S13150	145	S21207	11	S21275	15	S21346	27	S21827	15
S13151	145	S21208	11	S21276	15	S21347	27	S21828	15
S13152	145	S21209	11	S21277	15	S21348	27	S21829	15
S13153	145	S21210	11	S21278	15	S21349	27	S21830	15
S13154	145	S21211	11	S21279	15	S21350	27	S21831	15
S13155	145	S21212	11	S21280	15	S21351	27	S21832	19
S13159	151	S21213	11	S21281	15	S21352	27	S21833	19
S13160	67	S21214	11	S21282	19	S21353	27	S21834	19
S13161	67	S21215	11	S21283	19	S21354	27	S21835	19
S13162	67	S21216	11	S21284	19	S21355	27	S21836	19
S13163	67	S21217	11	S21285	19	S21356	27	S21837	19
S13164	67	S21218	11	S21286	19	S21357	27	S21838	19
S13165	67	S21219	11	S21287	19	S21358	27	S21839	21
S13166	67	S21220	11	S21288	19	S21359	27	S21840	21
S13167	67	S21221	11	S21289	19	S21360	27	S21841	21
S14984	50	S21222	11	S21290	19	S21361	27	S21842	21
S14985	50	S21223	11	S21291	19	S21362	27	S21843	21
S14986	50	S21224	11	S21292	19	S21363	27	S21844	21
S14987	50	S21225	11	S21293	19	S21364	27	S21845	21
S14988	50	S21226	12	S21294	21	S21365	27	S21846	21
S14989	50	S21227	12	S21295	21	S21366	15	S21847	21
S14990	50	S21228	12	S21296	21	S21367	15	S21848	23
S16430	191	S21229	12	S21297	21	S21368	19	S21849	23
S16431	191	S21230	12	S21298	21	S21369	19	S21850	23
S16432	191	S21231	12	S21299	21	S21370	27	S21851	23
S16433	191	S21232	12	S21300	21	S21371	27	S21852	23
S16434	191	S21233	12	S21301	21	S21372	27	S21853	23
S16435	191	S21234	12	S21302	21	S21373	27	S21854	26
S16436	191	S21235	12	S21303	21	S21374	27	S21855	26
S16437	191	S21236	12	S21304	21	S21375	27	S21856	26
S16438	191	S21237	12	S21305	21	S21376	27	S21857	26
S16439	191	S21238	12	S21306	21	S21377	27	S21858	26
S16440	191	S21239	12	S21307	21	S21378	27	S21859	26
S16441	191	S21240	12	S21308	21	S21379	27	S21860	27
S16442	191	S21241	12	S21309	21	S21410	160	S21861	27
S16443	191	S21242	12	S21310	23	S21411	160	S21862	27
S16500	197	S21243	12	S21311	23	S21412	160	S21863	27
S16501	197	S21244	12	S21312	23	S21413	161	S21864	27
S16502	197	S21245	12	S21313	23	S21414	161	S21865	27
S16503	197	S21246	12	S21314	23	S21415	161	S21866	27
S16504	197	S21247	12	S21315	23	S21741	101	S21867	27
S16505	197	S21248	13	S21316	23	S21742	101	S21868	27
S18400	155	S21249	13	S21317	23	S21743	101	S21869	27
S18401	155	S21250	13	S21318	23	S21800	42	S21870	27
S18402	155	S21251	13	S21319	23	S21801	42	S21871	5
S18403	155	S21252	13	S21320	23	S21802	42	S21872	5
S18404	155	S21253	13	S21321	23	S21803	42	S21873	5
S18410	193	S21254	13	S21323	54	S21804	42	S21874	5
S18411	193	S21255	13	S21324	54	S21805	42	S21924	169
S18412	193	S21256	13	S21325	54	S21806	42	S21925	184
S18450	196	S21257	13	S21327	58	S21807	42	S22210	87
S18451	196	S21258	13	S21328	58	S21810	11	S22211	87
S18452	196	S21259	13	S21330	26	S21811	11	S22212	87
S18453	196	S21260	13	S21331	26	S21812	11	S22213	87

Item	Page	Item	Page	Item	Page	Item	Page	Item	Page
S22214.....	87	S28576.....	69	S29403.....	83	S29625.....	77	S39313.....	119
S22215.....	87	S28577.....	77	S29404.....	83	S29626.....	77	S39314.....	119
S22216.....	87	S28578.....	77	S29405.....	83	S29628.....	78	S39315.....	119
S22217.....	87	S28579.....	77	S29406.....	83	S29629.....	47	S39596.....	45
S22218.....	87	S28580.....	79	S29407.....	83	S29697.....	104	S39597.....	45
S22219.....	87	S28593.....	41	S29408.....	83	S29699.....	47	S39679.....	137
S22240.....	91	S28594.....	41	S29409.....	83	S29760.....	91	S39717.....	187
S22241.....	91	S28595.....	69	S29410.....	84	S29761.....	91	S39718.....	187
S22242.....	91	S28596.....	77	S29411.....	84	S29764.....	91	S39719.....	187
S22243.....	91	S28597.....	79	S29412.....	84	S29765.....	91	S39720.....	187
S22250.....	91	S28602.....	104	S29413.....	84	S29804.....	54	S39750.....	137
S22251.....	91	S28617.....	69	S29414.....	84	S29805.....	58	S39751.....	137
S22252.....	91	S28618.....	69	S29415.....	84	S29806.....	70	S39752.....	137
S22253.....	91	S28619.....	77	S29416.....	84	S29807.....	70	S39768.....	137
S22430.....	35	S28650.....	54	S29417.....	84	S29810.....	54	S39769.....	137
S22431.....	35	S28652.....	58	S29418.....	84	S29811.....	54	S39798.....	137
S22432.....	35	S28653.....	58	S29419.....	84	S29812.....	54	S39799.....	137
S22433.....	35	S28680.....	104	S29420.....	84	S29813.....	54	S39879.....	6
S22703.....	25	S28681.....	104	S29421.....	84	S29814.....	54	S39900.....	169
S22707.....	25	S28682.....	104	S29422.....	84	S29815.....	58	S39901.....	169
S22712.....	25	S28683.....	104	S29423.....	84	S29816.....	58	S39902.....	169
S22713.....	25	S28684.....	105	S29424.....	84	S29817.....	58	S39903.....	169
S23140.....	131	S28685.....	105	S29425.....	84	S29818.....	58	S39904.....	169
S23141.....	131	S28686.....	105	S29426.....	84	S29819.....	58	S39905.....	169
S23142.....	131	S28687.....	105	S29427.....	84	S29830.....	41	S39906.....	169
S23143.....	131	S28690.....	187	S29428.....	84	S29831.....	41	S39907.....	169
S23144.....	131	S28691.....	187	S29429.....	84	S29832.....	41	S39913.....	169
S23145.....	131	S28692.....	187	S29430.....	84	S29833.....	41	S39914.....	169
S23146.....	131	S28693.....	187	S29431.....	84	S29834.....	41	S39915.....	169
S23147.....	131	S28694.....	187	S29432.....	84	S29835.....	43	S39916.....	169
S23148.....	131	S28695.....	187	S29433.....	84	S29836.....	43	S39926.....	169
S23149.....	131	S28696.....	187	S29434.....	84	S29837.....	43	S39927.....	169
S23150.....	131	S28697.....	187	S29435.....	84	S29838.....	43	S39928.....	169
S23151.....	131	S28698.....	187	S29436.....	84	S29839.....	43	S39929.....	169
S23152.....	131	S28725.....	155	S29437.....	84	S29840.....	43	S49390.....	133
S23160.....	135	S28726.....	155	S29438.....	84	S29841.....	43	S49391.....	133
S23161.....	135	S28727.....	155	S29439.....	84	S29842.....	43	S49392.....	133
S23162.....	135	S28728.....	155	S29440.....	85	S29843.....	43	S49393.....	133
S23163.....	135	S28729.....	155	S29441.....	85	S29844.....	43	S49394.....	133
S23164.....	135	S28765.....	54	S29442.....	85	S29850.....	158	S49395.....	133
S23165.....	135	S28766.....	54	S29443.....	85	S29851.....	158	S49396.....	133
S23166.....	135	S28767.....	54	S29444.....	85	S29852.....	158	S49397.....	133
S23167.....	135	S28768.....	54	S29445.....	85	S29853.....	158	S49670.....	133
S23168.....	135	S28769.....	55	S29446.....	85	S29858.....	158	S49671.....	133
S23403.....	25	S28770.....	55	S29447.....	85	S29859.....	158	S49672.....	133
S23407.....	25	S28785.....	58	S29448.....	85	S29860.....	158	S49673.....	133
S23412.....	25	S28786.....	58	S29449.....	85	S29861.....	158	S49674.....	133
S23413.....	25	S28787.....	58	S29450.....	85	S29877.....	15	S49675.....	133
S25011.....	44	S28788.....	58	S29451.....	85	S29878.....	12	S49676.....	133
S25012.....	44	S28789.....	59	S29452.....	85	S29910.....	185	S49677.....	133
S28483.....	54	S28790.....	59	S29453.....	85	S29911.....	185	S49738.....	133
S28484.....	54	S28928.....	143	S29454.....	85	S29912.....	185	S49739.....	133
S28485.....	54	S28929.....	143	S29455.....	85	S29917.....	184	S49934.....	165
S28486.....	58	S28930.....	143	S29456.....	85	S29918.....	184	S49935.....	165
S28487.....	58	S28931.....	141	S29457.....	85	S29919.....	184	S49936.....	165
S28488.....	58	S28932.....	141	S29480.....	89	S29924.....	185	S49937.....	165
S28491.....	77	S28937.....	141	S29481.....	89	S29925.....	185	S49946.....	165
S28492.....	77	S28938.....	141	S29482.....	89	S29942.....	185	S49947.....	165
S28493.....	79	S28976.....	153	S29483.....	89	S33112.....	147	S49948.....	165
S28547.....	77	S28980.....	143	S29484.....	89	S33113.....	147	S49949.....	165
S28557.....	41	S28987.....	143	S29558.....	45	S33114.....	147	S49975.....	165
S28558.....	41	S29004.....	102	S29589.....	45	S33115.....	147	S49976.....	165
S28560.....	45	S29005.....	102	S29593.....	43	S33116.....	147	S49977.....	165
S28561.....	45	S29188.....	93	S29595.....	43	S33117.....	147	S49978.....	165
S28562.....	45	S29189.....	93	S29614.....	77	S38939.....	149	S49990.....	165
S28563.....	45	S29400.....	83	S29615.....	79	S38946.....	149	S49991.....	165
S28574.....	69	S29401.....	83	S29618.....	69	S38975.....	149	S49992.....	165
S28575.....	69	S29402.....	83	S29619.....	69	S39312.....	119	S49993.....	165



To learn more about Satco | Nuvo,
visit satco.com or contact 800-437-2826.

DISTRIBUTION CENTERS

New York (Headquarters)

110 Heartland Blvd., Brentwood, NY 11717
Tel. 631-243-2022, Fax: 631-243-2027

Texas

2000 Valwood Parkway, Farmers Branch, TX 75234
Tel. 972-247-2437, Fax: 972-247-5408

Florida

1694 NW 215th Street, Miami Gardens, FL 33056
Tel. 305-624-2044, Fax: 305-623-0286

California

31288 San Benito Street, Hayward, CA 94544
Tel. 510-487-4822, Fax: 510-487-8955

Washington

4710 116th S.W., Mukilteo, WA 98275
Tel. 425-789-3300, Fax: 425-789-3310

Puerto Rico

Campeche Street. 23 Julio
N. Matos Industrial Park, Carolina, PR 00984
Tel. 787-757-3510, Fax: 787-757-3540

Products inventoried in Canada & Mexico:

Contact: internationalsales@satco.com
631-243-2022 Ext. 315